



PARTS CATALOG

Published

2009/6 (Jun.)

0CNP3-G67600

Specifications :

Model			Ke-170H	Ke-200H	
Drive system			4-wheel drive		
Dimensions	Overall length *1		mm	2326	2326
	Overall width *2		mm	1196	1196
	Overall height *3		mm	1265	1265
	Wheelbase		mm	1473	1473
	Tread	Front	mm	878	878
		Rear	mm	880	880
Ground clearance		mm	231	231	
Weight			kg	750	750
Engine	Make		Yanmar		
	Model		3TNA72	3TNE74	
	Type		Vertical 4-cycle water-cooled diesel		
	Output(SAE Gross)		hp/rpm	17/2450	20/2550
	No. of cylinders		3		
	Displacement		cc	879	1006
	Type of air cleaner		Dry(dual)		
	Fuel tank capacity		ℓ	22	22
	Battery capacity		V-AH	12V-36AH	12V-36H
Steering	Type		Hydrostatic power		
Clutch	Type		None		
Brake	Type		Wet disc		
Transmission	Type		Hydrostatic transmission (2 ranges)		
	Max. traveling speed		km/hr	20.9	21.2
	Travel speed	Forward	km/hr	0-19.4	0-19.6
		Reverse	km/hr	0-6.7	0-6.8
Tire	Turf standard	Front, Rear	23 x 8.50-12, 315/75D-15		
	AG standard	Front, Rear	5.00-12, 9.5-16		
P.T.O.	Rear P.T.O. type		SAE 1-3/8, independent		
	Speed	Front	rpm	None	None
		Mid	rpm	2100	2100
		Rear	rpm	540	
Hydraulic hitch system	Type		Hydraulic position control		
	Hitch		3 point hitch, SAE 1		
	Lift capacity		kg	520	520
	Drawbar		Yes		
Optional attachments			Front bumper weights, rear-wheel weights, cabin, front 3 point hitch, Dual-speed turn(Fe series), tools and jack		

*1:w/o 3P, *2:min. tread, *3:top of steering wheel

Note:This is a preliminary brochure and subject to change without notice.

CONTENTS

MODEL : KE-170H,200H
PC NO : 0CNP3-G67600

Fig.No. GROUP NAME

ENGINE UNIT(3TNA72,E

1. CYLINDER BLOCK
2. GEAR HOUSING
3. MOUNTING FLANGE & OIL SUMP
4. CYLINDER HEAD & BONNET
5. SUCTION MANIFOLD & AIR CREANER
6. EXHAUST MANIFOLD & SILENCER
7. CAMSHAFT & DRIVING GEAR
8. CRANKSHAFT & PISTON
9. LUBRICATING OIL SYSTEM
10. COOLING WATER SYSTEM
11. FUEL OIL INJECTION PUMP
12. GOVERNOR
13. FUEL OIL INJECTION VALVE
14. FUEL OIL LINE
15. STARTING MOTOR
16. GENERATOR

ENGINE CONTROL UNIT

17. ENGINE ACCESSORIES
18. ACCELERATOR LEVER
19. FUEL TANK
20. BELT COVER

FRONT AXLE SECTION

21. FRONT BRACKET
22. TIE ROD
23. DRIVE PINION
24. PROPELLER SHAFT
25. FRONT AXLE CASE

Fig.No. GROUP NAME

26. FRONT GEAR CASE
27. INPUT SHFT
28. FRONT SPINDLE
29. SHAFT COVER
30. FRONT WHEEL TIRE
31. STEERING & PST VALVE
32. P.S.T CYLINDER
33. P.S.T. PIPING

TRANSMISSION UNIT

34. CLUTCH HOUSING
35. TRANSMISSION CASE
36. CENTER PLATE
37. INPUT SHAFT
38. MAIN SHAFT
39. COUNTER SHAFT
40. P.T.O.DRIVE SHAFT
41. P.T.O CLUTCH SHAFT
42. P.T.O.SHAFT
43. MID-P.T.O SHAFT
44. P.T.O INARSHAR BRAKE
45. CHECK CONTROL
46. SUB-CHANGE
47. P.T.O.CHANGE
48. FRONT DRIVE&FRONT SHIFT
49. CONTROL
50. CENTER CASE
51. POWER PUMP
52. PUMP & MOTOR

CONTENTS

MODEL : KE-170H,200H
PC NO : 0CNP3-G67600

Fig.No. GROUP NAME

REAR AXLE SECTION

- 53. RING GEAR & DIFFERENTIAL GEAR
- 54. REAR HOUSING
- 55. DIFFERENTIAL LOCK
- 56. FINAL PINION
- 57. REAR WHEEL TIRE
- 58. HI-DORO PEDAL
- 59. CRUISE CONTROL
- 60. DISK BRAKE
- 61. BRAKE PEDAL

HYDRAULIC CONTROL UN

- 62. HYDRAULIC CYLINDER CASE
- 63. PISTON&LIFT CRANK
- 64. CONTROL VALVE
- 65. RELEF VALVE
- 66. HYDRAULIC CONTOR
- 67. HYDRAULIC PIPING

ELECTRICAL PARTS SEC

- 68. WIRE HARNESS
- 69. BATTERY
- 70. SWITCHES
- 71. LAMP
- 72. METER
- 73. HORN & RELAY

FITTING SECTION

- 74. BONNET
- 75. DASHBOARD

Fig.No. GROUP NAME

- 76. FENDER
- 77. STEP
- 78. OPERATOR SEAT
- 79. LABELS
- 80. LABEL

HITCH SECTION

- 81. PTO GUARD & SHAFT COVER
- 82. THREE POINTS HITCH
- 83. DRAW BAR HITCH
- 84. ROPS

OPTIONAL PARTS UNIT

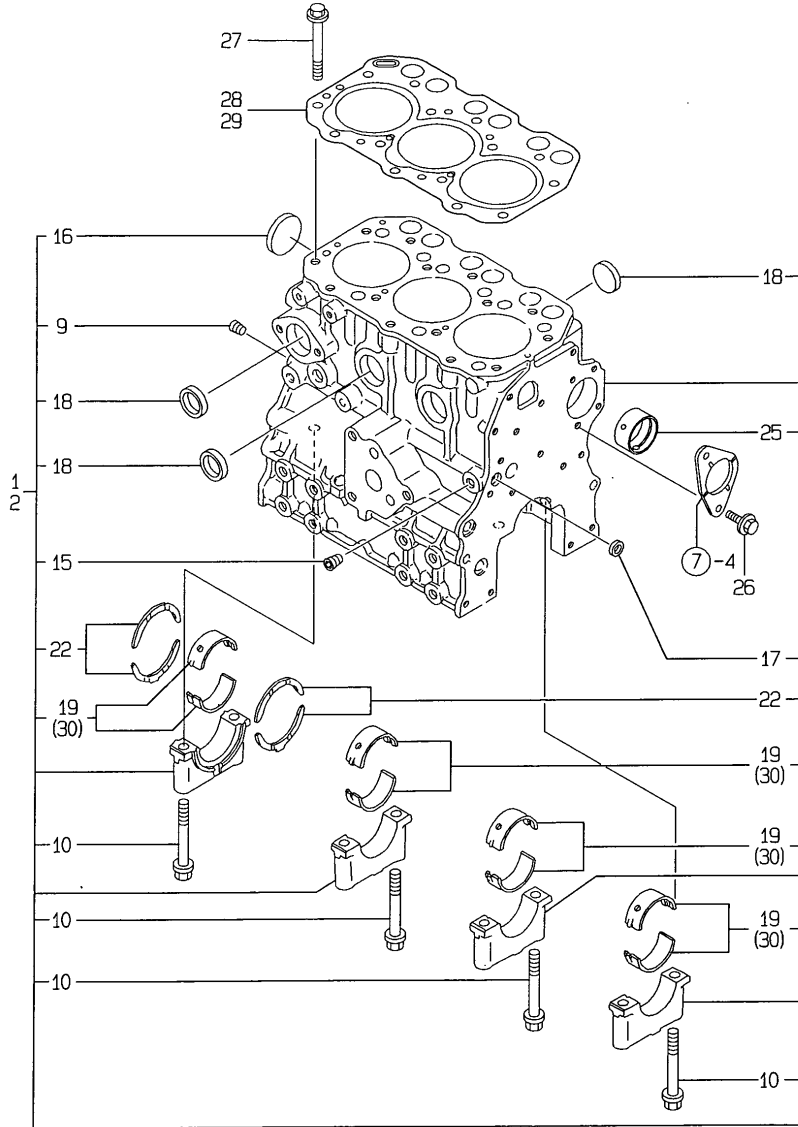
- 85. OPTION
- 86. SUB BALVE
- 87. REAR HYDRAULIC

PARTS OF FIELD SUPPL

- 88. SEAT(PARTS OF FIELD SUPPLY
- 89. SAFETY FRAME(PARTS OF FIELD SU

Fig.1. CYLINDER BLOCK

1. CYLINDER BLOCK



Remarks
 (1) UNDER-SIZE(U.S=0.25)PART.
 (REMARKS)"EFFECTIVE MACHINE NO." OF
 ENGINE IS INDICATED ON THE
 ENGINE LABEL WHICH IS SHOWN
 IN FIG.4.

OCNP3-G67600 1. CYLINDER BLOCK

(A)=3TNA72-UTR
 (B)=3TNE74-UTR
 (C)=

(D)=
 (E)=
 (F)=

REF.	LEV.	PARTS NO.	DESCRIPTION	QTY						I	R	
				(A)	(B)	(C)	(D)	(E)	(F)			
1	1	719610-01560	BLOCK ASSY, CYLINDER	1								
2	1	719623-01560	BLOCK ASSY, CYLINDER		1							
9	2	119600-01050	PLUG PT1/4	1	1							
10	2	119620-02020	BOLT	8	8							
15	2	23871-010000	PLUG PT1/8,SCREW	1	1							
16	2	27231-450000	PLUG 45	1	1							
17	2	27241-120000	PLUG 12	1	1							
18	2	27241-300000	PLUG 30	6	6							
19	2	719620-02800	MAIN BEARING	4	4							
22	2	719620-02930	BEARING, THRUST	2	2							
25	2	119624-02410	BUSH	1	1							
26	1	26106-060122	BOLT M 6X 12 PLATED	2	2							
27	1	119620-01200	BOLT, CYLINDER HEAD	14	14							
28	1	119620-01343	GASKET, CYL.HEAD	1								
29	1	119623-01330	GASKET, CYL. HEAD		1							
30	1	719620-02870	MAIN BEARING US=0.25	4	4							1

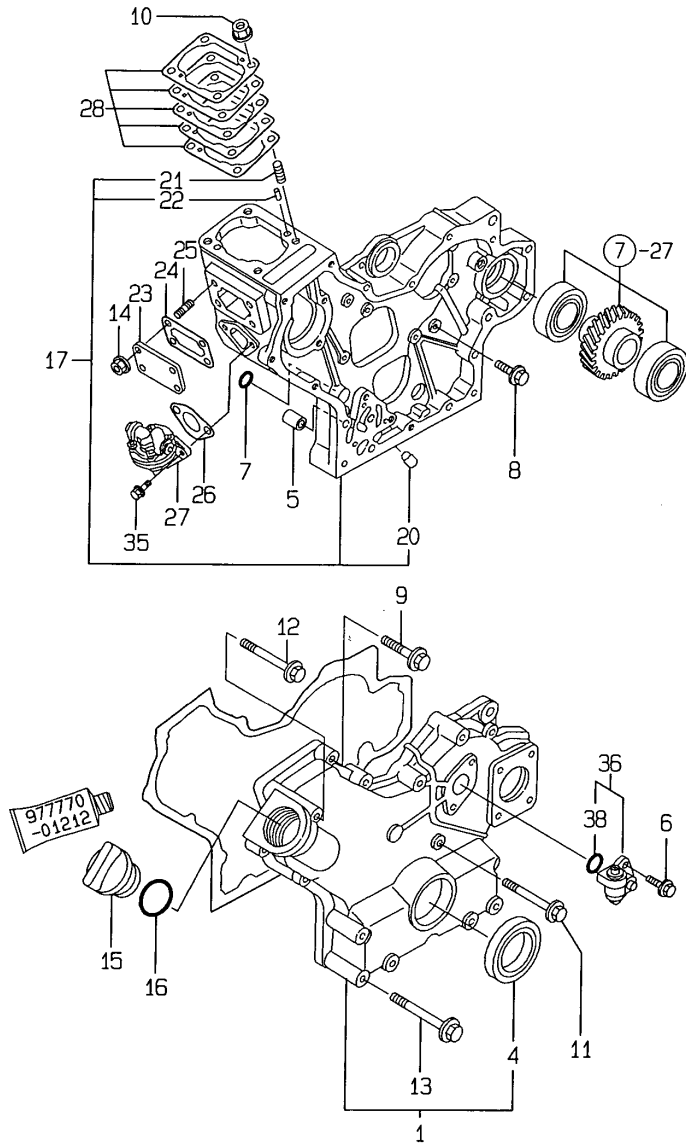
Fig.2. GEAR HOUSING

OCNP3-G67600 2. GEAR HOUSING

(A)=3TNA72-UTR
(B)=3TNE74-UTR
(C)=

(D)=
(E)=
(F)=

2. GEAR HOUSING

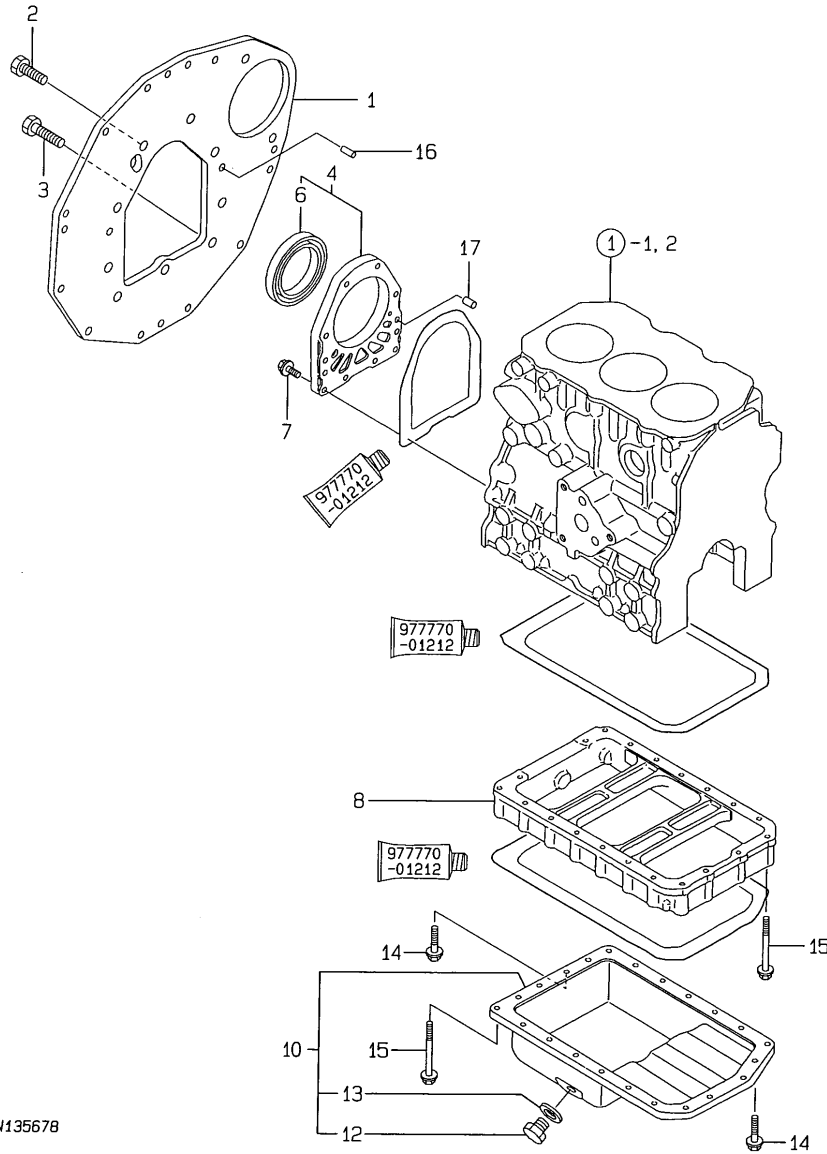


REF.	LEV.	PARTS NO.	DESCRIPTION	QTY						I	R
				(A)	(B)	(C)	(D)	(E)	(F)		
1	1	119660-01590	COVER ASSY, HOUSING	1	1						
4	2	119620-01800	SEAL HTC456208, OIL	1	1						
5	1	119660-01911	PIPE, KNOCK	4	4						
6	1	26106-060162	BOLT M 6X 16 PLATED	2	2						
7	1	119624-32040	O-RING P 12.0	2	2						
8	1	26106-060162	BOLT M 6X 16 PLATED	7	7						
9	1	26106-060302	BOLT M 6X 30 PLATED	6	6						
10	1	194990-22050	NUT W/WASHER 8	4	4						
11	1	26106-060602	BOLT M 6X 60 PLATED	3	3						
12	1	26106-060602	BOLT M 6X 60 PLATED	1	1						
13	1	26106-060802	BOLT M 6X 80 PLATED	6	6						
14	1	26366-060002	NUT M 6	4	4						
15	1	124160-01751	CAP, LUB.OIL SUPPLY	1	1						
16	1	24311-000320	O-RING 1A P-32.0	1	1						
17	1	119660-01492	HOUSING ASSY, GEAR	1	1						
20	2	119660-01510	PLUG 10X14	1	1						
21	2	121450-01560	STUD M 8X 22	4	4						
22	2	22351-040010	SPRING PIN 4X10	2	2						
23	1	119660-01551	COVER	1	1						
24	1	119660-01562	GASKET, (NON-ASB.)	1	1						
25	1	119660-01570	STUD M6X12	4	4						
26	1	121520-01851	GASKET, (NON-ASB.)	1	1						
27	1	119660-52020	PUMP,FEED	1	1						
28	1	119623-01950	SHIM PACK	1	1						
35	1	26014-060202	BOLT M 6X 20	2	2						
36	1	129150-91400	GEAR UNIT,TACHOMETER	1	1						
38	2	24341-000240	O-RING 1A S-24.0	1	1						

Remarks
(REMARKS)"EFFECTIVE MACHINE NO." OF
ENGINE IS INDICATED ON THE
ENGINE LABEL WHICH IS SHOWN
IN FIG.4.

Fig.3. MOUNTING FLANGE & OIL SUMP

3. MOUNTING FLANGE & OIL SUMP



N135678

Remarks
 (REMARKS)"EFFECTIVE MACHINE NO." OF
 ENGINE IS INDICATED ON THE
 ENGINE LABEL WHICH IS SHOWN
 IN FIG.4.

OCNP3-G67600 3. MOUNTING FLANGE & OIL SUMP

(A)=3TNA72-UTR
 (B)=3TNE74-UTR
 (C)=

(D)=
 (E)=
 (F)=

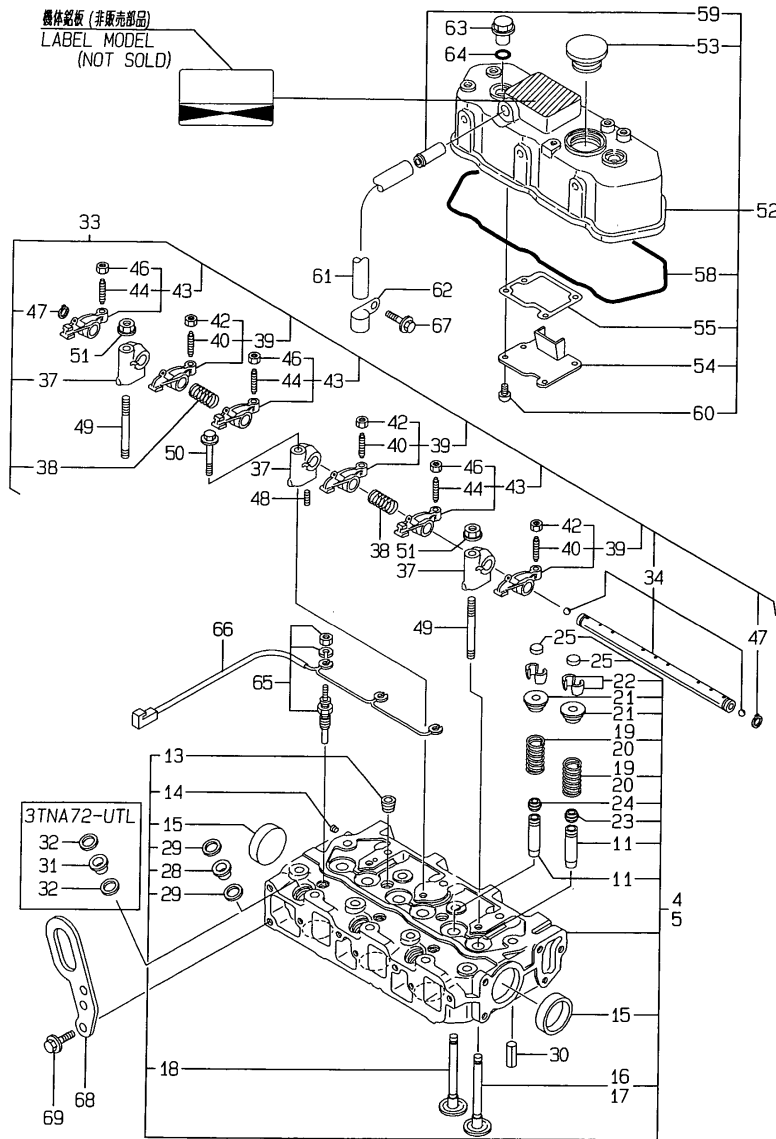
REF.	LEV.	PARTS NO.	DESCRIPTION	QTY						I	R
				(A)	(B)	(C)	(D)	(E)	(F)		
1	1	119626-01600	FLANGE, MOUNTING	1	1						
2	1	26076-100222	BOLT 10* 22	6	6						
3	1	26076-100252	BOLT 10.9 10X25	3	3						
4	1	119660-01640	CASE ASSY, OIL SEAL	1	1						
6	2	124085-02220	SEAL, OIL	1	1						
7	1	26106-060222	BOLT M 6X 22 PLATED	10	10						
8	1	119600-01722	SPACER, OIL SUMP	1	1						
10	1	119650-01770	PAN, LUB OIL	1	1						
12	2	23887-120002	PLUG 12,HEX.	1	1						
13	2	22190-120002	SEAL WASHER 12	1	1						
14	1	26106-060122	BOLT M 6X 12 PLATED	3	3						
15	1	26106-060452	BOLT M 6X 45 PLATED	20	20						
16	1	129100-01580	PARALLEL PIN 8X16	2	2						
17	1	119620-01620	PARALLEL PIN 6X10	2	2						

Fig.4. CYLINDER HEAD & BONNET

(A)=3TNA72-UTR
(B)=3TNE74-UTR
(C)=

(D)=
(E)=
(F)=

4. CYLINDER HEAD & BONNET



Remarks
(1) REPAIR PART.
(REMARKS)"EFFECTIVE MACHINE NO." OF
ENGINE IS INDICATED ON THE
ENGINE LABEL WHICH IS SHOWN
IN FIG.4.

REF.	LEV.	PARTS NO.	DESCRIPTION	QTY						I	R
				(A)	(B)	(C)	(D)	(E)	(F)		
4	1	719660-11702	HEAD ASSY, CYLINDER	1							
5	1	119626-11000	HEAD ASSY, CYLINDER		1						
11	2	119620-11801	GUIDE, VALVE	6	6						1
13	2	23871-020000	PLUG PT1/4,SCREW	2	2						
14	2	27221-050080	PLUG 5X 8	1	1						
15	2	27241-400000	PLUG 40	2	2						
16	2	119620-11100	VALVE, SUCTION	3							
17	2	119623-11100	VALVE, INTAKE		3						
18	2	119620-11110	VALVE, EXHAUST	3	3						
19	2	119660-11120	SPRING, VALVE	6							
20	2	119620-11120	SPRING, VALVE		6						
21	2	119620-11180	RETAINER, SPRING	6	6						
22	2	27310-070000	COTTER 7	6	6						
23	2	124160-11340	SEAL, VALVE STEM	3	3						
24	2	124950-11340	SEAL, VALVE STEM	3	3						
25	2	104211-11370	CAP, VALVE	6	6						
28	2	119600-11450	PROTECTOR, NOZZLE		3						
29	2	119600-11460	GASKET, NOZZLE		6						
30	1	22351-060012	SPRING PIN 6X12	2	2						
31	1	119600-11450	PROTECTOR, NOZZLE	3							
32	1	119600-11460	GASKET, NOZZLE	6							
33	1	119620-11200	SUPPORT ASSY, ARM	1	1						
34	2	119620-11240	SHAFT ASSY, ROCKER	1	1						
37	2	119620-11260	SUPPORT, ROCKER ARM	3	3						
38	2	119620-11280	SPRING	2	2						
39	2	719620-11650	ARM ASSY, ROCKER	3	3						
40	3	105010-11230	SCREW, VALVE	3	3						
42	3	26856-060002	LOCK NUT 6	3	3						
43	2	719620-11660	ARM ASSY, ROCKER	3	3						
44	3	105010-11230	SCREW, VALVE	3	3						
46	3	26856-060002	LOCK NUT 6	3	3						
47	2	22242-000120	CIRCLIP 12	2	2						
48	2	26979-050162	SCREW M 5X16	1	1						
49	1	119620-11350	STUD	2	2						
50	1	26106-080452	BOLT M 8X 45 PLATED	1	1						
51	1	26366-080002	NUT M 8	2	2						
52	1	119657-11350	BONNET ASSY	1	1						
53	2	119807-11770	CAP, LUB.OIL SUPPLY	1	1						
54	2	119620-03020	PLATE, SHELTER	1	1						
55	2	119620-03031	GASKET, (NON-ASB.)	1	1						
58	2	119620-11310	GASKET, BONNET	1	1						
59	2	118400-03060	JOINT, BREATHER	1	1						
60	2	22857-500100	SCREW 5X10,TAPPING	4	4						
61	1	23065-120500	PIPE, VINYL 12X 500	1	1						
62	1	124160-01650	CLAMP	1	1						
63	1	124160-11360	KNOB	2	2						
64	1	24311-000120	O-RING 1A P 12.0	2	2						
65	1	129155-77801	PLUG, GLOW	3	3						
66	1	119645-77820	CONNECTOR, GLOW PLUG	1	1						
67	1	26106-080122	BOLT M 8X 12 PLATED	1	1						
68	1	119260-07900	LIFTER, ENGINE	1	1						

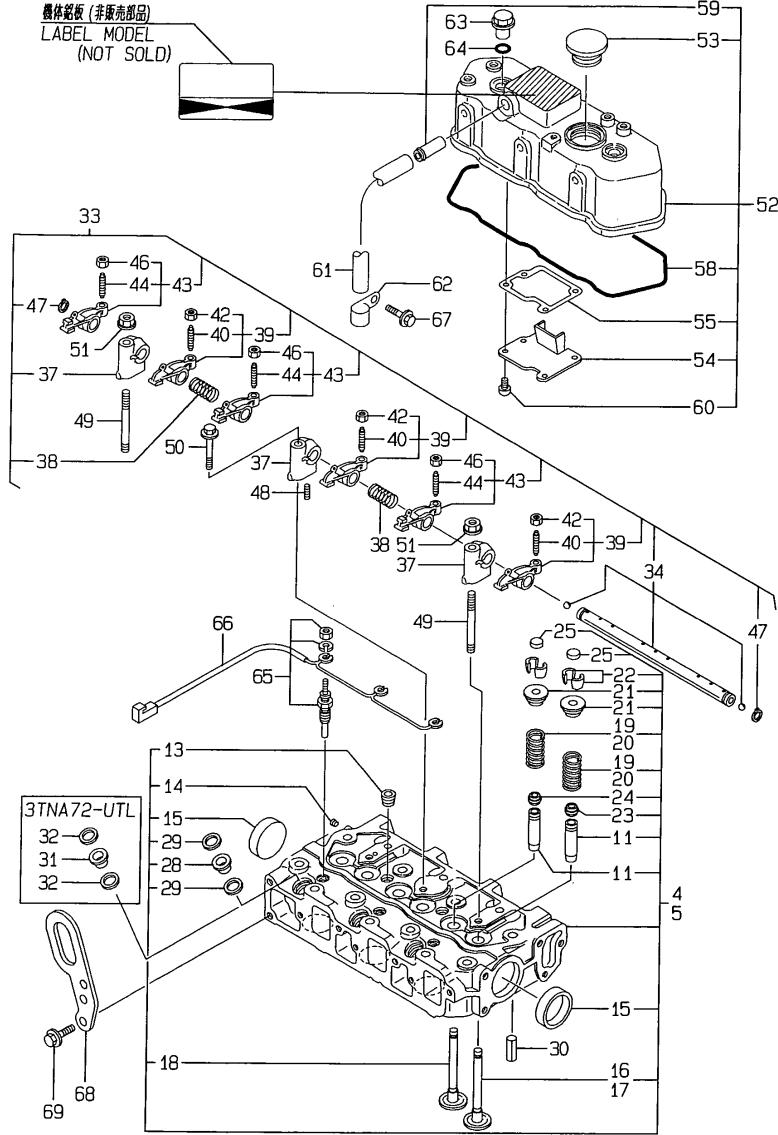
Fig.4. CYLINDER HEAD & BONNET

4. CYLINDER HEAD & BONNET

(A)=3TNA72-UTR
(B)=3TNE74-UTR
(C)=

(D)=
(E)=
(F)=

4. CYLINDER HEAD & BONNET



REF.	LEV.	PARTS NO.	DESCRIPTION	QTY						I	R
				(A)	(B)	(C)	(D)	(E)	(F)		
69	1	26106-080142	BOLT M 8X 14 PLATED	2	2						

Remarks
(1) REPAIR PART.
(REMARKS)"EFFECTIVE MACHINE NO." OF ENGINE IS INDICATED ON THE ENGINE LABEL WHICH IS SHOWN IN FIG.4.

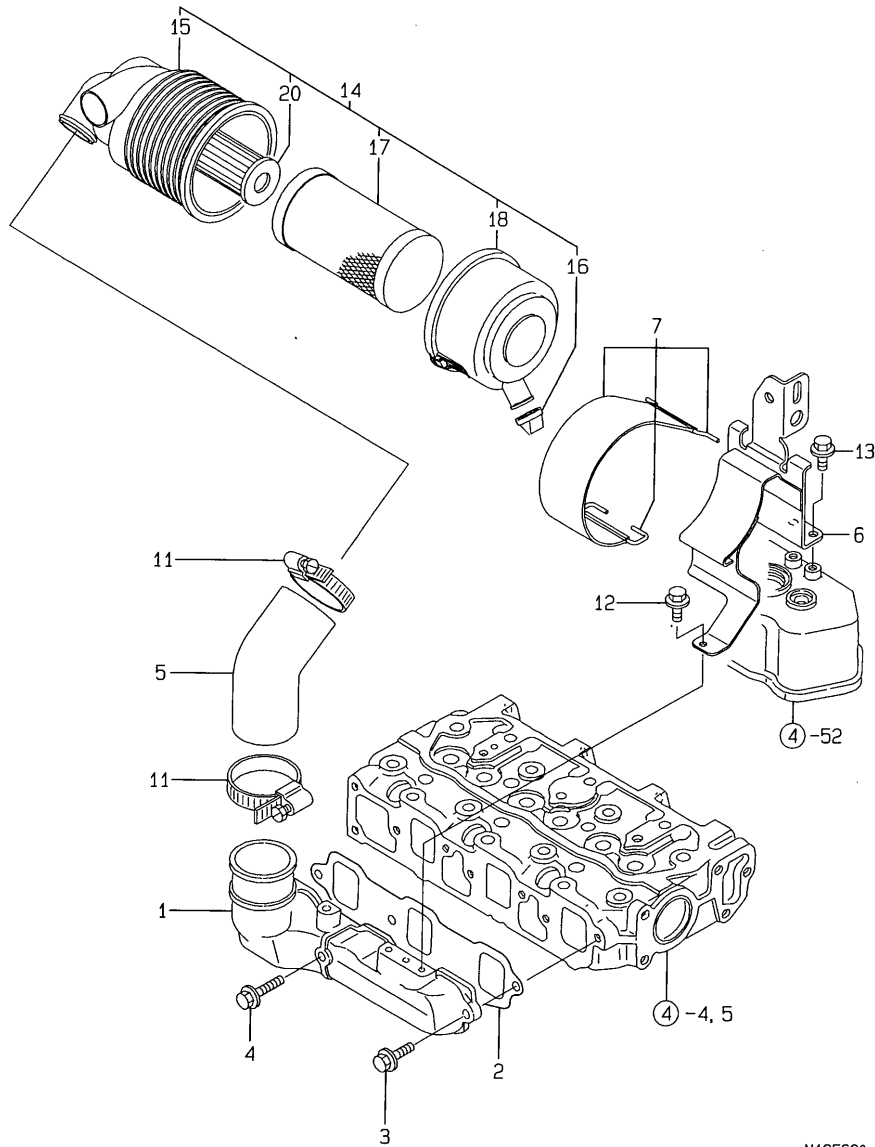
Fig.5. SUCTION MANIFOLD & AIR CREANER

5. SUCTION MANIFOLD & AIR CREANER

(A)=3TNA72-UTR
(B)=3TNE74-UTR
(C)=

(D)=
(E)=
(F)=

5. SUCTION MANIFOLD & AIR CREANER



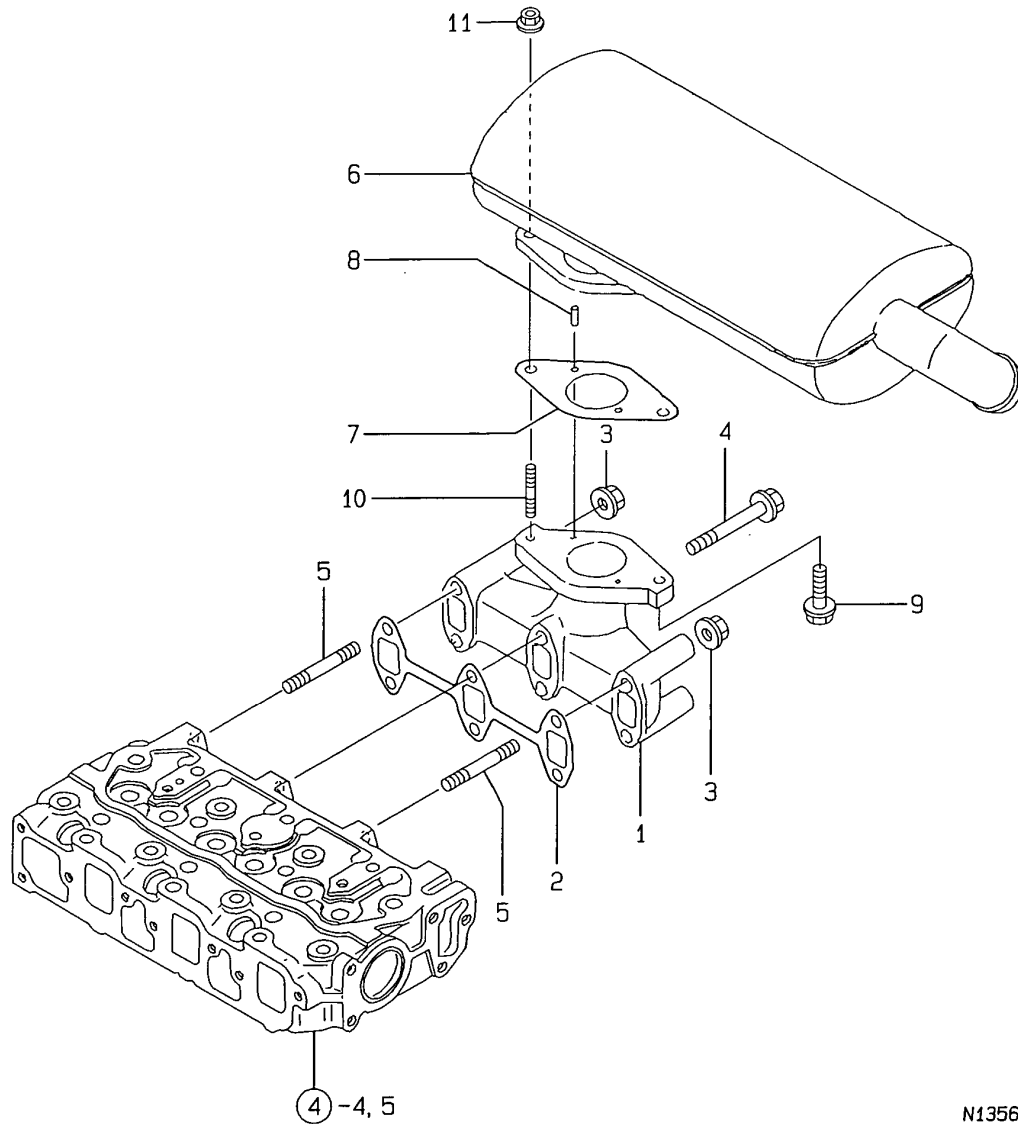
N135680

REF.	LEV.	PARTS NO.	DESCRIPTION	QTY						I	R
				(A)	(B)	(C)	(D)	(E)	(F)		
1	1	119660-12101	MANIFOLD,AIR INTAKE	1	1						
2	1	119660-12111	GASKET, SUC.MANIFOLD	1	1						
3	1	26106-060162	BOLT M 6X 16 PLATED	2	2						
4	1	26106-060402	BOLT M 6X 40 PLATED	1	1						
5	1	119652-12550	HOSE,AIR	1	1						
6	1	119652-12601	SUPPORT,AIR CLEANER	1	1						
7	1	119865-12600	STAY	1	1						
11	1	23000-054000	CLAMP 54	2	2						
12	1	26106-060122	BOLT M 6X 12 PLATED	1	1						
13	1	26106-080122	BOLT M 8X 12 PLATED	2	2						
14	1	119668-12510	AIR CLEANER	1	1						
15	2	119668-12520	CANISTER	1	1						
16	2	119808-12540	VALVE, UNLOADER	1	1						
17	2	119655-12560	ELEMENT	1	1						
18	2	105027-12570	COVER, AIR CLEANER	1	1						
20	2	119233-12700	ELEMENT, SAFETY	1	1						

Remarks
(REMARKS)"EFFECTIVE MACHINE NO." OF
ENGINE IS INDICATED ON THE
ENGINE LABEL WHICH IS SHOWN
IN FIG.4.

Fig.6. EXHAUST MANIFOLD & SILENCER

6. EXHAUST MANIFOLD & SILENCER



Remarks
 (REMARKS)"EFFECTIVE MACHINE NO." OF
 ENGINE IS INDICATED ON THE
 ENGINE LABEL WHICH IS SHOWN
 IN FIG.4.

OCNP3-G67600 6. EXHAUST MANIFOLD & SILENCER

(A)=3TNA72-UTR
 (B)=3TNE74-UTR
 (C)=

(D)=
 (E)=
 (F)=

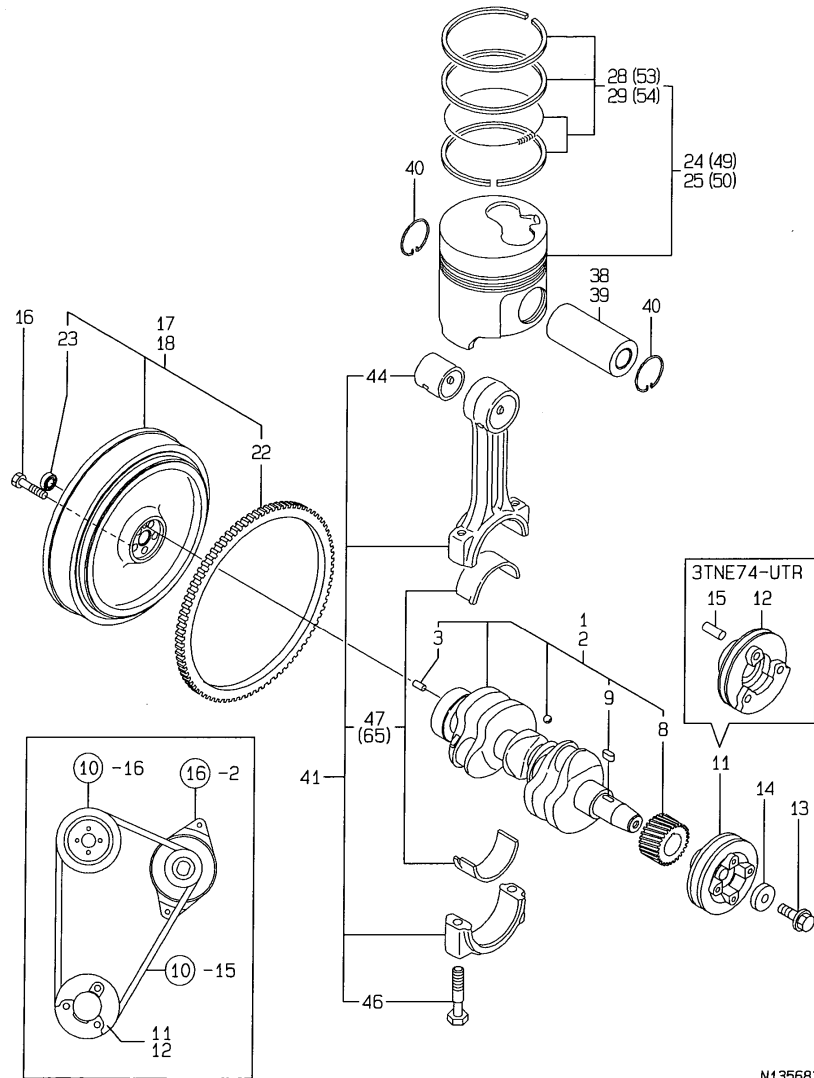
REF.	LEV.	PARTS NO.	DESCRIPTION	QTY						I	R
				(A)	(B)	(C)	(D)	(E)	(F)		
1	1	119626-13100	MANIFOLD ASSY,EX	1	1						
2	1	119620-13110	GASKET, EXH.MANIFOLD	1	1						
3	1	26366-080002	NUT M 8	2	2						
4	1	26106-080702	BOLT M 8X 70 PLATED	4	4						
5	1	26216-080702	STUD M 8X 70 PLATED	2	2						
6	1	119626-13510	SILENCER	1	1						
7	1	129107-13540	PACKING,SILENCER GSK	1	1						
8	1	22351-040012	SPRING PIN 4X12	2	2						
9	1	26106-080352	BOLT M 8X 35 PLATED	1	1						
10	1	119131-18320	BOLT M 8X 22	1	1						
11	1	26366-080002	NUT M 8	1	1						

Fig.8. CRANKSHAFT & PISTON

(A)=3TNA72-UTR
(B)=3TNE74-UTR
(C)=

(D)=
(E)=
(F)=

8. CRANKSHAFT & PISTON



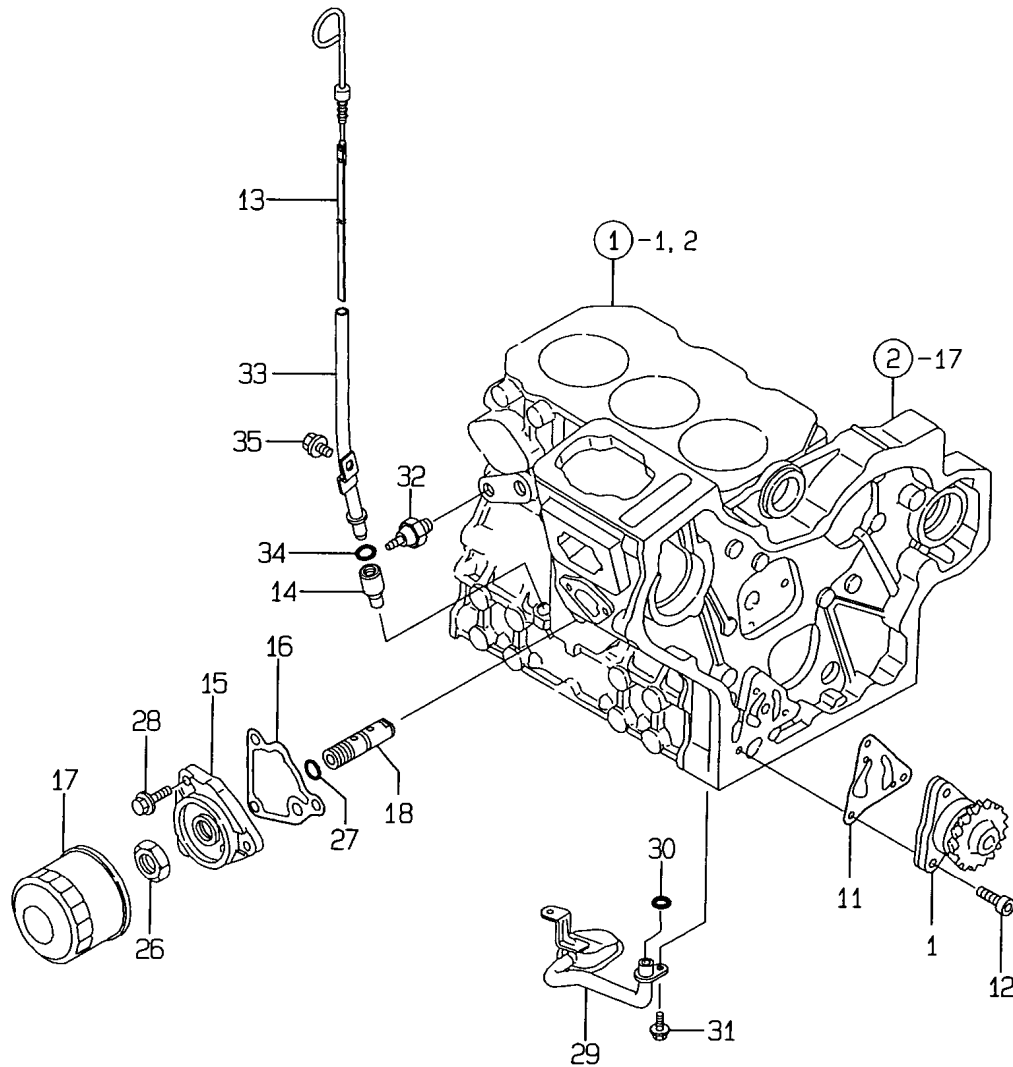
N135683

Remarks
 (1) REPAIR PART.
 (2) OVER-SIZE(O.S=0.25)PART.
 (3) UNDER-SIZE(U.S=0.25)PART.
 (REMARKS)"EFFECTIVE MACHINE NO." OF ENGINE IS INDICATED ON THE ENGINE LABEL WHICH IS SHOWN IN FIG.4.

REF.	LEV.	PARTS NO.	DESCRIPTION	Q'TY						I	R
				(A)	(B)	(C)	(D)	(E)	(F)		
I	1	119660-21710	CRANKSHAFT ASSY	1							
	2	119623-21700	CRANKSHAFT ASSY		1						
	3	129100-01580	PARALLEL PIN 8X16	1	1						
	8	119644-21200	CRANKGEAR	1	1						
	9	22512-040120	KEY 4X 12	1	1						
	11	119660-21651	V-PULLEY	1							
	12	119653-21660	V-PULLEY		1						
	13	119621-21680	BOLT M12X1.25,FLANGE	1	1						
	14	119620-21941	WASHER	1	1						
	15	22351-030012	SPRING PIN 3X12		1						
	16	105225-21501	BOLT, FLYWHEEL	5	5						
	17	119652-21590	FLYWHEEL ASSY	1							
	18	119626-21580	FLYWHEEL ASSY		1						
	22	124060-21600	GEAR, RING	1	1						
	23	119626-21700	BEARING #6901	1	1						
I	24	119620-22090	PISTON W/RINGS	3							
I	25	119687-22080	PISTON W/RING		3						
I	28	719620-22500	RING SET	3							
I	29	119623-22500	RING SET,PISTON		3						
	38	119620-22300	PIN, PISTON	3							
	39	114350-22301	PIN, PISTON D=21		3						
	40	22252-000210	CIRCLIP 21	6	6						
	41	719620-23100	ROD ASSY, CONNECTING	3	3						
	44	119620-23910	BUSH, PISTON PIN	3	3						1
	46	105225-23200	BOLT, ROD	6	6						
	47	719620-23600	BEARING, CRANKPIN	3	3						
	49	119620-22900	PISTON W/RING OS=.25	3							2
	50	119623-22900	PISTON ASSY(O.S=0.25		3						2
	53	119620-22950	RING SET O.S=0.25	3							2
	54	119623-22950	RING COMP.,.025 O.S.		3						2
	65	719620-23610	BEARING,PIN U.S=0.25	3	3						3

Fig.9. LUBRICATING OIL SYSTEM

9. LUBRICATING OIL SYSTEM



Remarks
 (REMARKS)"EFFECTIVE MACHINE NO." OF
 ENGINE IS INDICATED ON THE
 ENGINE LABEL WHICH IS SHOWN
 IN FIG.4.

OCNP3-G67600 9. LUBRICATING OIL SYSTEM

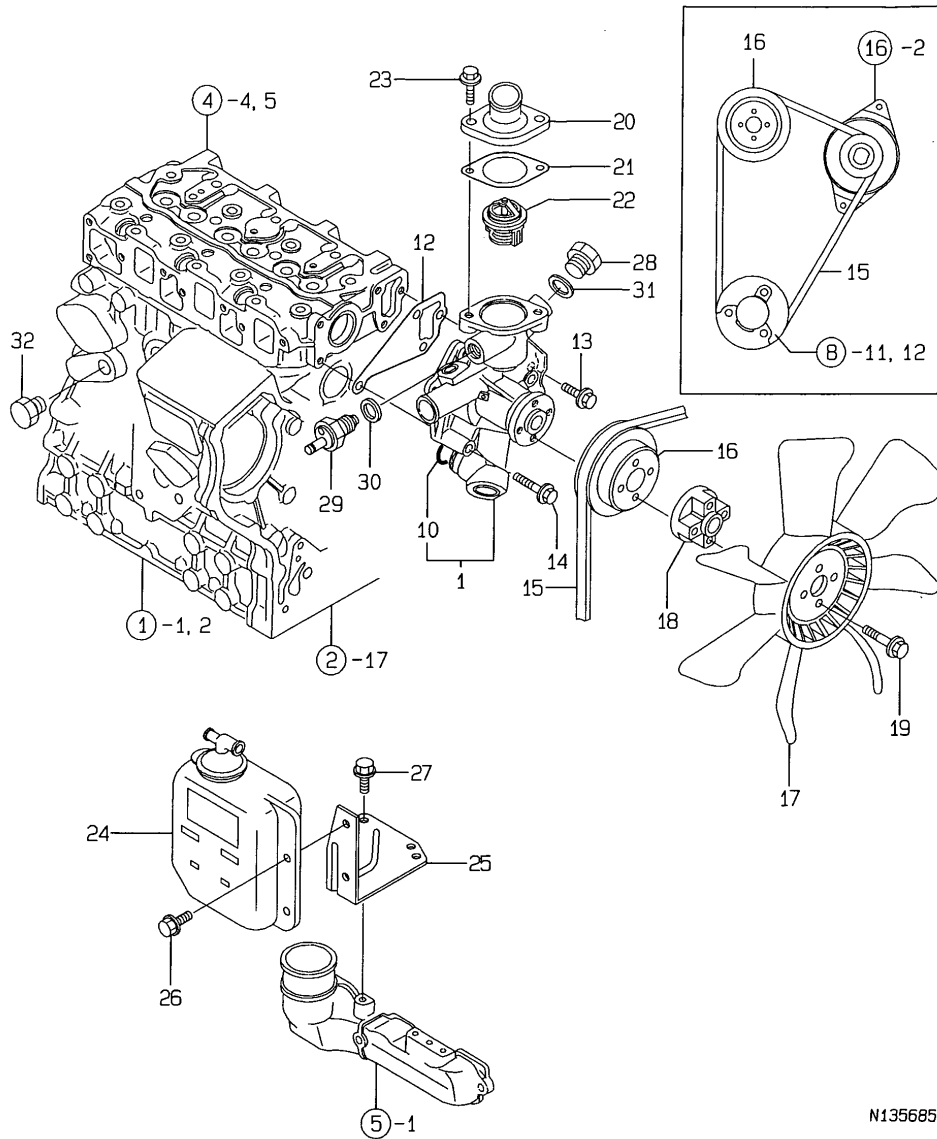
(A)=3TNA72-UTR
 (B)=3TNE74-UTR
 (C)=

(D)=
 (E)=
 (F)=

REF.	LEV.	PARTS NO.	DESCRIPTION	QTY						I	R
				(A)	(B)	(C)	(D)	(E)	(F)		
1	1	119660-32001	PUMP ASSY, LUB. OIL	1	1						
11	1	119660-32020	GASKET, L.O.PUMP	1	1						
12	1	26450-060202	BOLT M 6X 20	3	3						
13	1	124190-34801	DIPSTICK, LUB.OIL	1	1						
14	1	119260-34810	GUIDE, DIPSTICK	1	1						
I 15	1	119660-35102	BRACKET, OIL FILTER	1	1						
16	1	119660-35113	GASKET, (NON-ASB.)	1	1						
17	1	119305-35150	FILTER, LUB. OIL	1	1						
I 18	1	119660-35300	VALVE ASSY,OIL PRESS	1	1						
I 26	1	129150-35350	NUT	1	1						
I 27	1	24311-000160	O-RING 1A P-16.0	1	1						
28	1	26106-080202	BOLT M 8X 20 PLATED	3	3						
29	1	119600-35081	PIPE ASSY, LUB.OIL	1	1						
30	1	119209-35030	O-RING	1	1						
31	1	26106-060102	BOLT M 6X 10 PLATED	2	2						
32	1	124160-39450	SWITCH, OIL PRESSURE	1	1						
33	1	119626-34810	GUIDE,DIP STICK	1	1						
34	1	24311-240100	O-RING 1A P-10A	1	1						
35	1	26106-060102	BOLT M 6X 10 PLATED	1	1						

Fig.10. COOLING WATER SYSTEM

10. COOLING WATER SYSTEM



N135685

Remarks
 (REMARKS) "EFFECTIVE MACHINE NO." OF
 ENGINE IS INDICATED ON THE
 ENGINE LABEL WHICH IS SHOWN
 IN FIG.4.

OCNP3-G67600 10. COOLING WATER SYSTEM

(A)=3TNA72-UTR
 (B)=3TNE74-UTR
 (C)=

(D)=
 (E)=
 (F)=

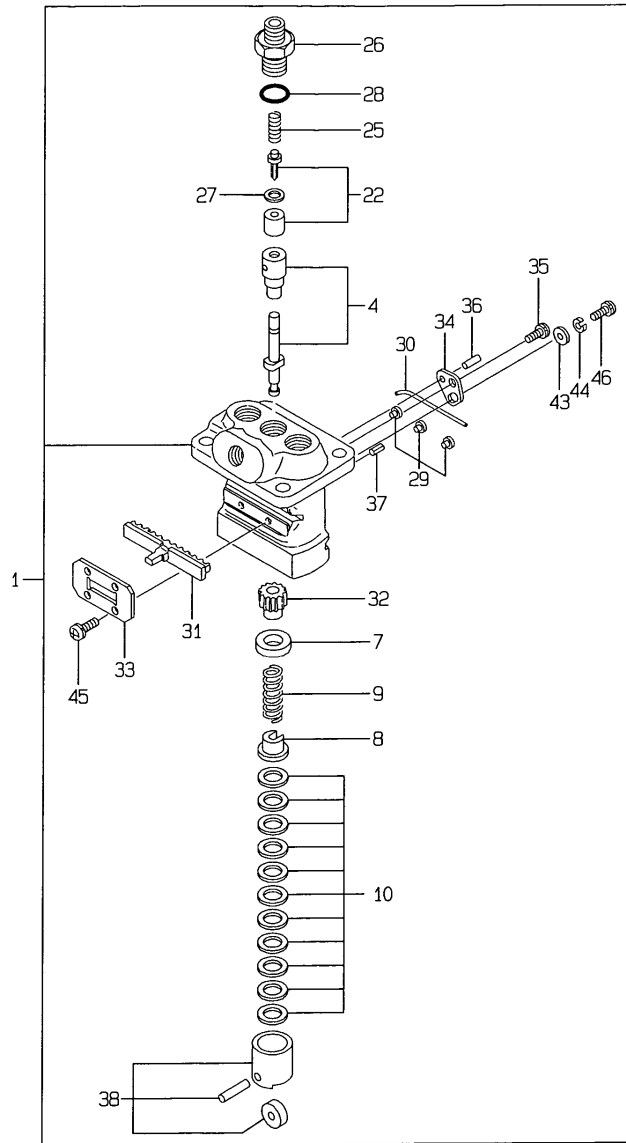
REF.	LEV.	PARTS NO.	DESCRIPTION	QTY						I	R
				(A)	(B)	(C)	(D)	(E)	(F)		
1	1	119621-42003	COOLING WATER PUMP	1	1						
10	2	119620-42320	O-RING	1	1						
12	1	119620-42020	GASKET, C.W. PUMP	1	1						
13	1	26106-080202	BOLT M 8X 20 PLATED	1	1						
14	1	26106-080452	BOLT M 8X 45 PLATED	3	3						
15	1	119654-42290	V-BELT	1	1						
16	1	119642-42350	V-PULLEY	1	1						
17	1	119626-44741	FAN, COOLING(D=320X7	1	1						
18	1	171353-44760	SPACER	1	1						
19	1	26106-060352	BOLT M 6X 35 PLATED	4	4						
20	1	119660-49530	COVER, THERMOSTAT	1	1						
21	1	129350-49541	GASKET, (NON-ASB.)	1	1						
22	1	129350-49800	THERMOSTAT	1	1						
23	1	26106-080202	BOLT M 8X 20 PLATED	2	2						
24	1	119626-44510	SUBTANK	1	1						
25	1	119626-44600	BRACKET	1	1						
26	1	26106-060122	BOLT M 6X 12 PLATED	2	2						
27	1	26106-060122	BOLT M 6X 12 PLATED	2	2						
28	1	121450-42450	PLUG M16	1	1						
29	1	121250-44901	SWITCH, THERMO	1	1						
30	1	124465-44950	GASKET 16	1	1						
31	1	124465-44950	GASKET 16	1	1						
32	1	171056-49120	PLUG, DRAIN	1	1						

Fig.11. FUEL OIL INJECTION PUMP

(A)=3TNA72-UTR
(B)=3TNE74-UTR
(C)=

(D)=
(E)=
(F)=

11. FUEL OIL INJECTION PUMP



REF.	LEV.	PARTS NO.	DESCRIPTION	QTY						I	R
				(A)	(B)	(C)	(D)	(E)	(F)		
1	1	719621-51100	PUMP ASSY, F.INJECT.	1	1						
4	2	119620-51101	PLUNGER W/BARREL	3	3						
7	2	119620-51170	RETAINER	3	3						
8	2	119620-51180	RETAINER	3	3						
9	2	119620-51190	SPRING, PLUNGER	3	3						
10	2	119620-51250	SHIM PACK	3	3						
22	2	119620-51300	VALVE W/SEAT, DELIV.	3	3						
25	2	105546-51330	SPRING, DELIV. VALVE	3	3						
26	2	119620-51340	HOLDER, DELIV. VALVE	3	3						
27	2	119620-51350	GASKET, DELIVERY	3	3						
28	2	119620-51370	O-RING	3	3						
29	2	119620-51450	GUIDE, PLUNGER	3	3						
30	2	119620-51461	PIN	1	1						
31	2	119660-51500	RACK	1	1						
32	2	119620-51510	PINION	3	3						
33	2	119660-51530	RETAINER, RACK	1	1						
34	2	119620-51650	PLATE	2	2						
35	2	119620-51660	SCREW	2	2						
36	2	119620-51670	PIN	2	2						
37	2	119620-51680	PIN	1	1						
38	2	119620-51700	TAPPET ASSY	3	3						
I	43	22137-040000	WASHER 4, POLISHED	2	2						
I	44	22217-040000	SPRING WASHER 4	2	2						
	45	26022-040082	SCREW M 4X 8	4	4						
	46	26587-040102	SCREW M 4X 10	2	2						

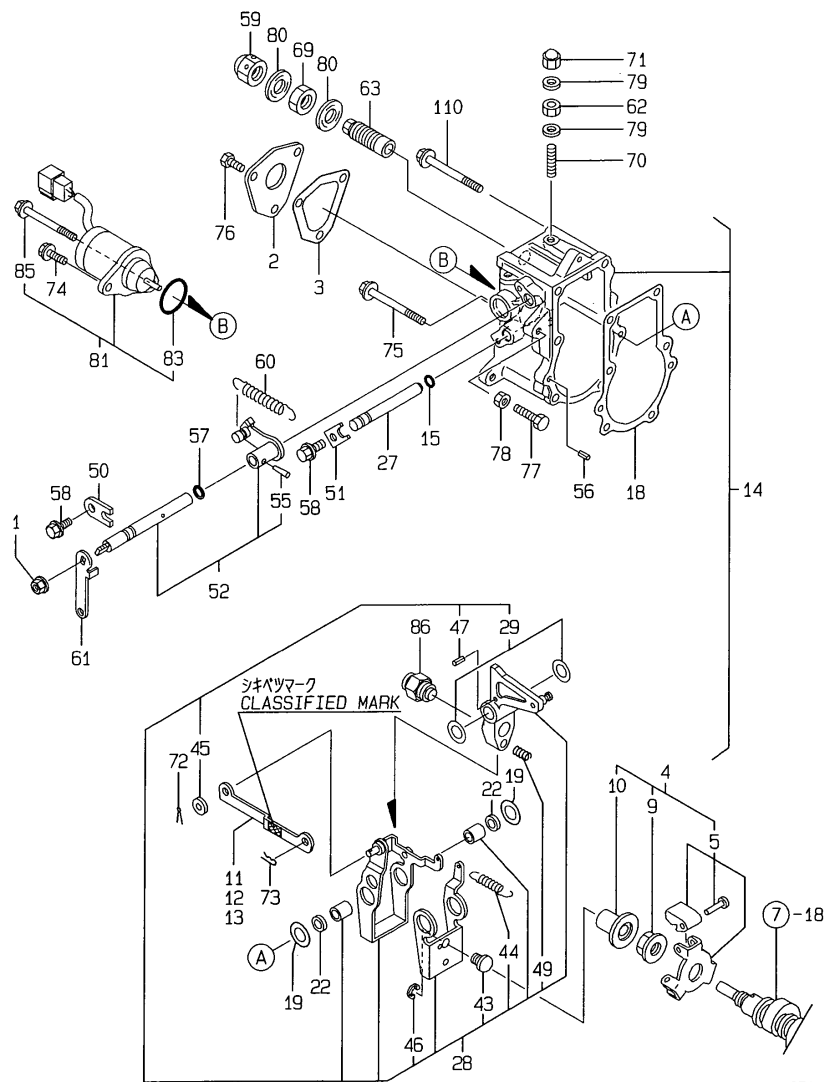
Remarks
(REMARKS)"EFFECTIVE MACHINE NO." OF
ENGINE IS INDICATED ON THE
ENGINE LABEL WHICH IS SHOWN
IN FIG.4.

Fig.12. GOVERNOR

(A)=3TNA72-UTR
(B)=3TNE74-UTR
(C)=

(D)=
(E)=
(F)=

12. GOVERNOR



Remarks
(1) SELECTIVE PARTS: CERTAIN THE CLASSIFICATION MARK, THEN PLACE YOUR ORDER.(REF. TO ILLUSTRATION (REMARKS)"EFFECTIVE MACHINE NO." OF ENGINE IS INDICATED ON THE ENGINE LABEL WHICH IS SHOWN IN FIG.4.

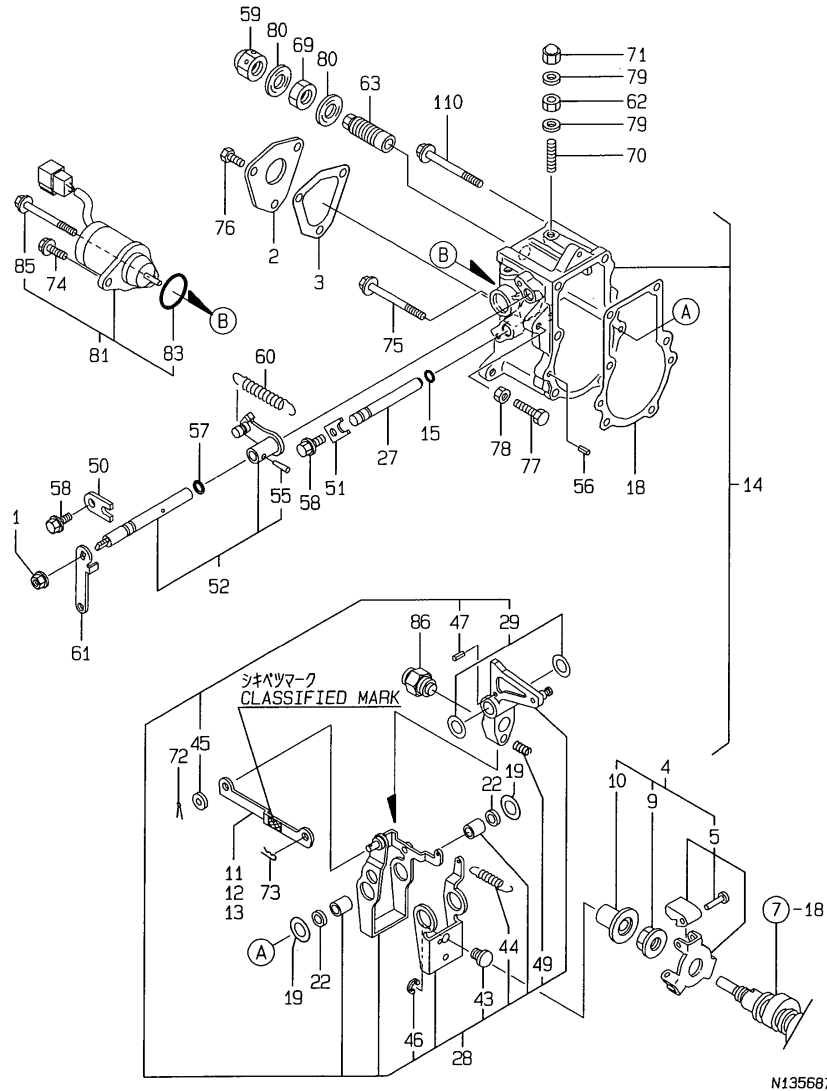
REF.	LEV.	PARTS NO.	DESCRIPTION	QTY						I	R
				(A)	(B)	(C)	(D)	(E)	(F)		
1	1	194990-22050	NUT W/WASHER 8	1	1						
2	1	119660-61060	COVER, GOVERNOR CASE	1	1						
3	1	119660-61071	GASKET, (NON-ASB.)	1	1						
4	1	119600-61100	DRIVING SET, GOV.	1	1						
5	2	119600-61200	WEIGHT ASSY, GOV.	1	1						
9	2	119660-61300	NUT, GOVERNOR WEIGHT	1	1						
10	2	119660-61341	SLEEVE, GOVERNOR	1	1						
11	1	119660-61121	LINK L=88.8(NO COLOR)	1	1						1
12	1	119660-61140	LINK L=88.6(WHITE)	1	1						1
13	1	119660-61150	LINK L=89.0(RED)	1	1						1
14	1	119632-61200	CASE ASSY, GOVERNOR	1	1						
15	2	129155-51280	O-RING S6	1	1						
18	2	119660-61052	GASKET, (NON-ASB.)	1	1						
19	2	119660-61460	SHIM SET	1	1						
22	2	129155-61480	SPACER ASSY	2	2						
27	2	119660-61491	SHAFT,GOVERNOR LEVER	1	1						
28	2	119232-61510	LEVER ASSY, GOVERNOR	1	1						
29	3	174307-51700	SHIM SET	2	2						
43	3	119600-61541	SHIFTER,P.T.O.	1	1						
44	3	119660-61651	SPRING, STARTING	1	1						
45	3	22117-040000	WASHER 4	1	1						
46	3	22272-000040	CIRCLIP E- 4	1	1						
47	3	22351-030014	SPRING PIN 3X14	1	1						
49	3	119232-61540	SPRING, LEVER	1	1						
50	2	119600-61900	RETAINER, SHAFT	1	1						
51	2	119660-61901	RETAINER, SHAFT	1	1						
52	2	119285-66080	SHAFT ASSY,REGULATOR	1	1						
55	3	22322-030160	TAPER PIN 3X16	1	1						
56	2	22351-040010	SPRING PIN 4X10	2	2						
57	2	24341-000070	O-RING 1A S-7.0	1	1						
58	2	26106-060102	BOLT M 6X 10 PLATED	2	2						
59	1	129100-61930	NUT, CAP	1	1						
60	1	119645-66020	SPRING, REGULATOR	1	1						
61	1	119626-66050	LEVER, REGULATOR	1	1						
62	1	124550-66370	LOCK NUT M 6	1	1						
63	1	171350-61450	TORQUE SPRING ASSY.	1	1						
69	1	26776-120002	LOCK NUT M12 PLATED	1	1						
70	1	121575-66830	SCREW, ADJUST	1	1						
71	1	119600-66840	NUT, CAP	1	1						
72	1	22360-040000	SNAP PIN 4	1	1						
73	1	22360-060000	SNAP PIN 6	1	1						
74	1	121465-59950	BOLT M 6X 16, PLATED	1	1						
75	1	26106-060702	BOLT M 6X 70 PLATED	3	3						
76	1	26116-050102	BOLT M 5X 10 PLATED	3	3						
77	1	26116-060304	BOLT M 6X 30 PLATED	1	1						
78	1	26756-060002	LOCK NUT 6	1	1						
79	1	22190-060003	SEAL WASER 6	2	2						
80	1	22190-120002	SEAL WASHER 12	2	2						
81	1	119653-66500	ENGINE STOP DEVICE	1	1						
83	2	24341-000280	O-RING 1A S-28.0	1	1						
85	2	26106-060952	BOLT M 6X 95 PLATED	1	1						

Fig.12. GOVERNOR

(A)=3TNA72-UTR
(B)=3TNE74-UTR
(C)=

(D)=
(E)=
(F)=

12. GOVERNOR



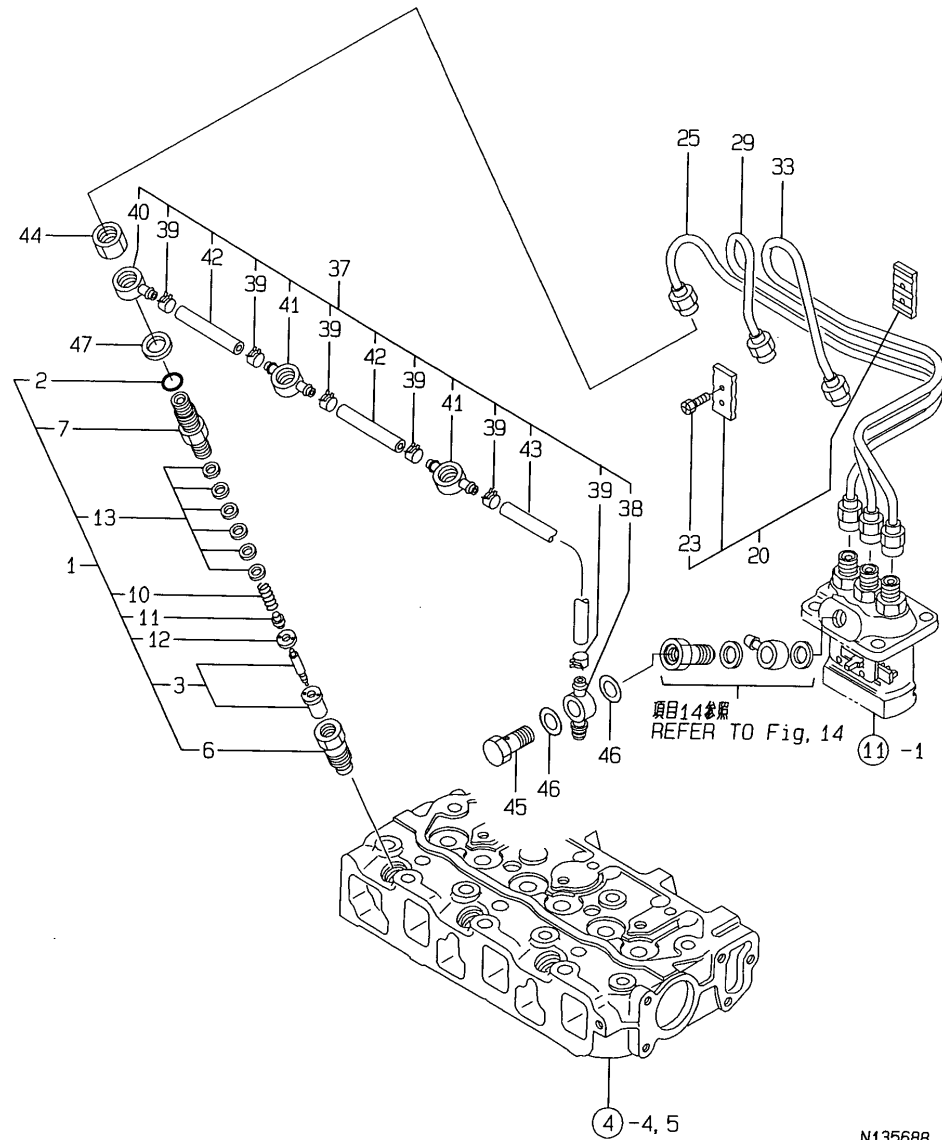
REF.	LEV.	PARTS NO.	DESCRIPTION	QTY						I	R
				(A)	(B)	(C)	(D)	(E)	(F)		
86	1	119610-66700	ANGLEICH ASSY	1	1						
110	1	26106-060752	BOLT M 6X 75 PLATED	2	2						

Remarks

(1) SELECTIVE PARTS: CERTAIN THE CLASSIFICATION MARK, THEN PLACE YOUR ORDER.(REF. TO ILLUSTRATION)
(REMARKS)"EFFECTIVE MACHINE NO." OF ENGINE IS INDICATED ON THE ENGINE LABEL WHICH IS SHOWN IN FIG.4.

Fig.13. FUEL OIL INJECTION VALVE

13. FUEL OIL INJECTION VALVE



N135688

Remarks
 (REMARKS)"EFFECTIVE MACHINE NO." OF
 ENGINE IS INDICATED ON THE
 ENGINE LABEL WHICH IS SHOWN
 IN FIG.4.

OCNP3-G67600 13. FUEL OIL INJECTION VALVE

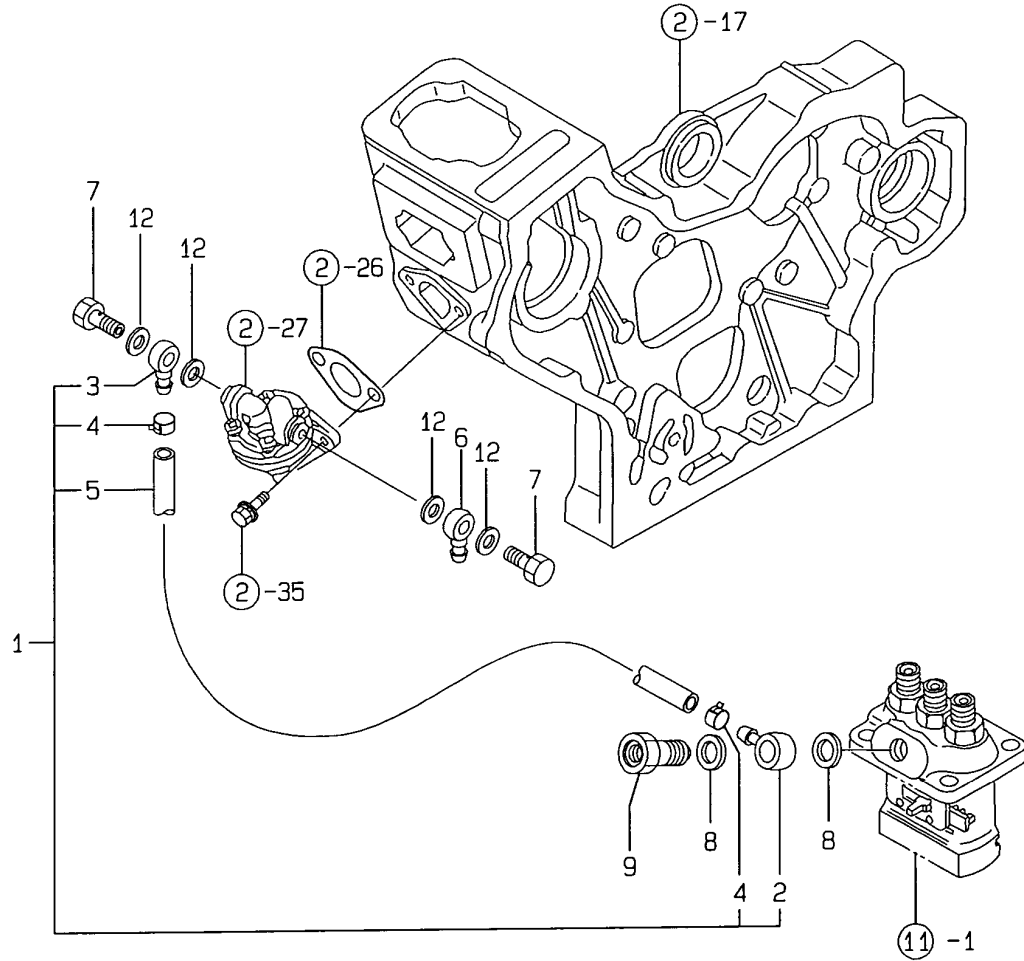
(A)=3TNA72-UTR
 (B)=3TNE74-UTR
 (C)=

(D)=
 (E)=
 (F)=

REF.	LEV.	PARTS NO.	DESCRIPTION	QTY						I	R
				(A)	(B)	(C)	(D)	(E)	(F)		
1	1	719255-53100	FUEL INJECT.VALVE AS	3	3						
2	2	129155-61830	O-RING S10	3	3						
3	2	119620-53000	NOZZLE ASSY,F.INJECT	3	3						
6	2	119620-53080	NUT, VALVE W/CASE	3	3						
7	2	119255-53100	HOLDER,NOZZLE	3	3						
10	2	119620-53120	SPRING, VALVE	3	3						
11	2	114250-53130	SEAT, NOZZLE SPRING	3	3						
12	2	119620-53140	SPACER, VALVE STOP	3	3						
13	2	114250-53400	SHIM PACK	3	3						
20	1	129150-59120	RETAINER, INJ. PIPE	1	1						
23	2	129150-59131	BOLT M4X14,HEX.SCKT.	2	2						
25	1	119620-59811	PIPE (1),FUEL INJECT	1	1						
29	1	119620-59821	PIPE (2),FUEL INJECT	1	1						
33	1	119620-59831	PIPE (3),FUEL INJECT	1	1						
37	1	119653-59540	PIPE, FUEL RETURN	1	1						
38	2	121750-59090	JOINT 8, PIPE	1	1						
39	2	124066-59100	CLAMP 8	6	6						
40	2	119260-59520	JOINT (B)	1	1						
41	2	119260-59530	JOINT (A)	2	2						
42	2	105025-59550	PIPE, FUEL RETURN	2	2						
43	2	124732-59562	PIPE, FUEL OIL	1	1						
44	1	119620-59700	NUT	3	3						
45	1	124550-59820	BOLT 8, PIPE JOINT	1	1						
46	1	23414-080012	GASKET 8	2	2						
47	1	23414-140000	GASKET 14, ROUND	3	3						

Fig.14. FUEL OIL LINE

14. FUEL OIL LINE



0CNP3-G67600 14. FUEL OIL LINE

(A)=3TNA72-UTR
(B)=3TNE74-UTR
(C)=

(D)=
(E)=
(F)=

REF.	LEV.	PARTS NO.	DESCRIPTION	Q'TY						I	R
				(A)	(B)	(C)	(D)	(E)	(F)		
1	1	119650-59010	PIPE ASSY, FUEL	1	1						
2	2	101304-59020	JOINT 12, PIPE	1	1						
3	2	104264-59030	JOINT 8, PIPE	1	1						
4	2	124766-59050	CLAMP 12	2	2						
5	2	106430-59560	PIPE, FUEL OIL	1	1						
6	1	104264-59030	JOINT 8, PIPE	1	1						
7	1	105582-59150	BOLT, PIPE JOINT	2	2						
8	1	22190-120002	SEAL WASHER 12	2	2						
9	1	119462-59190	BOLT ASSY, PIPE JOINT	1	1						
12	1	23414-080012	GASKET 8	4	4						

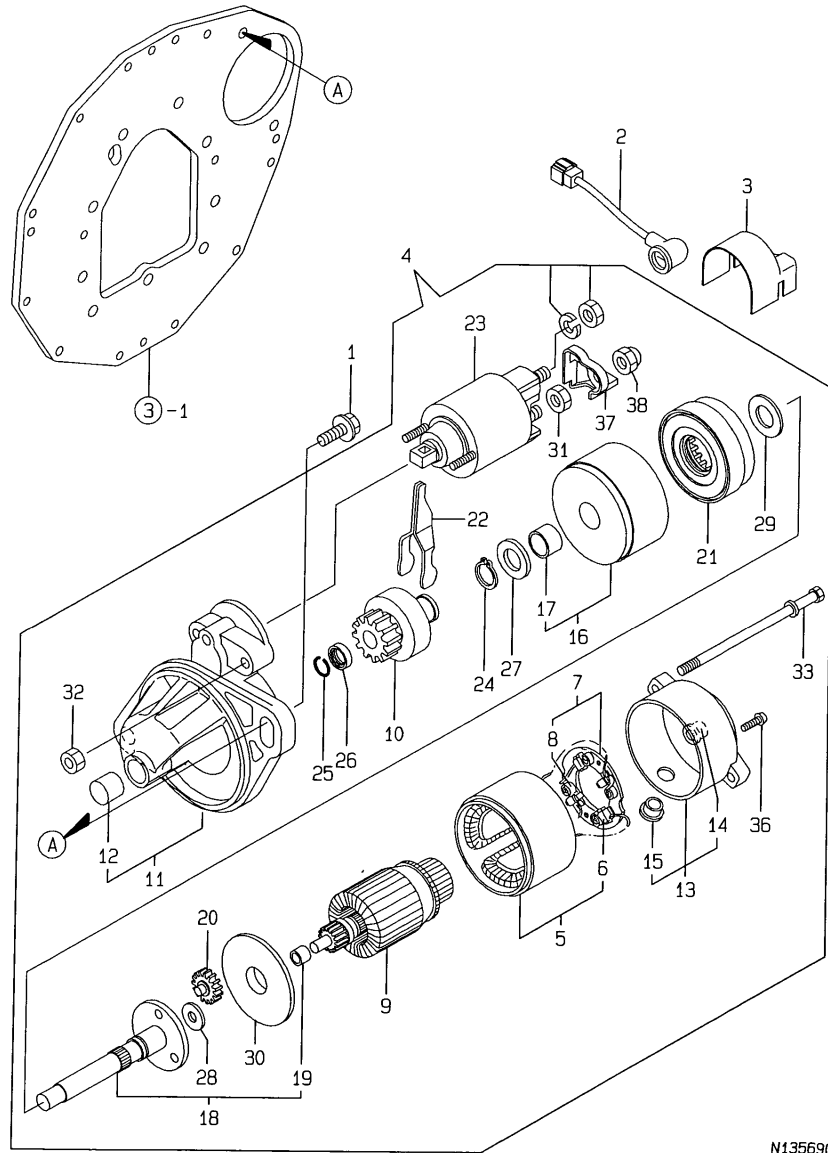
Remarks
(REMARKS)"EFFECTIVE MACHINE NO." OF
ENGINE IS INDICATED ON THE
ENGINE LABEL WHICH IS SHOWN
IN FIG.4.

Fig.15. STARTING MOTOR

(A)=3TNA72-UTR
(B)=3TNE74-UTR
(C)=

(D)=
(E)=
(F)=

15. STARTING MOTOR



N135690

Remarks
(REMARKS)"EFFECTIVE MACHINE NO." OF
ENGINE IS INDICATED ON THE
ENGINE LABEL WHICH IS SHOWN
IN FIG.4.

N:Old $\begin{matrix} \leftarrow \text{Yes} \\ \text{No} \end{matrix}$ New, Q:Old $\begin{matrix} \leftarrow \text{No} \\ \text{Yes} \end{matrix}$ New, R:Old $\begin{matrix} \leftarrow \text{Yes} \\ \text{Yes} \end{matrix}$ New, S:Old $\begin{matrix} \leftarrow \text{No} \\ \text{No} \end{matrix}$ New, W:Add, Z:Discontinued, F:Interchangeable by set, K:Q'ty Change

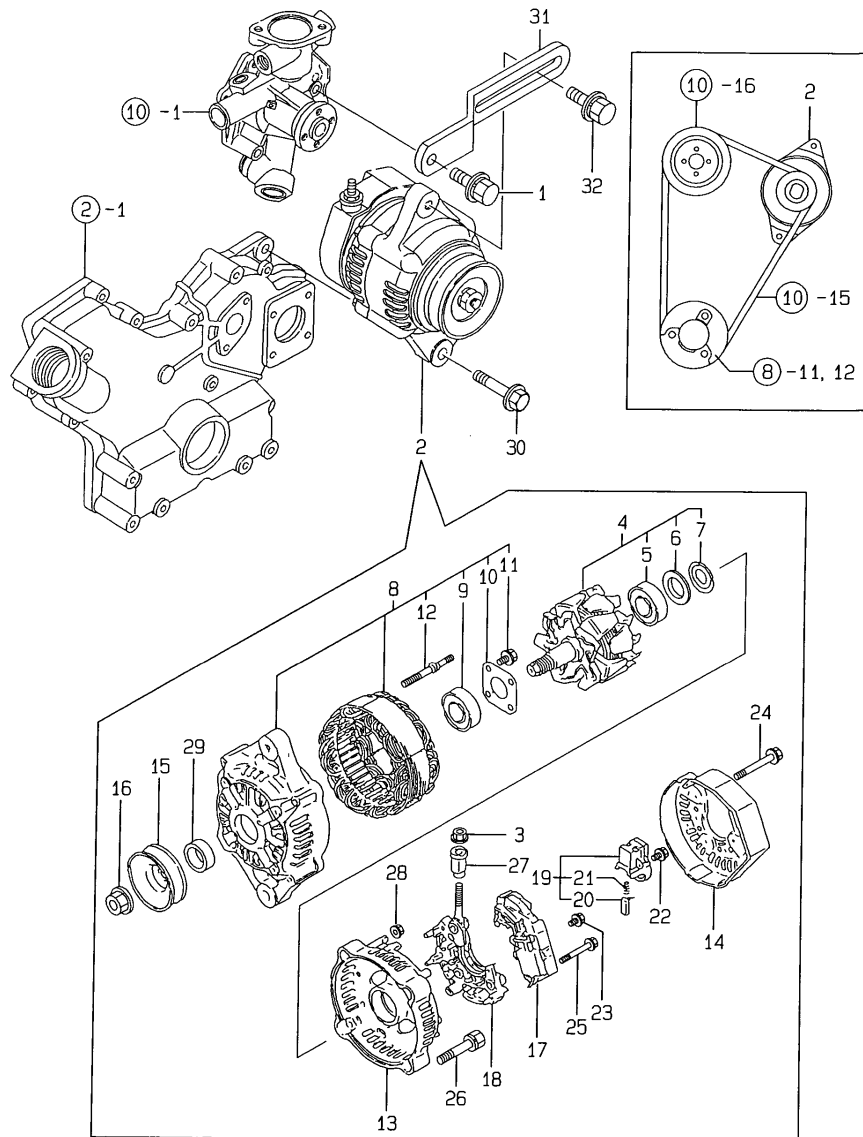
REF.	LEV.	PARTS NO.	DESCRIPTION	QTY						I	R
				(A)	(B)	(C)	(D)	(E)	(F)		
1	1	26106-100402	BOLT M10X 40 PLATED	2	2						
2	1	119626-77900	HARNESS, WIRE	1	1						
3	1	119626-77910	COVER(STARTER)	1	1						
4	1	119626-77011	STARTER	1	1						
5	2	X0281007750	COIL ASSY, FIELD	1	1						
6	3	X0280996180	STARTER KIT	2	2						
7	2	X0285105190	HOLDER ASSY.	1	1						
8	3	X0285205030	SPRING	4	4						
9	2	X0282005991	ARMATURE ASSY	1	1						
10	2	X0283006960	CLUTCH SUB-ASSY.	1	1						
11	2	X2284007470	HOUSING ASSY	1	1						
12	3	X9491050100	NEEDLE BEARING	1	1						
13	2	X0285005750	FRAME ASSY.	1	1						
14	3	X9491040990	BEARING	1	1						
15	3	X0280626010	COVER	1	1						
16	2	X0284105010	BEARING SUB-ASSY.	1	1						
17	3	X9491034330	BEARING	1	1						
18	2	X0286105010	SHAFT SUB-ASSY.	1	1						
19	3	X9491034320	BEARING	1	1						
20	2	X0286305010	GEAR	3	3						
21	2	X0286355010	GEAR	1	1						
22	2	X0287405140	LEVER	1	1						
23	2	X1534006130	SWITCH,EMERGENCY	1	1						
24	2	X9055715000	RING	1	1						
25	2	X9490721360	RING	1	1						
26	2	X0280210331	NUT	1	1						
27	2	X9490138110	WASHER	1	1						
28	2	X9490138090	WASHER	1	1						
29	2	X9490138100	WASHER	1	1						
30	2	X0284525010	PLATE	1	1						
31	2	X9490562360	NUT	1	1						
32	2	X9490560750	NUT	2	2						
33	2	X9490423420	BOLT, THROUGH	2	2						
36	2	X9490065670	SCREW M 4X 6 (BS)	2	2						
37	2	X0280335350	COVER SET, TERMINAL	1	1						
38	2	X1289510130	NUT	1	1						

Fig.16. GENERATOR

(A)=3TNA72-UTR
(B)=3TNE74-UTR
(C)=

(D)=
(E)=
(F)=

16. GENERATOR



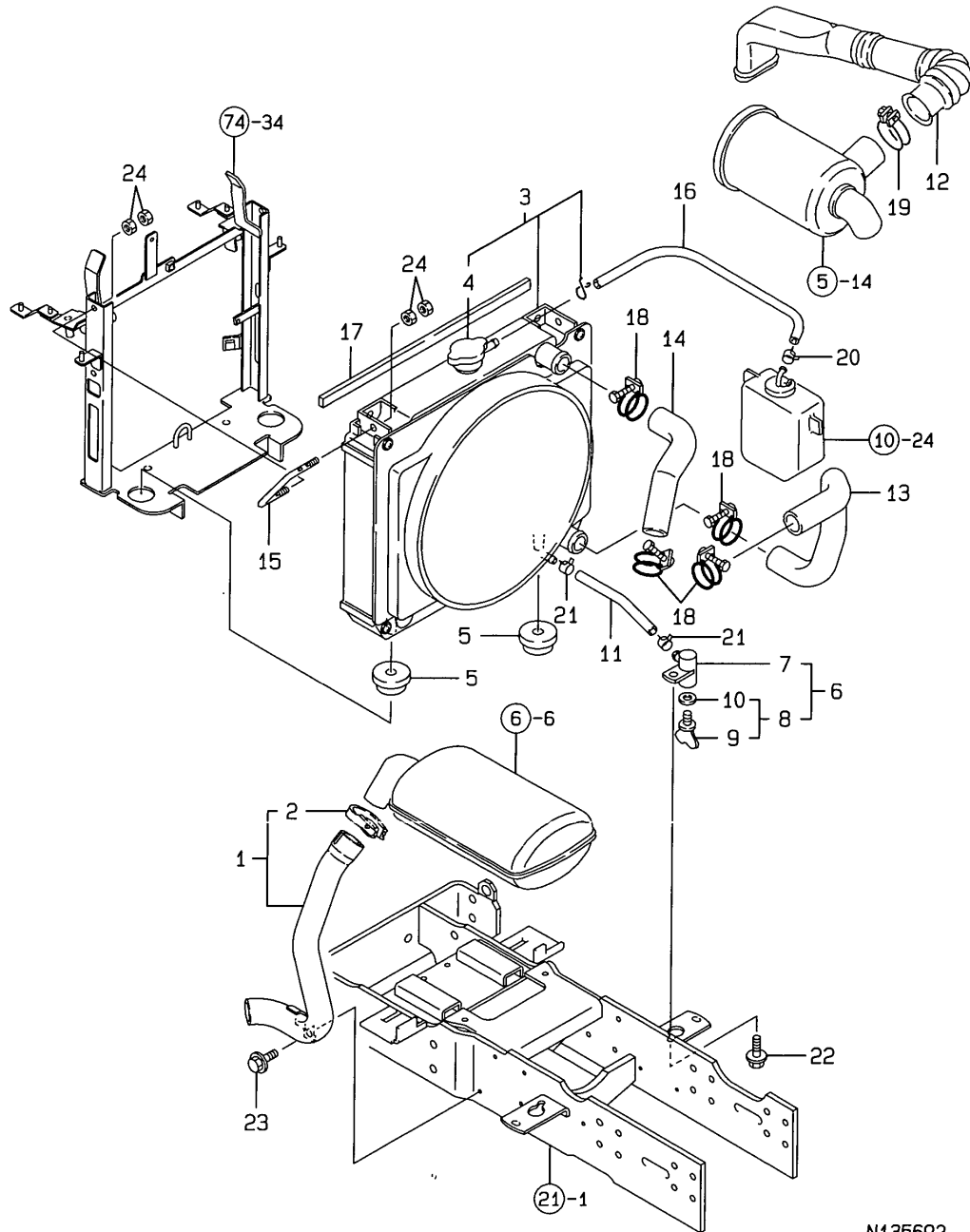
N135691

Remarks
(REMARKS) "EFFECTIVE MACHINE NO." OF
ENGINE IS INDICATED ON THE
ENGINE LABEL WHICH IS SHOWN
IN FIG.4.

REF.	LEV.	PARTS NO.	DESCRIPTION	QTY						I	R
				(A)	(B)	(C)	(D)	(E)	(F)		
1	1	26106-080162	BOLT M 8X 16 PLATED	1	1						
2	1	119620-77201	GENERATOR	1	1						
3	2	X9490561001	NUT	1	1						
4	2	119620-77380	ROTOR ASSY	1	1						
5	3	119620-79240	BALL BEARING	1	1						
6	3	119620-79250	COVER, BEARING	1	1						
7	3	119620-79360	THRUST WASHER	1	1						
8	2	119620-77421	FLAME ASSY, DRIVE	1	1						
9	3	119620-79200	BALL BEARING	1	1						
10	3	119620-79210	PLATE	1	1						
11	3	119620-79220	SCREW	4	4						
12	3	119620-79230	BOLT, STUD	2	2						
13	2	119620-77440	FLAME ASSY, REAR	1	1						
14	2	119620-77450	COVER	1	1						
15	2	119620-77461	PULLEY	1	1						
16	2	119620-77471	NUT	1	1						
17	2	119620-77710	REGULATOR ASSY	1	1						
18	2	119620-79260	HOLDER	1	1						
19	2	119620-79270	HOLDER, BRUSH	1	1						
20	3	119620-77480	BRUSH ASSY	2	2						
21	3	119620-79280	SPRING	2	2						
22	2	119620-79290	SCREW	6	6						
23	2	119620-79300	SCREW	1	1						
24	2	119620-79310	BOLT	3	3						
25	2	119620-79320	SCREW W/WASHER	2	2						
26	2	119620-79330	BOLT	2	2						
27	2	119620-79340	INSULATION BUSH	1	1						
28	2	119620-79350	NUT	2	2						
29	2	119620-77490	COLLAR	1	1						
30	1	26106-100452	BOLT M10X 45 PLATED	1	1						
31	1	119626-77330	ADJUSTER	1	1						
32	1	26014-080252	BOLT M 8X 25	1	1						

Fig.17. ENGINE ACCESSORIES

17. ENGINE ACCESSORIES



OCNP3-G67600 17. ENGINE ACCESSORIES

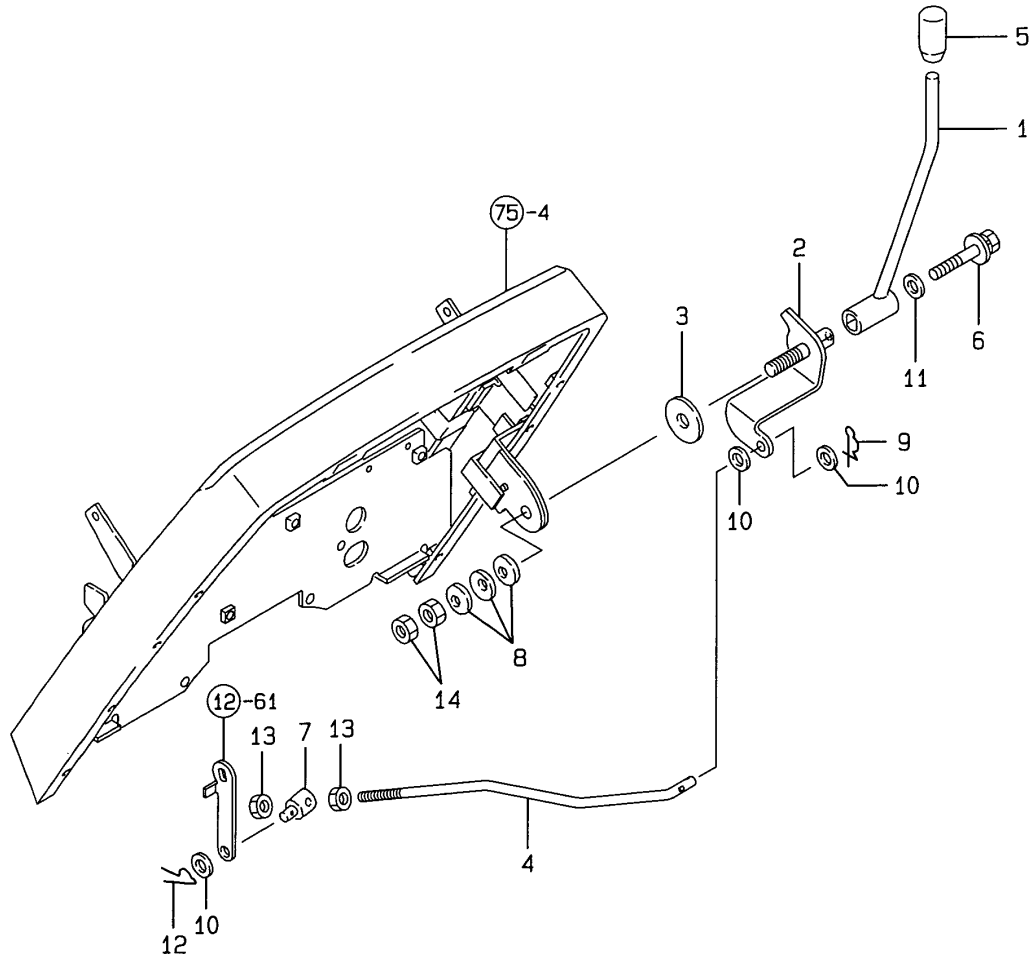
(A)=KE-170H
(B)=KE-200H
(C)=

(D)=
(E)=
(F)=

REF.	LEV.	PARTS NO.	DESCRIPTION	QTY						I	R
				(A)	(B)	(C)	(D)	(E)	(F)		
1	1	198167-00510	PIPE, EXT	1	1						
2	2	119650-13620	CLAMP, EXHAUST PIPE	1	1						
3	1	198165-00600	RADIATOR	1	1						
4	2	129107-44590	CAP, RADIATOR	1	1						
5	1	198162-00640	SUPPORT	2	2						
6	1	198421-00640	COCK COMP., 2-WAY	1	1						
7	2	198421-00650	BODY, 2-WAY COCK	1	1						
8	2	129150-49080	COCK, DRAIN	1	1						
9	3	119629-49070	COCK, DRAIN	1	1						
10	3	119629-49080	GASKET	1	1						
11	1	198167-00670	PIPE, DRAIN	1	1						
12	1	198165-00680	PIPE, EXTENSION	1	1						
13	1	198165-00720	PIPE (L), C.WATER	1	1						
14	1	198167-00730	PIPE (U), C.WATER	1	1						
15	1	198167-00810	ROD, RADIATOR CLAMP	2	2						
16	1	198165-00950	TUBE, SUB TANK	1	1						
17	1	121454-44590	PAD	1	1						
18	1	23010-038000	CLAMP 38	4	4						
19	1	23010-050000	CLAMP 50	1	1						
20	1	23080-008000	CLAMP 8	1	1						
21	1	23080-012000	CLAMP 12	2	2						
22	1	26018-080162	BOLT M 8X 16	1	1						
23	1	26018-080202	BOLT M 8X 20	1	1						
24	1	26756-080002	LOCK NUT M 8 PLATED	8	8						

Fig.18. ACCELERATOR LEVER

18. ACCELERATOR LEVER



OCNP3-G67600 18. ACCELERATOR LEVER

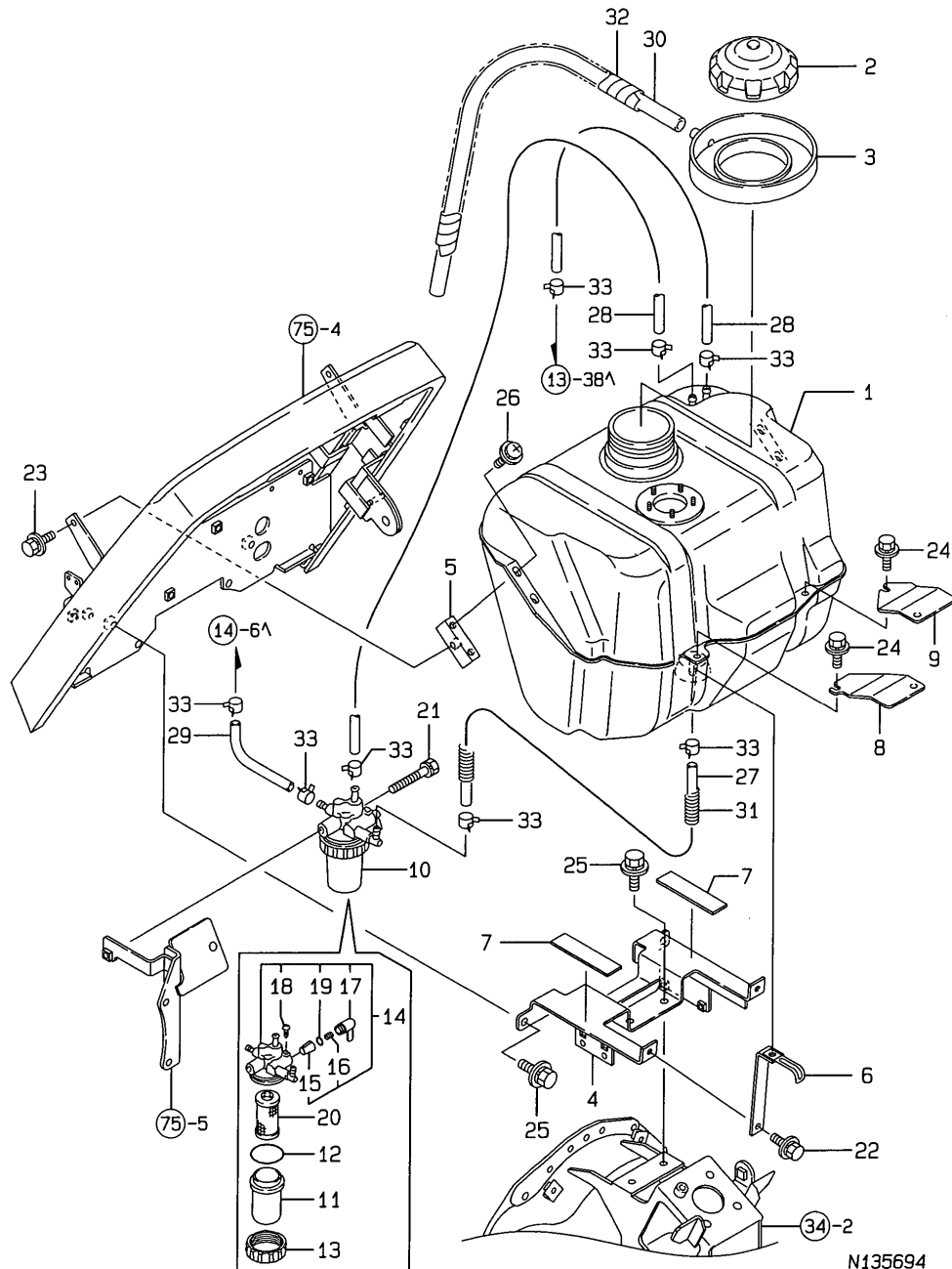
(A)=KE-170H
(B)=KE-200H
(C)=

(D)=
(E)=
(F)=

REF.	LEV.	PARTS NO.	DESCRIPTION	Q'TY						I	R
				(A)	(B)	(C)	(D)	(E)	(F)		
1	1	198165-01110	LEVER, ACCEL	1	1						
2	1	198167-01120	SHAFT, CMP ACCEL	1	1						
3	1	198165-01130	PLATE, FRICTION	1	1						
4	1	198165-01150	ROD, ACCEL LINK	1	1						
5	1	194464-01190	KNOB, THROTTLE LEVER	1	1						
6	1	198421-01250	BOLT 6X40	1	1						
7	1	194150-01370	ADJUSTER	1	1						
8	1	194151-47760	WASHER 12	3	3						
9	1	1C6281-52320	PIN 8,COME-OFF SNAP	1	1						
10	1	22137-080000	WASHER 8, POLISHED	3	3						
11	1	22157-060000	WASHER 6	1	1						
12	1	22372-080000	SNAP PIN (JASO 8)	1	1						
13	1	26716-080002	NUT M 8	2	2						
14	1	26716-120002	NUT 12	2	2						

Fig.19. FUEL TANK

19. FUEL TANK



N135694

OCNP3-G67600 19. FUEL TANK

(A)=KE-170H
(B)=KE-200H
(C)=

(D)=
(E)=
(F)=

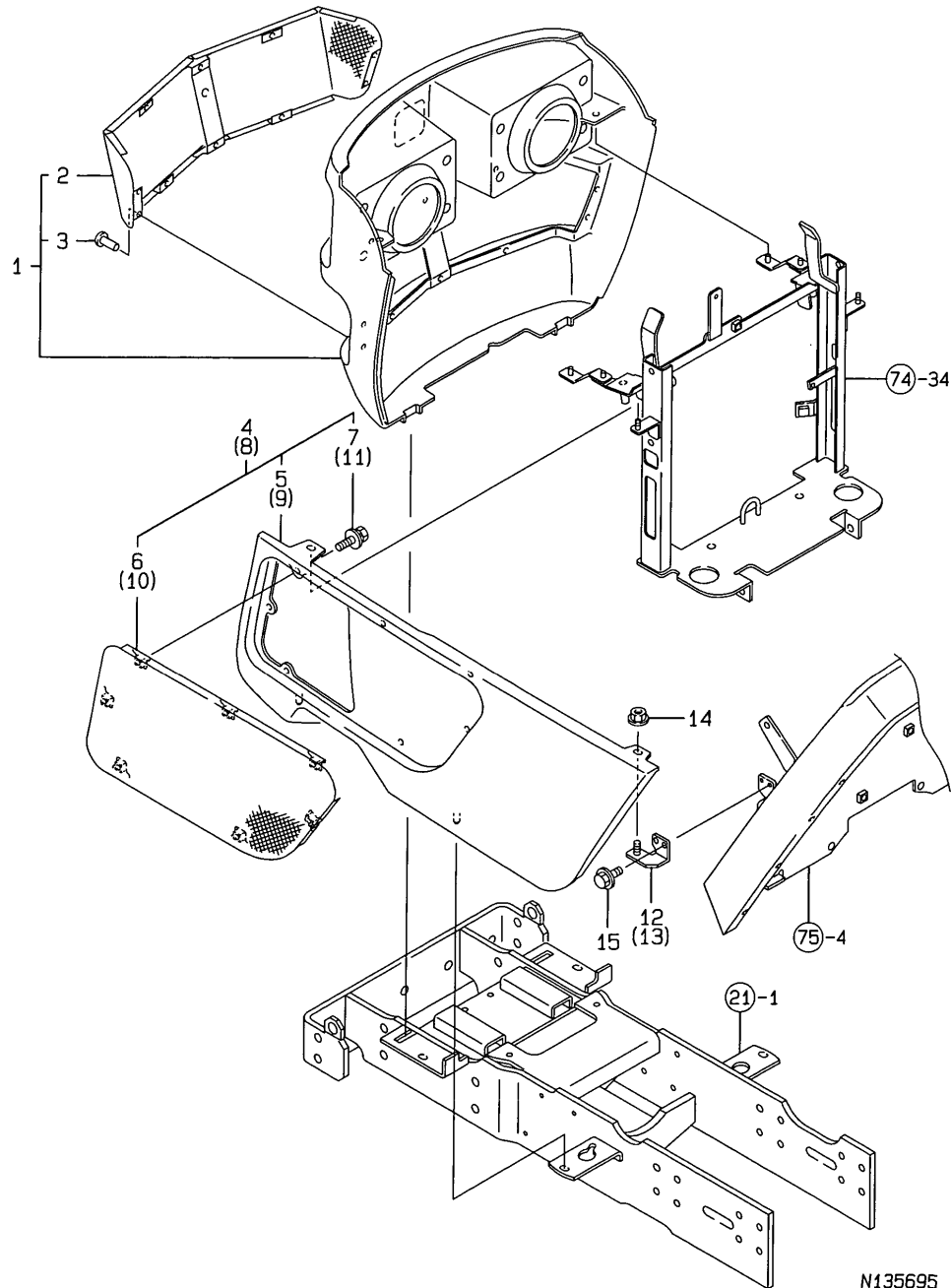
REF.	LEV.	PARTS NO.	DESCRIPTION	QTY						I	R
				(A)	(B)	(C)	(D)	(E)	(F)		
1	1	198165-04110	FUEL TANK	1	1						
2	1	1A6640-04130	CAP,FUEL TANK	1	1						
3	1	198165-04140	CAT.PAN ,FUEL TANK	1	1						
4	1	198165-04311	STAY, CMP TANK	1	1						
5	1	198165-04350	BRACKET, FRONT TANK	2	2						
6	1	198165-04370	BRACKET, REAR TANK	2	2						
7	1	198165-04380	RUBBER, 100X25X3	2	2						
8	1	1A6640-04450	COVER L,HARNESS	1	1						
9	1	1A6640-04460	COVER R,HARNESS	1	1						
10	1	119462-55620	STRAINER, FUEL	1	1						
11	2	124064-55510	BOWL, FUEL STRAINER	1	1						
12	2	102103-55520	O-RING	1	1						
13	2	110250-55610	RING, RETAINING	1	1						
14	2	119626-55690	BODY,FO FILTER	1	1						
15	3	104200-55321	VALVE, TAPER	1	1						
16	3	104200-55330	SPRING, TAPER VALVE	1	1						
17	3	119810-55340	LEVER	1	1						
18	3	104200-55750	SCREW M 4	1	1						
19	3	24311-240100	O-RING 1A P-10A	1	1						
20	2	104500-55710	ELEMENT, FUEL	1	1						
21	1	26013-080752	BOLT 8X 75	1	1						
22	1	26018-060162	BOLT M6X16	2	2						
23	1	26018-060162	BOLT M6X16	2	2						
24	1	26018-060202	BOLT M 6X 20	2	2						
25	1	26018-080202	BOLT M 8X 20	4	4						
26	1	26023-060162	SCREW M 6X 16	4	4						
27	1	198165-04410	HOSE, FUEL SVC	1	1						
28	1	198165-04420	HOSE, FUEL RET	2	2						
29	1	198165-04430	HOSE, FUEL LOWER	1	1						
30	1	198421-04430	PIPE,FUEL OIL PAN	1	1						
31	1	198165-04440	TUBE 360	1	1						
32	1	198165-04460	COVER, FUEL HOSE	1	1						
33	1	23080-012000	CLAMP 12	8	8						

Fig.20. BELT COVER

(A)=KE-170H
(B)=KE-200H
(C)=

(D)=
(E)=
(F)=

20. BELT COVER

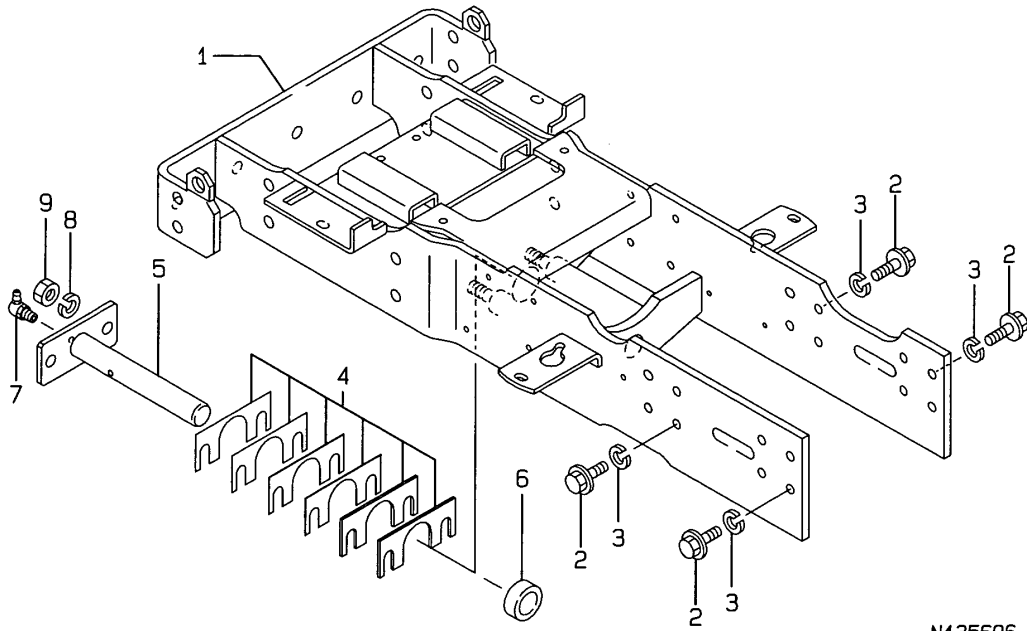


REF.	LEV.	PARTS NO.	DESCRIPTION	QTY						I	R
				(A)	(B)	(C)	(D)	(E)	(F)		
1	1	1A6640-05310	GRILL COMP.,FRONT	1	1						
2	2	1A6640-05510	NET,FRONT GRILL COMP	1	1						
3	2	22695-320801	RIVET B 3.2X8.0	10	10						
4	1	1A6640-05350	PANEL L KIT,SIDE	1	1						
5	2	1A6640-05360	PANEL L COMP.,SIDE	1	1						
6	2	1A6640-05610	NET,S PANEL L COMP.	1	1						
7	2	26016-060122	BOLT M 6X 12	7	7						
8	1	1A6640-05400	PANEL R KIT,SIDE	1	1						
9	2	1A6640-05410	PANEL R COMP.,SIDE	1	1						
10	2	1A6640-05660	NET,S PANEL R COMP.	1	1						
11	2	26016-060122	BOLT M 6X 12	7	7						
12	1	1A6640-05710	HOLDER L,SP COMP.	1	1						
13	1	1A6640-05760	HOLDER R,SP COMP.	1	1						
14	1	194990-22130	NUT W/WASHER 6	2	2						
15	1	26107-050102	BOLT M 5X 10 PLATED	4	4						

N135695

Fig.21. FRONT BRACKET

21. FRONT BRACKET



N135696

OCNP3-G67600 21. FRONT BRACKET

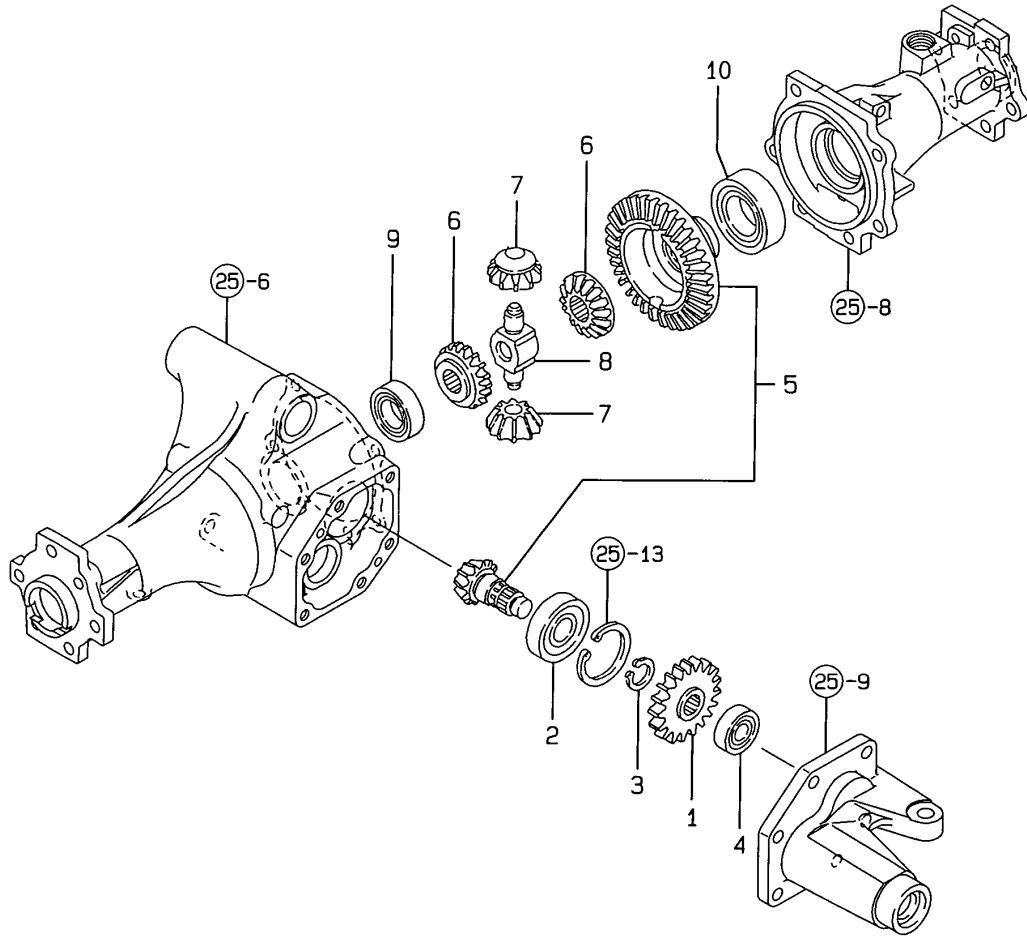
(A)=KE-170H
(B)=KE-200H
(C)=

(D)=
(E)=
(F)=

REF.	LEV.	PARTS NO.	DESCRIPTION	QTY						I	R
				(A)	(B)	(C)	(D)	(E)	(F)		
1	1	1A6640-11090	BRACKET KIT,AXLE	1	1						
2	1	198165-11360	BOLT 10X25	16	16						
3	1	194274-13570	SPRING WASHER 10	16	16						
4	1	198165-11500	SHIM SET, CENTER PIN	1	1						
5	1	198165-11510	PIN, CENTER	1	1						
6	1	198165-11540	BUSH, CENTER PIN	1	1						
7	1	198435-16230	GREASE FITTING	1	1						
8	1	22217-120000	SPRING WASHER	2	2						
9	1	26716-120002	NUT 12	2	2						

Fig.23. DRIVE PINION

23. DRIVE PINION



OCNP3-G67600 23. DRIVE PINION

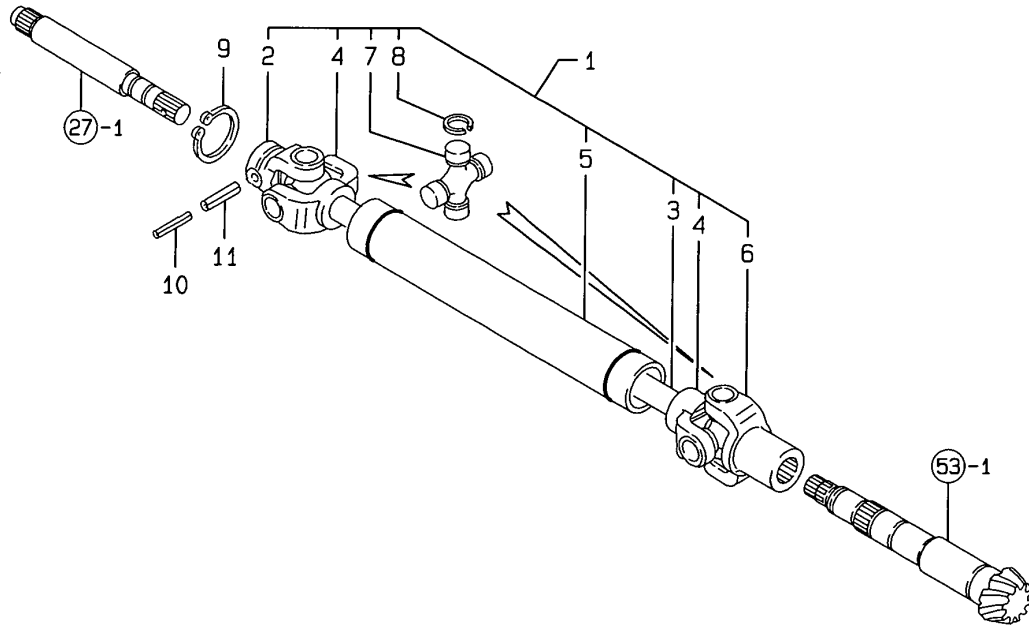
(A)=KE-170H
(B)=KE-200H
(C)=

(D)=
(E)=
(F)=

REF.	LEV.	PARTS NO.	DESCRIPTION	Q'TY						I	R
				(A)	(B)	(C)	(D)	(E)	(F)		
1	1	198165-13120	GEAR,19T FRONT	1	1						
2	1	194447-13860	BALL BEARING	1	1						
3	1	22242-000200	CIRCLIP 20	1	1						
4	1	24101-062024	BALL BEARING	1	1						
5	1	198165-13100	PINION, DRIVE KIT	1	1						
6	1	198421-13221	GEAR,DIFF.SIDE	2	2						
7	1	198421-13231	PINION,DIFFERENTIAL	2	2						
8	1	198421-13240	SHAFT,DIFF.PINION	1	1						
9	1	24101-060054	BALL BEARING	1	1						
10	1	24101-060074	BALL BEARING	1	1						

Fig.24. PROPELLER SHAFT

24. PROPELLER SHAFT



OCNP3-G67600 24. PROPELLER SHAFT

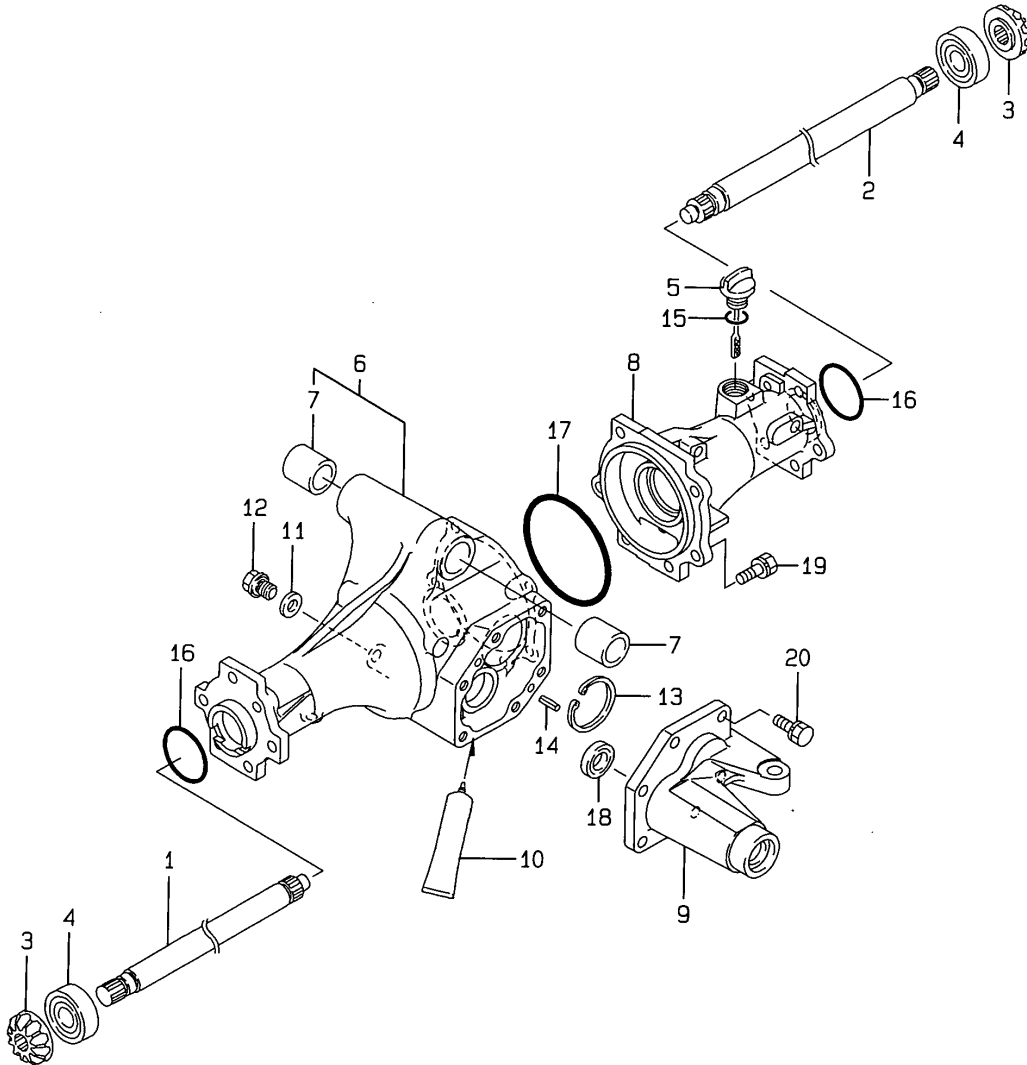
(A)=KE-170H
(B)=KE-200H
(C)=

(D)=
(E)=
(F)=

REF.	LEV.	PARTS NO.	DESCRIPTION	QTY						I	R
				(A)	(B)	(C)	(D)	(E)	(F)		
1	1	198165-13310	SHAFT,CMP PROPELLER	1	1						
2	2	198165-13320	YOKE, A	1	1						
3	2	198165-13350	SHAFT	1	1						
4	2	198221-13360	YOKE	2	2						
5	2	198165-14610	COVER, SHAFT	1	1						
6	2	194802-22250	YOKE, SLEEVE	1	1						
7	2	194802-22260	JOURNAL	2	2						
8	2	194802-22270	RING, SNAP	8	8						
9	1	22242-000360	CIRCLIP 36	1	1						
10	1	22351-035032	SPRING PIN 3.5X32	1	1						
11	1	22351-060032	SPRING PIN 6X32	1	1						

Fig.25. FRONT AXLE CASE

25. FRONT AXLE CASE



N135700

OCNP3-G67600 25. FRONT AXLE CASE

(A)=KE-170H
(B)=KE-200H
(C)=

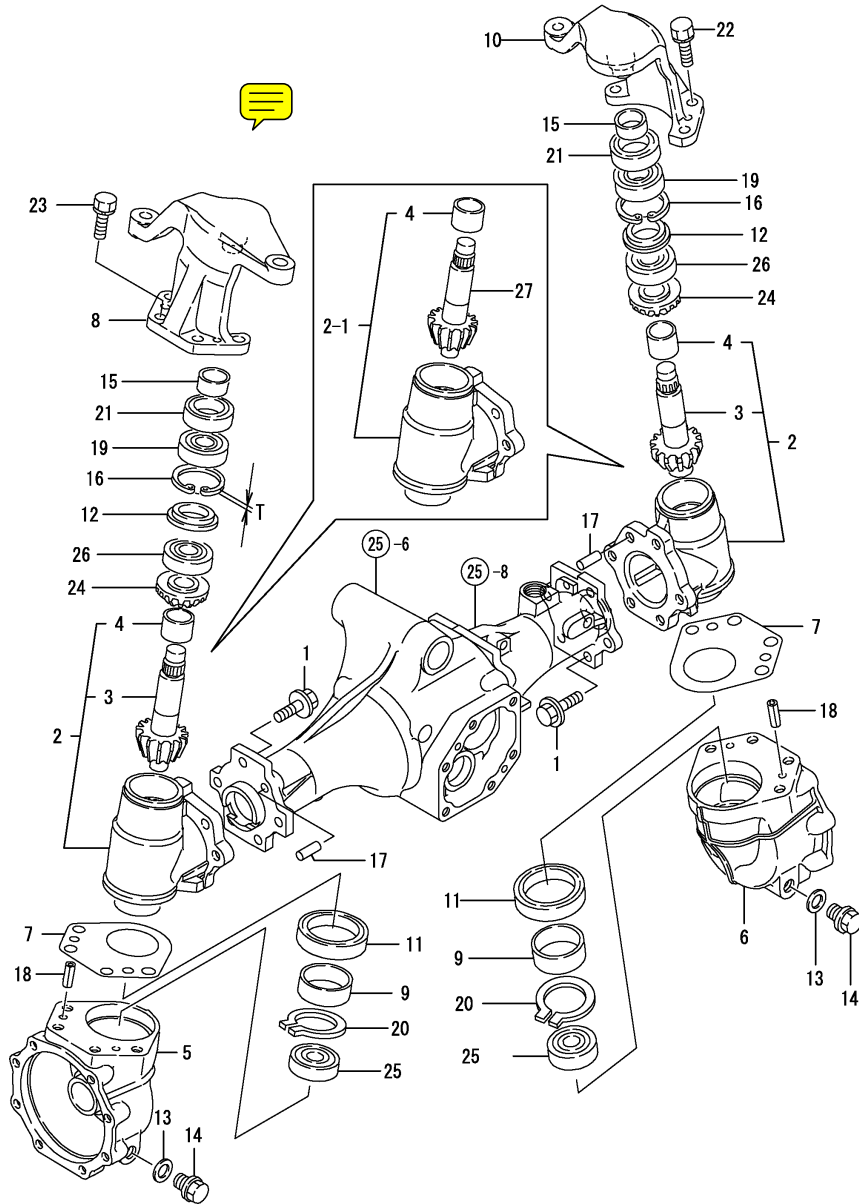
(D)=
(E)=
(F)=

REF.	LEV.	PARTS NO.	DESCRIPTION	QTY						I	R
				(A)	(B)	(C)	(D)	(E)	(F)		
1	1	198165-13511	SHAFT L,FRONT 1	1	1						
2	1	198165-13521	SHAFT R,FRONT 1	1	1						
3	1	198165-13531	GEAR 16T, FRONT	2	2						
4	1	24101-062054	BEARING #6205	2	2						
5	1	194447-13490	CAP W/DIPSTICK	1	1						
6	1	198165-13600	CASE L COMP, F. AXLE	1	1						
7	2	194850-13660	BUSH	2	2						
8	1	198165-13620	CASE R,FRONT AXLE	1	1						
9	1	198165-13630	COVER, F.AXLE CASE	1	1						
10	1	194855-24020	SEALANT	1	1						
11	1	198165-24440	GASKET(20*12*2	1	1						
12	1	198165-24490	BOLT M 12X 12 PLATED	1	1						
13	1	22252-000520	CIRCLIP 52	1	1						
14	1	22351-080020	SPRING PIN 8X20	2	2						
15	1	24311-000180	O-RING 1A P-18.0	1	1						
16	1	24321-000500	O-RING 1A G-50.0	2	2						
17	1	24321-001150	O-RING 1A G-115.0	1	1						
18	1	24421-173007	SEAL TC17 30 07, OIL	1	1						
19	1	26013-100302	BOLT M10X 30	6	6						
20	1	26016-100302	BOLT M10X 30	6	6						

Fig.26. FRONT GEAR CASE

(A)=KE-170H
(B)=KE-200H
(C)=

(D)=
(E)=
(F)=



REF.	LEV.	PARTS NO.	DESCRIPTION	QTY						I	R
				(A)	(B)	(C)	(D)	(E)	(F)		
1	1	198165-11350	BOLT M 10X 25	10	10						
2	1	198165-13700	CASE,SIDE GEAR KIT	2	2						
I 2-1	1	1A6780-13700	CASE,SIDE GEAR CMP	2	2						N
		(A=*2008.01.) (B=F131425)									
I 3	2	198165-13814	PINION, FINAL	2	2						Z
		(A=*2008.01.) (B=F131425)									
4	2	198165-13840	BUSHING 27*1.5	2	2						
5	1	198165-13730	GEAR BOX L,FRONT	1	1						
6	1	198165-13740	GEAR BOX R,FRONT	1	1						
7	1	198165-13750	SHIM	2	2						
8	1	198165-13760	SUPPORT L,KING PIN	1	1						
9	1	194516-13770	SLEEVE SI455016	2	2						
10	1	198165-13770	SUPPORT R,KING PIN	1	1						
11	1	194516-13780	SEAL TC6Y 506812.5	2	2						
12	1	1D4110-13870	WASHER	2	2						
13	1	198165-24440	GASKET(20*12*2	2	2						
14	1	198165-24490	BOLT M 12X 12 PLATED	2	2						
15	1	1E6190-54080	SLEEVE SI25X30X13	2	2						
16	1	22252-000470	CIRCLIP 47(H)	2	2						
I 16-1	1	1A6780-13890	RING 47	2	2						S 1
		(A=*2008.01.) (B=F131425)									
17	1	22312-100200	PARALLEL PIN 10X20	2	2						
18	1	22351-080020	SPRING PIN 8X20	4	4						
19	1	24104-062044	BALL BEARING	2	2						
20	1	24164-000452	CIRCLIP, NEEDLE	2	2						
21	1	24421-304708	SEAL TC30 47 08, OIL	2	2						
22	1	26013-100302	BOLT M10X 30	4	4						
23	1	26013-100352	BOLT M10X 35	4	4						
24	1	198165-13531	GEAR 16T, FRONT	2	2						
25	1	194670-25370	BALL BEARING	2	2						
26	1	24104-063034	BALL BEARING	2	2						
I 27	1	198165-13815	PINION, FINAL	2	2						W
		(A=*2008.01.) (B=F131425)									

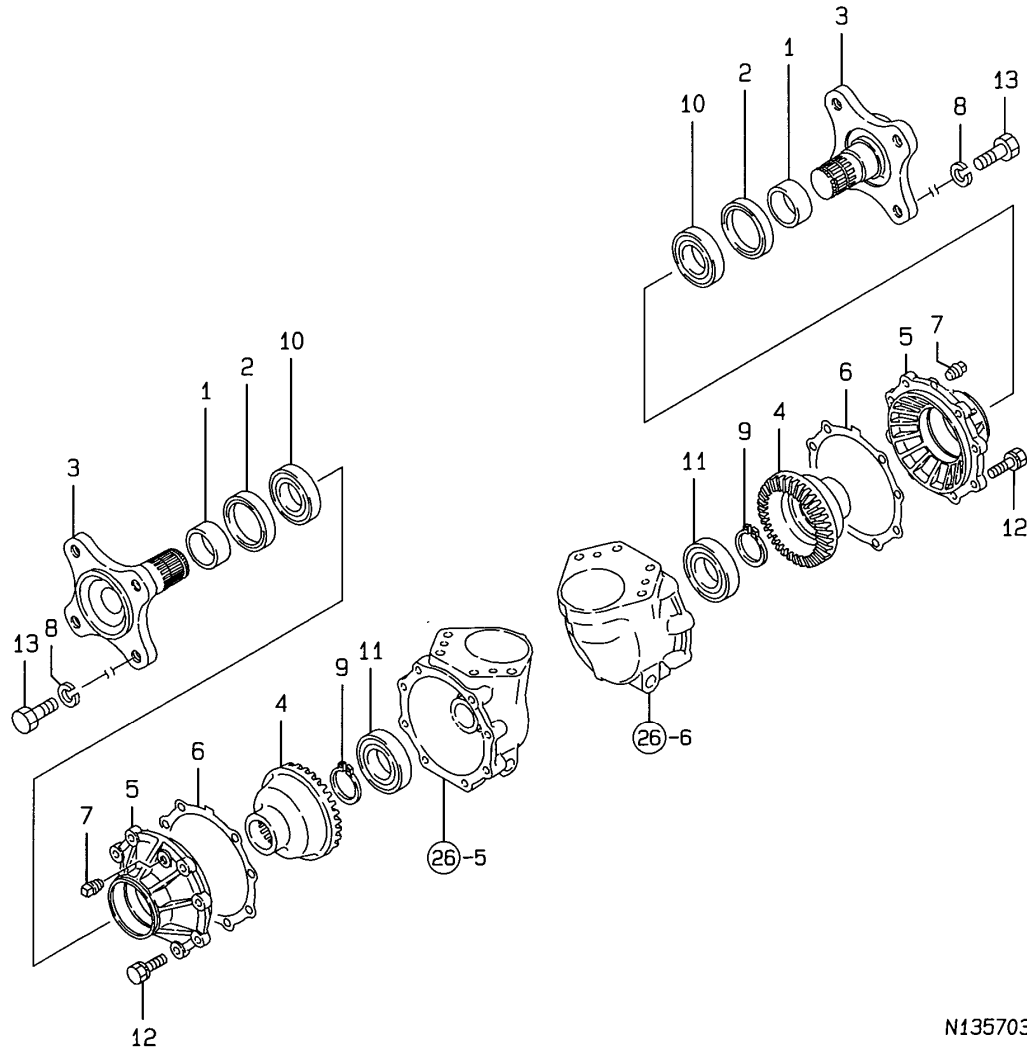
Remarks

(1) T= REF.NO.16 1.75M/M. 16-1 2M/M

N:Old $\xrightarrow{\text{Yes}}$ New, Q:Old $\xrightarrow{\text{No}}$ New, R:Old $\xrightarrow{\text{Yes}}$ New, S:Old $\xrightarrow{\text{No}}$ New, W:Add, Z:Discontinued, F:Interchangeable by set, K:Q'ty Change

Fig.28. FRONT SPINDLE

28. FRONT SPINDLE



N135703

0CNP3-G67600 28. FRONT SPINDLE

(A)=KE-170H
(B)=KE-200H
(C)=

(D)=
(E)=
(F)=

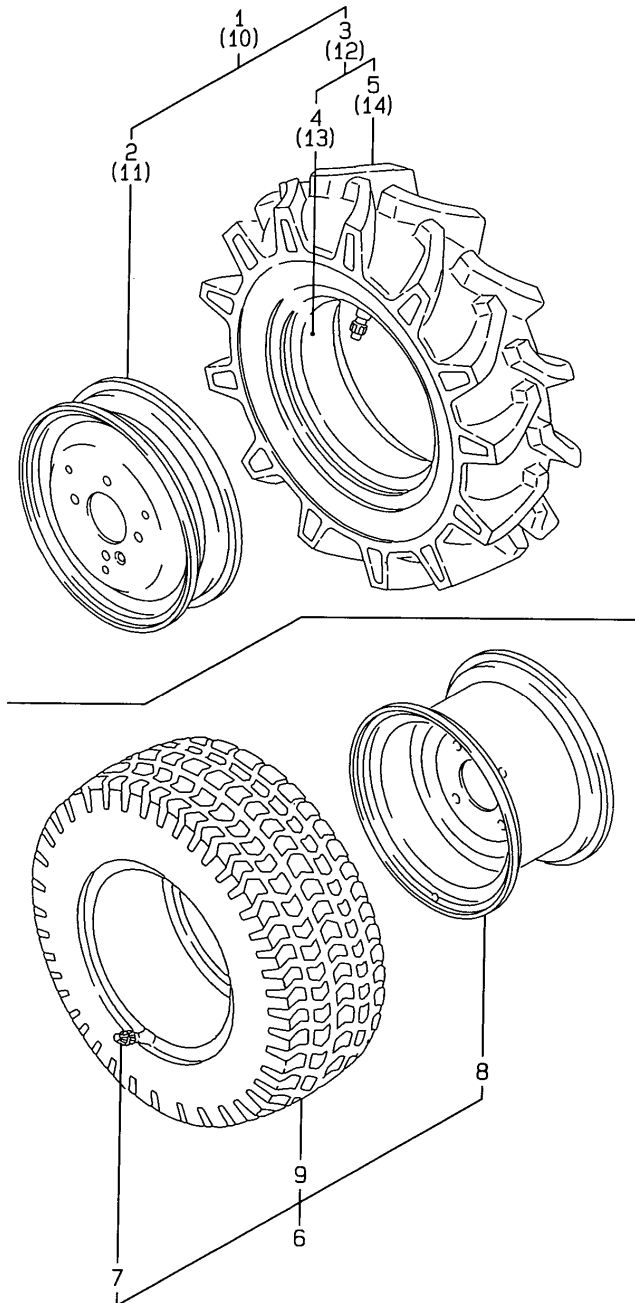
REF.	LEV.	PARTS NO.	DESCRIPTION	QTY						I	R
				(A)	(B)	(C)	(D)	(E)	(F)		
1	1	194314-11880	SLEEVE 40X45X18	2	2						
2	1	194314-12720	SEAL TC6Y 45 62 14	2	2						
3	1	198421-14110	SPINDLE,FRONT	2	2						
4	1	198165-14120	FINAL GEAR, FRONT	2	2						
5	1	198165-14130	BEARING CASE,FRONT	2	2						
6	1	198165-14140	PACKING,BEARING CASE	2	2						
7	1	194151-36670	PLUG PT02	2	2						
8	1	22217-140000	SPRING WASHER 14	8	8						
9	1	22242-000350	CIRCLIP 35	2	2						
10	1	24101-060084	BALL BEARING	2	2						
11	1	24101-062074	BALL BEARING	2	2						
12	1	26016-080252	BOLT M 8X 25	16	16						
13	1	26086-140252	BOLT 14* 25	8	8						

Fig.30. FRONT WHEEL TIRE

(A)=KE-170H
(B)=KE-200H
(C)=

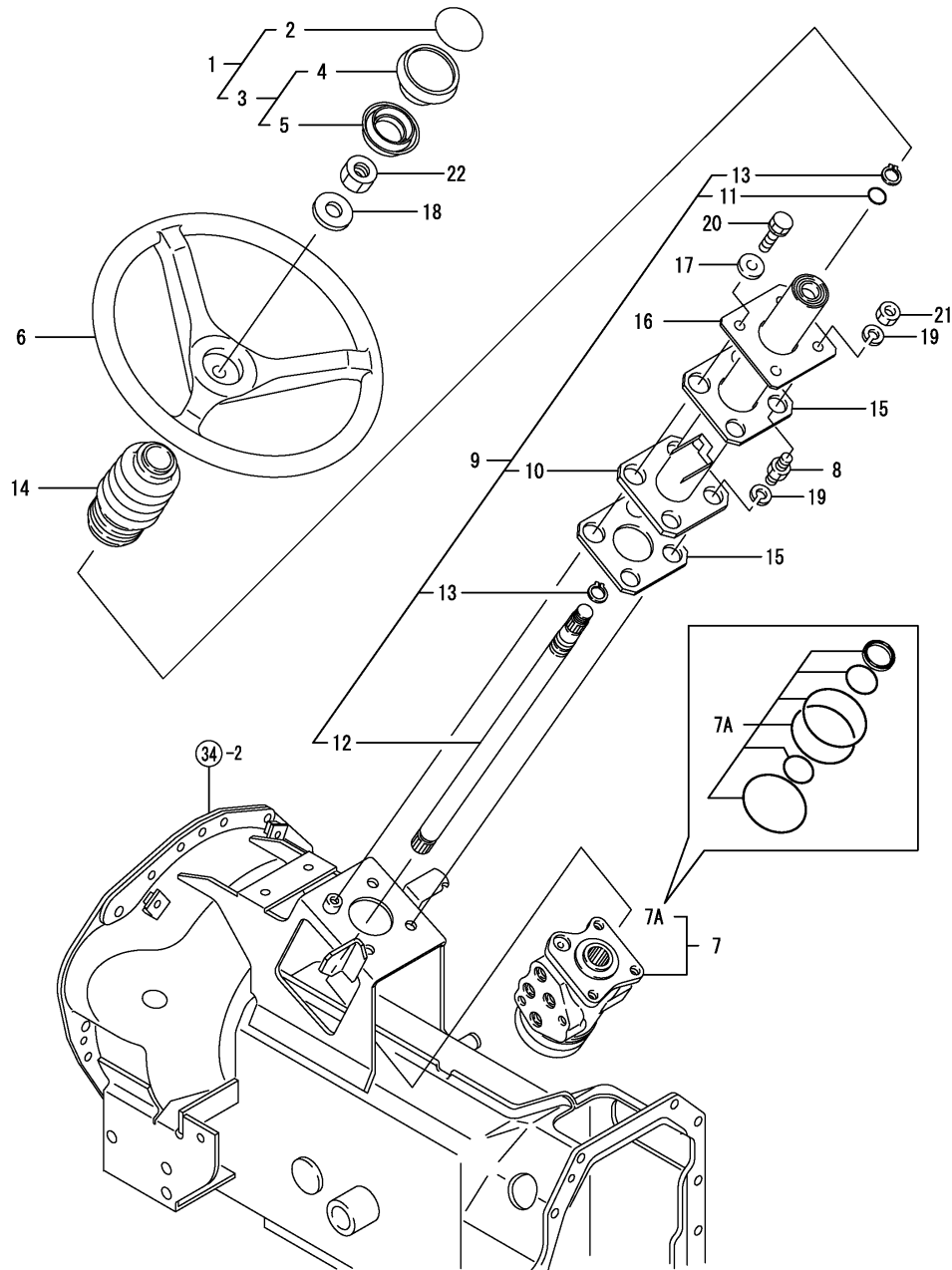
(D)=
(E)=
(F)=

30. FRONT WHEEL TIRE



REF.	LEV.	PARTS NO.	DESCRIPTION	QTY						I	R
				(A)	(B)	(C)	(D)	(E)	(F)		
1	1	1A6640-14710	TIRE L KIT,FRONT WH.	1	1						
2	2	1A6640-14750	WHEEL DC3.00DX12	1	1						
3	2	198165-14860	TIRE, CMP 5.00-12	1	1						
4	3	198531-14750	TUBE	1	1						
5	3	198165-14870	TIRE 5.00-12	1	1						
I	6	1A6640-14730	TIRE KIT,FRONT	2	2						
I	7	194136-12880	VALVE TR413	2	2						
I	8	1A6640-14780	WHEEL 7JAX12WDC	2	2						
I	9	198165-14890	TIRE 23*8.50-12	2	2						
10	1	1A6640-14810	TIRE R KIT,FRONT	1	1						
11	2	1A6640-14750	WHEEL DC3.00DX12	1	1						
12	2	198165-14860	TIRE, CMP 5.00-12	1	1						
13	3	198531-14750	TUBE	1	1						
14	3	198165-14870	TIRE 5.00-12	1	1						

Fig.31. STEERING & PST VALVE



OCNP3-G67600 31. STEERING & PST VALVE

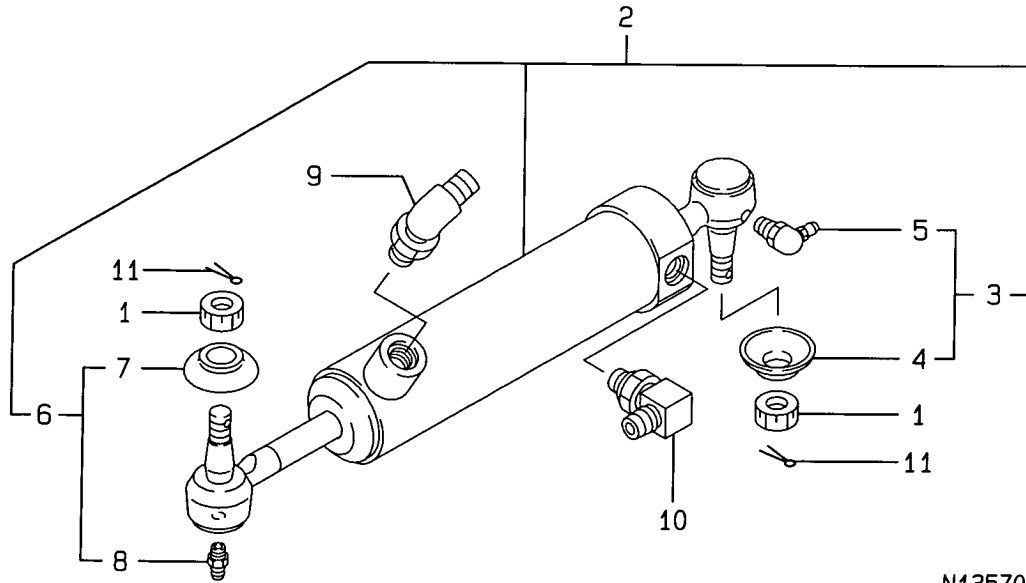
(A)=KE-170H
(B)=KE-200H
(C)=

(D)=
(E)=
(F)=

REF.	LEV.	PARTS NO.	DESCRIPTION	QTY						I	R
				(A)	(B)	(C)	(D)	(E)	(F)		
1	1	198164-15750	CAP KIT,S WHEEL	1	1						
2	2	198164-15780	MARK,STEERING	1	1						
3	2	198164-15790	CAP CMP.,S WHEEL	1	1						
4	3	198164-15760		1	1						
5	3	198164-15770	WHEEL CAP S, INNER	1	1						
6	1	1C1100-21010	WHEEL, STEERING	1	1						
7	1	198167-17300	VALVE H, P.STEERING	1	1						
I 7A	2	198165-17350	SEAL KIT	1	1						W
		(A=*2006.12.)	(B=*2006.12.)								
8	1	198165-17310	BOLT M 10, ST COLUM	3	3						
9	1	198165-17411	COLUMN SET	1	1						
10	2	198165-17421	COLUMN,CMP P.S.T	1	1						
11	2	198164-17450	PACKING	1	1						
12	2	198165-17461	SHAFT, STEERING	1	1						
13	2	22242-000200	CIRCLIP 20	2	2						
14	1	198165-17470	BOOT, STEERING	1	1						
15	1	198165-17481	RUBBER, ST COLUMN	2	2						
16	1	198165-17501	PLATE, ST COLUMN	1	1						
17	1	22137-100000	WASHER 10,POLISHED	1	1						
18	1	22137-160000	WASHER 16,POLISHED	1	1						
19	1	22217-100000	SPRING WASHER 10	6	6						
20	1	26016-100162	BOLT M10X 16	1	1						
21	1	26736-100002	NUT M10	3	3						
22	1	26776-160002	LOCK NUT M16 PLATED	1	1						

Fig.32. P.S.T CYLINDER

32. P.S.T CYLINDER



N135707

OCNP3-G67600 32. P.S.T CYLINDER

(A)=KE-170H
(B)=KE-200H
(C)=

(D)=
(E)=
(F)=

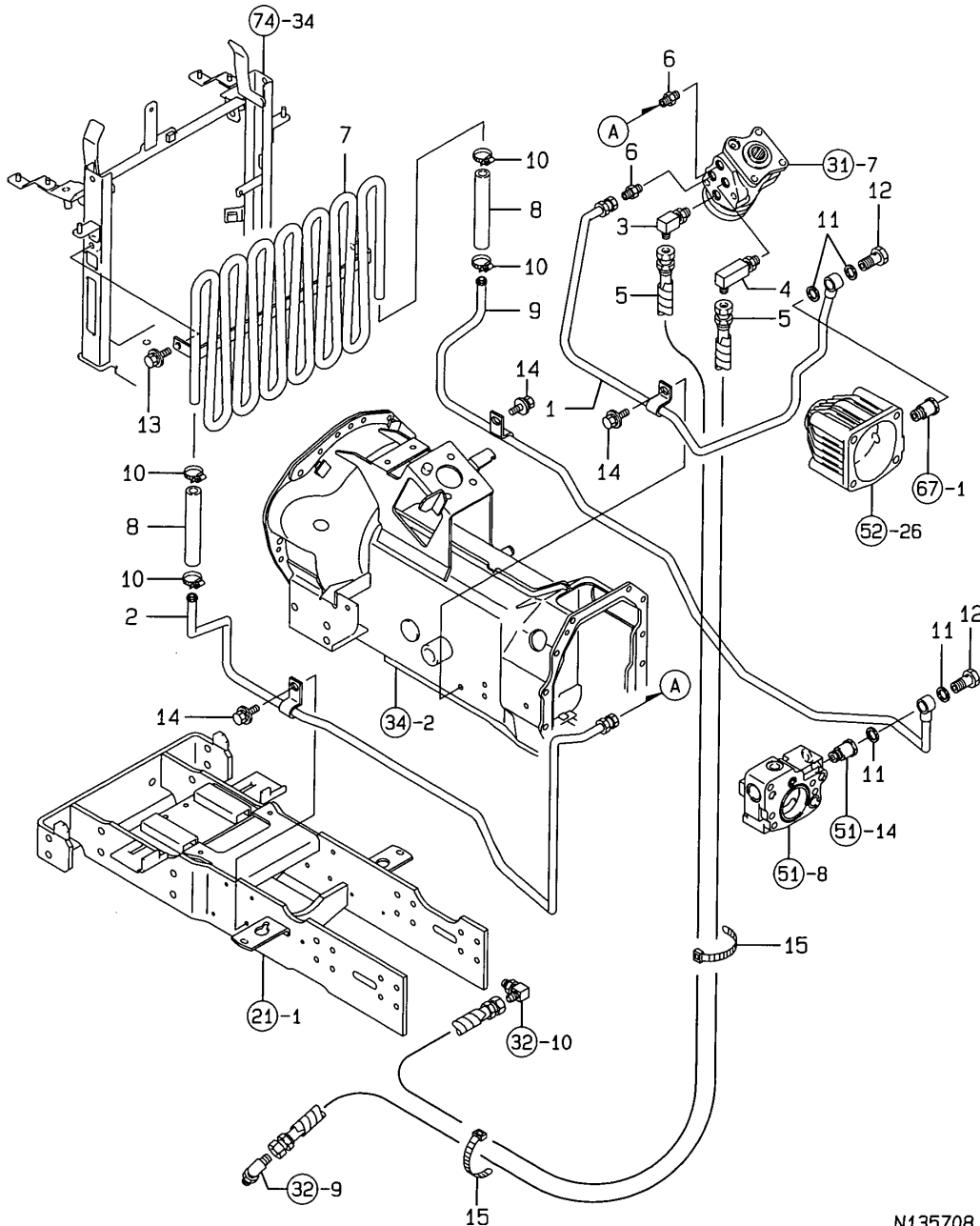
REF.	LEV.	PARTS NO.	DESCRIPTION	QTY						I	R
				(A)	(B)	(C)	(D)	(E)	(F)		
1	1	194215-12341	NUT	2	2						
2	1	198165-17540	CYLINDER, CMP P.S.T	1	1						
3	2	198165-12320	ROD END, A	1	1						
4	3	194300-13340	COVER,DUST	1	1						
5	3	198435-16230	GREASE FITTING	1	1						
6	2	198165-12420	ROD END, C	1	1						
7	3	194300-13340	COVER,DUST	1	1						
8	3	24761-060000	NIPPLE MT6X1, GREASE	1	1						
9	1	198165-17711	ELBO, 45	1	1						
10	1	198165-17781	ELBO, 1/4X1/4	1	1						
11	1	22417-250250	COTTER PIN 2.5X25	2	2						

Fig.33. P.S.T. PIPING

(A)=KE-170H
(B)=KE-200H
(C)=

(D)=
(E)=
(F)=

33. P.S.T. PIPING



REF.	LEV.	PARTS NO.	DESCRIPTION	QTY						I	R
				(A)	(B)	(C)	(D)	(E)	(F)		
1	1	198167-17660	PIPE,HI-PRESSURE P.S	1	1						
2	1	198167-17670	PIPE,OUT LET P.S.T	1	1						
3	1	198165-17731	ELBO, 1/4X9/16	1	1						
4	1	198165-17741	ELBO L, 1/4X9/16	1	1						
5	1	198165-17751	HOSE HYD C, P.S.T	2	2						
6	1	198165-17790	CONNECTOR	2	2						
7	1	198167-29950	CULLAR, OIL	1	1						
8	1	198167-29970	DRAIN HOSE, OIL CULL	2	2						
9	1	198167-29980	PIPE, DRAIN	1	1						
10	1	23000-022000	CLAMP 22	4	4						
11	1	23414-160021	GASKET 16	4	4						
12	1	23857-100000	JOINT BOLT 10	2	2						
13	1	26018-080202	BOLT M 8X 20	2	2						
14	1	26018-080202	BOLT M 8X 20	3	3						
15	1	29622-140001	BAND 140	6	6						

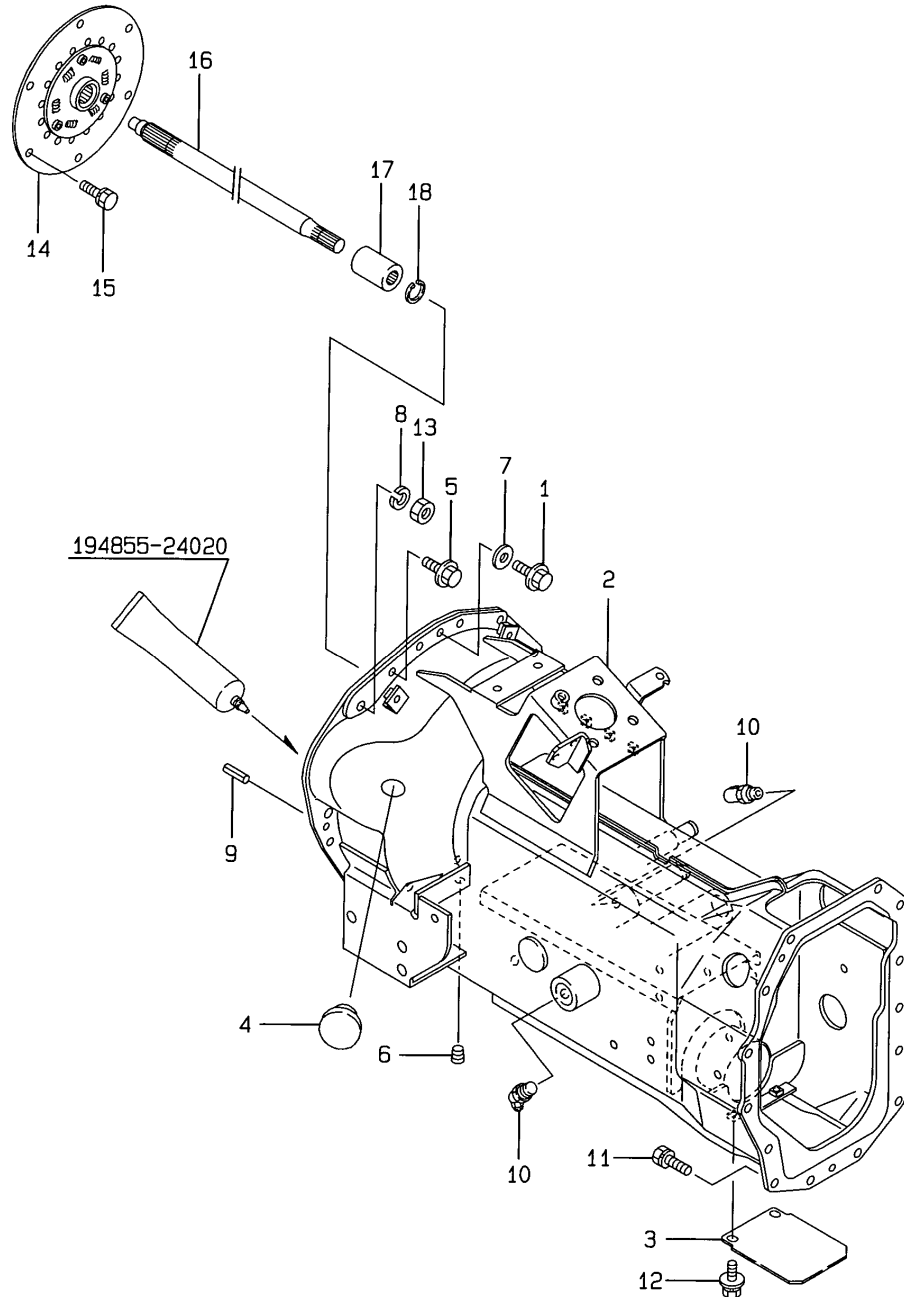
N135708

Fig.34. CLUTCH HOUSING

(A)=KE-170H
(B)=KE-200H
(C)=

(D)=
(E)=
(F)=

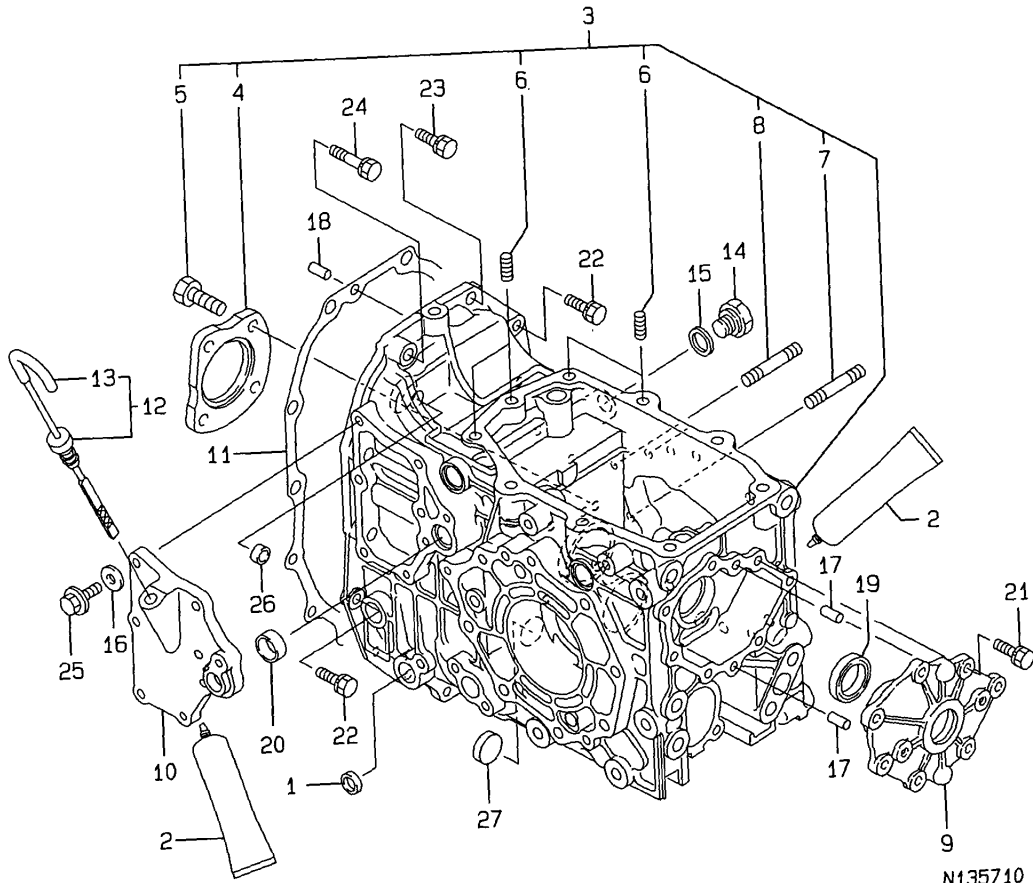
34. CLUTCH HOUSING



REF.	LEV.	PARTS NO.	DESCRIPTION	QTY						I	R
				(A)	(B)	(C)	(D)	(E)	(F)		
1	1	198165-13650	BOLT M 8X 16 PLATED	3	3						
2	1	1A6640-21100	HOUSING COMP.,CLUTCH	1	1						
3	1	198167-21210	COVER(C/H)	1	1						
4	1	194300-21460	CAP	2	2						
5	1	198165-21490	BOLT M 8X 20 PLATED	9	9						
6	1	194151-36670	PLUG PT02	1	1						
7	1	22137-080000	WASHER 8, POLISHED	3	3						
8	1	22217-100000	SPRING WASHER 10	2	2						
9	1	22351-080016	SPRING PIN 8X16	2	2						
10	1	24761-040000	NIPPLE B,GREASE	1	1						
11	1	26016-080202	BOLT M 8X 20	14	14						
12	1	26018-080162	BOLT M 8X 16	2	2						
13	1	26716-100002	NUT 10	2	2						
14	1	198167-21410	DISC ,DANPER	1	1						
15	1	26013-080162	BOLT W/WASHER M8X16	6	6						
16	1	198167-22110	SHAFT,MAIN DRIVE	1	1						
17	1	194300-25100	COUPLING	1	1						
18	1	22252-000150	CIRCLIP 15	1	1						

Fig.35. TRANSMISSION CASE

35. TRANSMISSION CASE



N135710

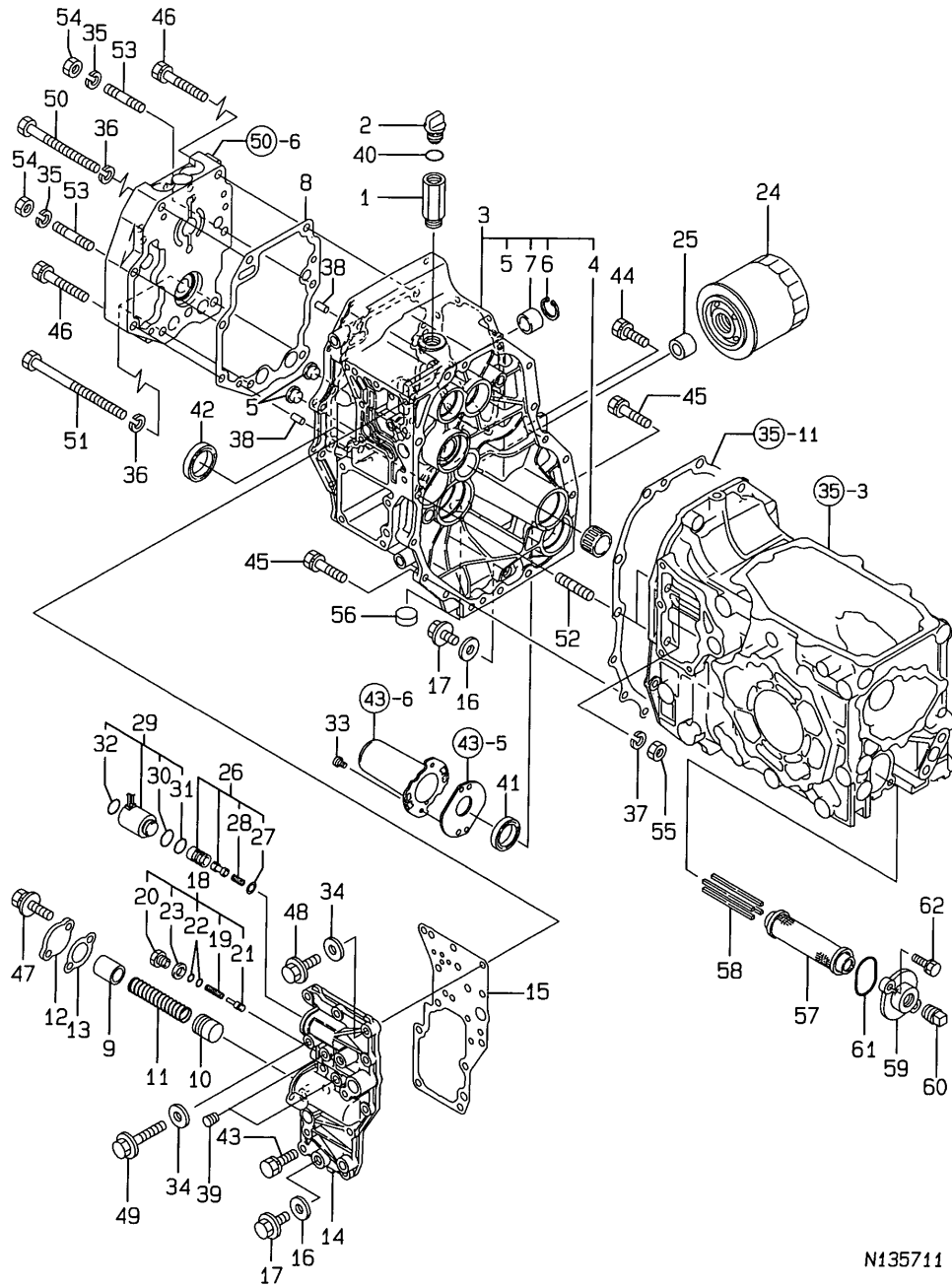
(A)=KE-170H
(B)=KE-200H
(C)=

(D)=
(E)=
(F)=

REF.	LEV.	PARTS NO.	DESCRIPTION	QTY						I	R
				(A)	(B)	(C)	(D)	(E)	(F)		
1	1	194197-21170	PLUG 17,BORE	1	1						
2	1	194855-24020	SEALANT	1	1						
3	1	1A6640-24100	CASE,TRANSMISSION	1	1						
4	2	198165-25851	HOLDER,BEARING	1	1						
5	2	198165-25870	BOLT 10* 20	4	4						
6	2	26216-100252	STUD M10X 25 PLATED	4	4						
7	2	26216-100602	STUD M10X 60 PLATED	1	1						
8	2	26226-080602	STUD 8X60	1	1						
9	1	198165-24120	REAR COVER,T.MISSION	1	1						
10	1	198167-24150	PLATE, SIDE	1	1						
11	1	198165-24160	PACKING,MISSION CASE	1	1						
12	1	198167-24960	GAUGE,CMP OIL LEVEL	1	1						
13	2	194850-24990	TUBE	1	1						
14	1	194312-46750	PLUG PF3/8	1	1						
15	1	194555-77910	GASKET	1	1						
16	1	22190-080000	SEAL WASHER 8(BOLT)	6	6						
17	1	22312-080160	PARALLEL PIN 8X 16	2	2						
18	1	22312-080160	PARALLEL PIN 8X 16	2	2						
19	1	24421-284008	SEAL TC28 40 08, OIL	1	1						
20	1	24550-020100	BUSH	1	1						
21	1	26016-080252	BOLT M 8X 25	7	7						
22	1	26016-080302	BOLT M 8X 30	2	2						
23	1	26016-100302	BOLT M10X 30	1	1						
24	1	26016-100452	BOLT M10X 45	1	1						
25	1	26106-080252	BOLT M 8X 25 PLATED	6	6						
26	1	27260-150000	PLUG 15,BORE	1	1						
27	1	27260-260000	PLUG 26,BORE	1	1						

Fig.36. CENTER PLATE

36. CENTER PLATE



N135711

(A)=KE-170H
(B)=KE-200H
(C)=

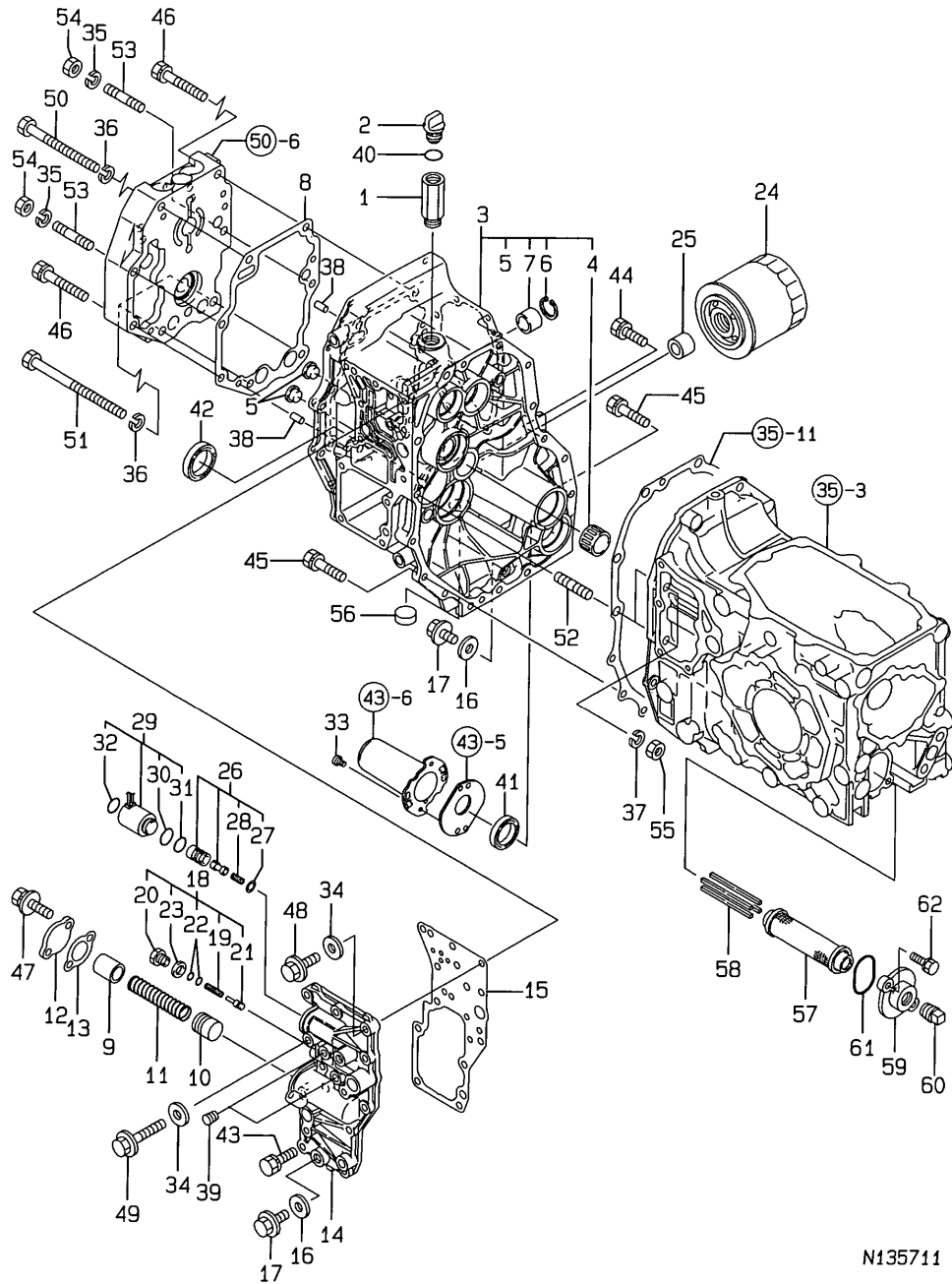
(D)=
(E)=
(F)=

REF.	LEV.	PARTS NO.	DESCRIPTION	QTY						I	R
				(A)	(B)	(C)	(D)	(E)	(F)		
1	1	195450-13140	PIPE L,LUB.OIL	1	1						
2	1	194855-24290	CAP M20, OIL	1	1						
3	1	198167-24300	HOUSING,CMP CENTER	1	1						
4	2	198167-24390	NEEDLE BEARING,2516	1	1						
5	2	192157-24801	STRAINER	2	2						
6	2	24165-000322	CIRCLIP 32	1	1						
7	2	24550-028200	BUSH 28X20	1	1						
8	1	198167-24330	PACKING, C.HOUSING	1	1						
9	1	198167-24340	COLLAR A, ACC	1	1						
10	1	198167-24350	PISTON, ACC	1	1						
11	1	198167-24360	SPRING, ACC	1	1						
12	1	198167-24370	COVER, ACC	1	1						
13	1	198167-24380	PACKING, COVER ACC	1	1						
14	1	198167-24400	COVER L, SIDE	1	1						
15	1	198167-24410	PACKING,SIDE COVER L	1	1						
16	1	198165-24440	GASKET(20*12*2	2	2						
17	1	198165-24490	BOLT M 12X 12 PLATED	2	2						
18	1	198167-24500	RELIEF, KIT PTO	1	1						
19	2	192157-24760	SPRING, PTO	1	1						
20	2	192157-24770	PLUG, PTO	1	1						
21	2	192157-24780	RELIEF VALVE	1	1						
22	2	1E6217-56160	SHIM 0.5	2	2						
23	2	23414-120016	GASKET 12	1	1						
24	1	192157-24950	OIL FILTER	1	1						
25	1	198167-24950	JOINT	1	1						
26	1	192157-26610	VALVE CMP(SOLENOIDO	1	1						
27	2	192157-26600	SHIM	1	1						
I 28	2	192157-26640	SPRING, SOLENOID	1	1						
29	1	192159-27700	SOLENOID ASSY	1	1						
30	2	192159-27780	GASKET,SOLENOID	1	1						
I 31	2	24311-000180	O-RING 1A P-18.0	1	1						
32	2	24341-000112	O-RING 1A S-11.2	1	1						
33	1	194250-32530	PIN, COVER HOOK	2	2						
34	1	22190-080000	SEAL WASHER 8(BOLT)	7	7						
35	1	22287-100000	WASHER 10	2	2						
36	1	22287-100000	WASHER 10	3	3						
37	1	22287-100000	WASHER 10	2	2						
38	1	22312-080160	PARALLEL PIN 8X 16	4	4						
39	1	23871-010000	PLUG PT1/8,SCREW	2	2						
40	1	24341-000180	O-RING 1A S-18.0	1	1						
41	1	24421-304208	SEAL TC30 42 08, OIL	1	1						
42	1	24421-304708	SEAL TC30 47 08, OIL	1	1						
43	1	26016-080302	BOLT M 8X 30	4	4						
44	1	26016-080302	BOLT M 8X 30	3	3						
45	1	26016-080402	BOLT M 8X 40	7	7						
46	1	26016-100602	BOLT	2	2						
47	1	26018-080202	BOLT M 8X 20	2	2						
48	1	26106-080302	BOLT M 8X 30 PLATED	6	6						
49	1	26106-080552	BOLT M 8X 55 PLATED	1	1						
50	1	26116-101052	BOLT M10X105 PLATED	1	1						
51	1	26116-101402	BOLT M10X140 PLATED	2	2						

N:Old $\frac{Yes}{No}$ New, Q:Old $\frac{No}{Yes}$ New, R:Old $\frac{Yes}{Yes}$ New, S:Old $\frac{No}{No}$ New, W:Add, Z:Discontinued, F:Interchangeable by set, K:Q'ty Change
 ++ CONTINUE ++
 (C)Copy Rights YANMAR CO.,LTD.

Fig.36. CENTER PLATE

36. CENTER PLATE



N135711

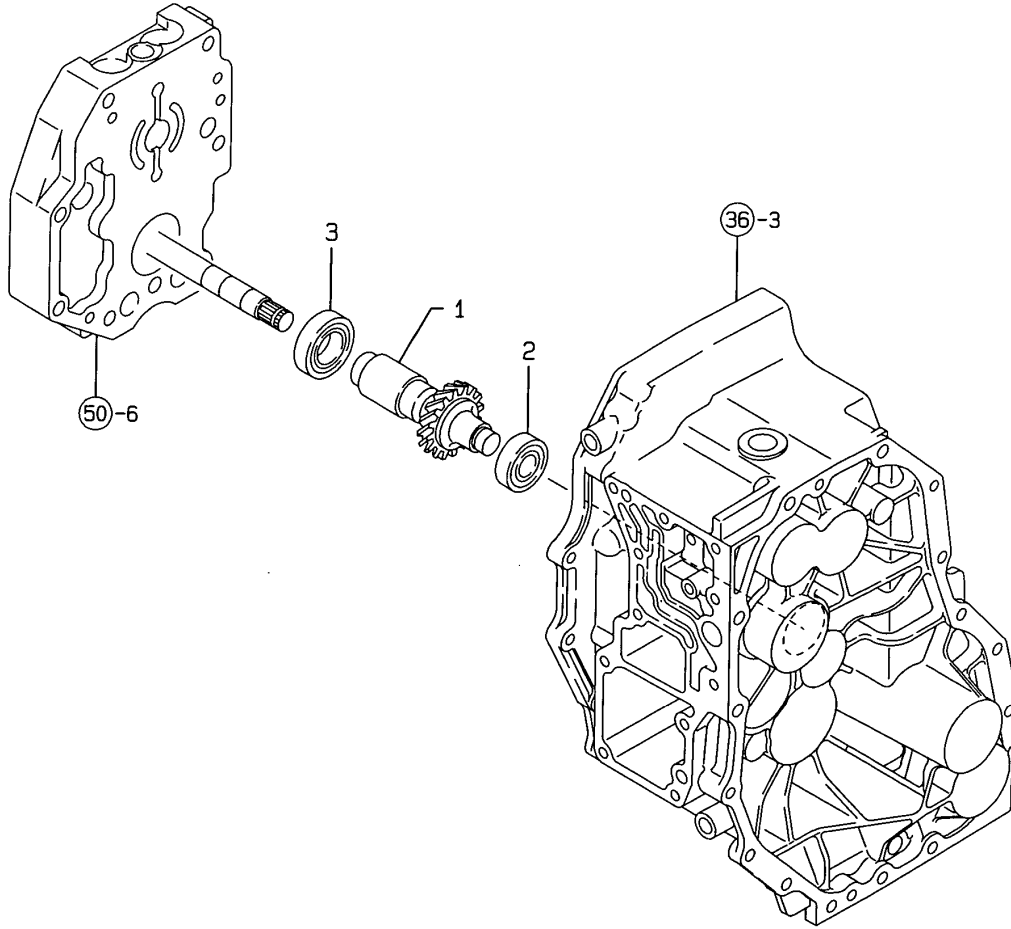
(A)=KE-170H
(B)=KE-200H
(C)=

(D)=
(E)=
(F)=

REF.	LEV.	PARTS NO.	DESCRIPTION	QTY						I	R
				(A)	(B)	(C)	(D)	(E)	(F)		
52	1	26216-100452	STUD M10X 45 PLATED	2	2						
53	1	26226-100552	STUD M10X 55 PLATED	2	2						
54	1	26716-100002	NUT 10	2	2						
55	1	26716-100002	NUT 10	2	2						
56	1	27260-260000	PLUG 26,BORE	1	1						
57	1	198421-24910	STRAINER,OIL	1	1						
58	1	198129-24930	MAGNET, FILTER	4	4						
59	1	194305-24970	COVER, OIL STRAINER	1	1						
60	1	194322-24980	PLUG 1/2-NPT	1	1						
61	1	24341-000500	O-RING 1A S-50.0	1	1						
62	1	26013-080202	BOLT W/WASHER M8X20	2	2						

Fig.37. INPUT SHAFT

37. INPUT SHAFT



0CNP3-G67600 37. INPUT SHAFT

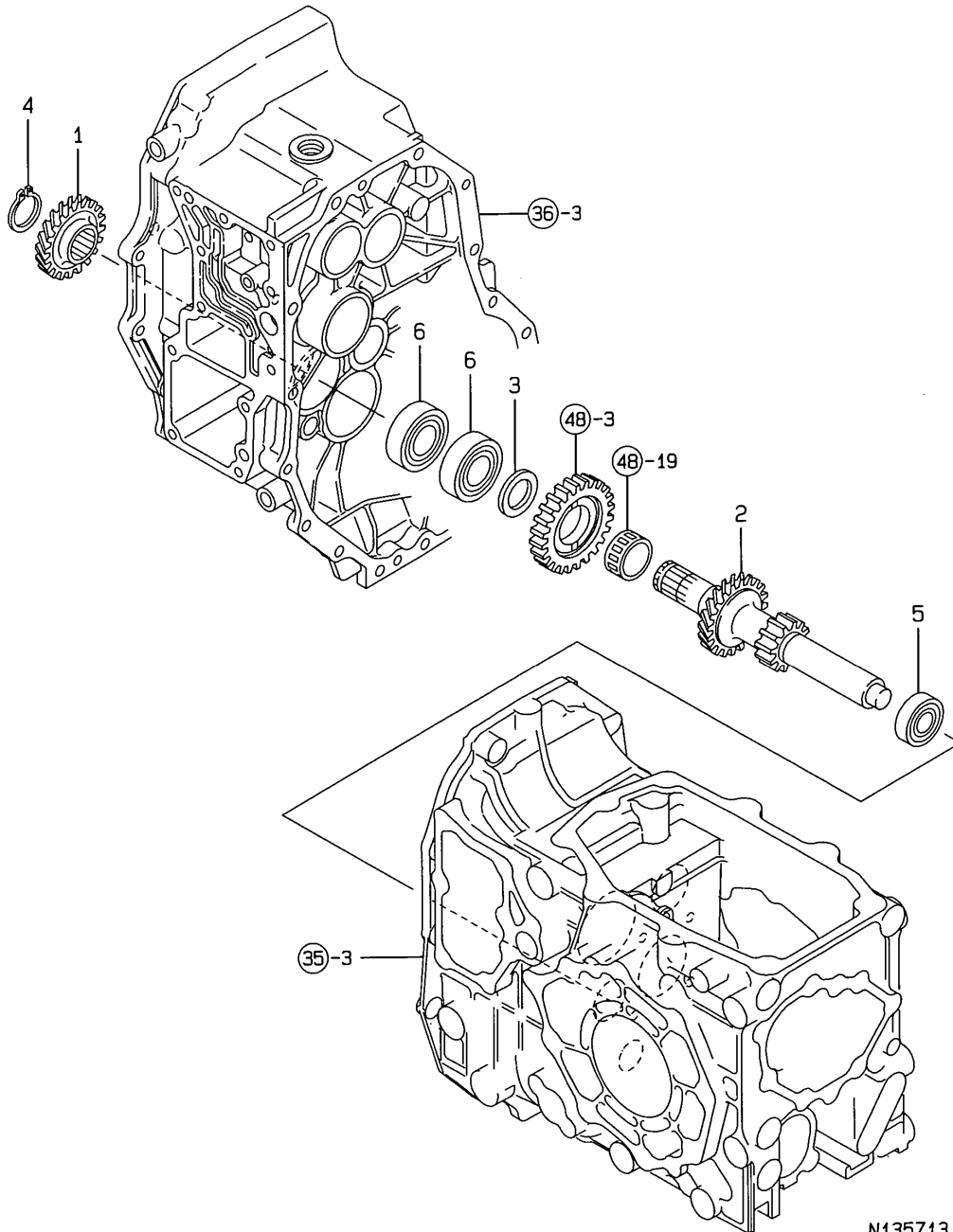
(A)=KE-170H
(B)=KE-200H
(C)=

(D)=
(E)=
(F)=

REF.	LEV.	PARTS NO.	DESCRIPTION	Q'TY						I	R
				(A)	(B)	(C)	(D)	(E)	(F)		
1	1	198167-25100	SHAFT,CMP INPUT	1	1						
2	1	194305-25160	BALL BEARING	1	1						
3	1	24101-060054	BALL BEARING	1	1						

Fig.38. MAIN SHAFT

38. MAIN SHAFT



OCNP3-G67600 38. MAIN SHAFT

(A)=KE-170H
(B)=KE-200H
(C)=

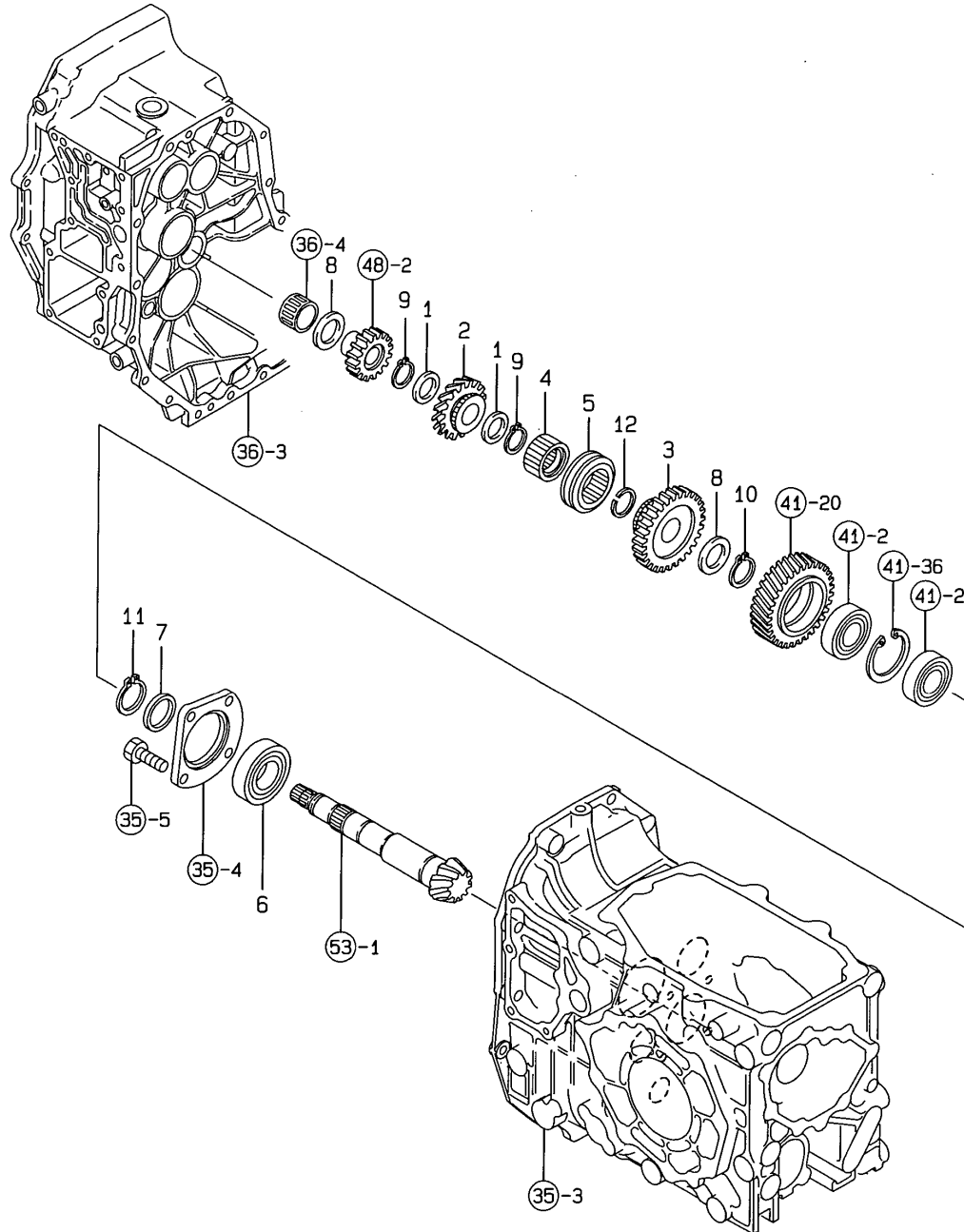
(D)=
(E)=
(F)=

REF.	LEV.	PARTS NO.	DESCRIPTION	QTY						I	R
				(A)	(B)	(C)	(D)	(E)	(F)		
1	1	198167-25170	GEAR 22, DRIVEN	1	1						
2	1	1A6640-25190	SHAFT,MAIN	1	1						
3	1	1E6190-54430	THRUST WASHER (C)	1	1						
4	1	22242-000250	CIRCLIP 25S	1	1						
5	1	24101-062034	BALL BEARING	1	1						
6	1	24104-062054	BALL BEARING	2	2						

N135713

Fig.39. COUNTER SHAFT

39. COUNTER SHAFT



OCNP3-G67600 39. COUNTER SHAFT

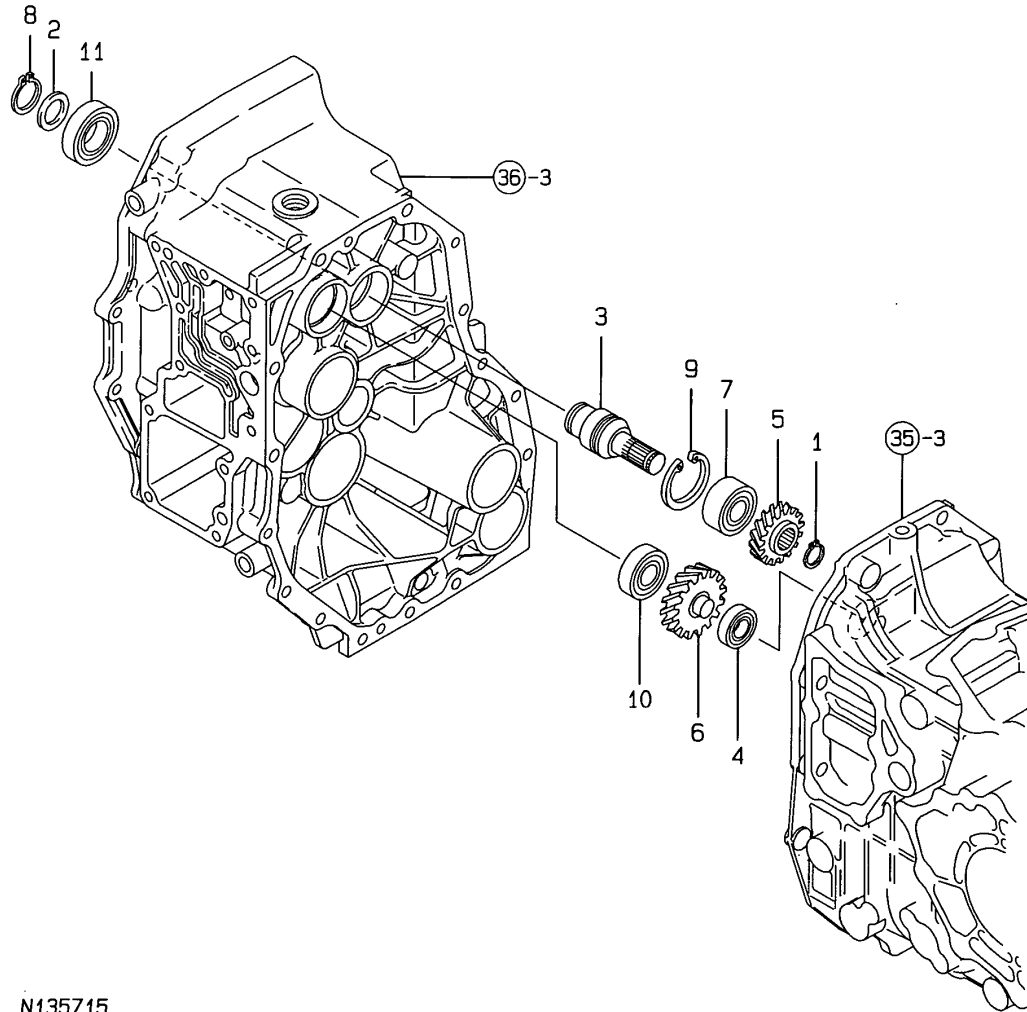
(A)=KE-170H
(B)=KE-200H
(C)=

(D)=
(E)=
(F)=

REF.	LEV.	PARTS NO.	DESCRIPTION	QTY						I	R
				(A)	(B)	(C)	(D)	(E)	(F)		
1	1	194856-25330	WASHER 22X32X2.5	2	2						
2	1	1A6640-25730	GEAR,COUNTER	1	1						
3	1	198167-25740	GEAR LOW, COUNTER	1	1						
4	1	198167-25750	SPLINE COLLAR, H/L	1	1						
5	1	198167-25770	COLLAR, SHIFT	1	1						
6	1	198165-25810	BEARING 6206RSH2	1	1						
7	1	198165-25840	COLLAR 30*38*4.5	1	1						
8	1	1E6190-54430	THRUST WASHER (C)	2	2						
9	1	1E6820-54560	CIRCLIP 22	2	2						
10	1	22242-000250	CIRCLIP 25S	1	1						
11	1	22242-000290	CIRCLIP 29	1	1						
12	1	22292-000240	CIRCLIP S-24	1	1						

Fig.40. P.T.O.DRIVE SHAFT

40. P.T.O.DRIVE SHAFT



(A)=KE-170H
(B)=KE-200H
(C)=

(D)=
(E)=
(F)=

REF.	LEV.	PARTS NO.	DESCRIPTION	QTY						I	R
				(A)	(B)	(C)	(D)	(E)	(F)		
1	1	192167-25310	RING 17	1	1						
2	1	194361-25681	SPACER	1	1						
3	1	198167-26050	SHAFT I/P,CMP PTO	1	1						
4	1	198167-26090	BEARING 6002NC2	1	1						
5	1	198167-26110	GEAR 15,PTO DRIVE	1	1						
6	1	198167-26131	GEAR 18,PTO IDLE	1	1						
7	1	192152-26820	BALL BEARING	1	1						
8	1	22242-000250	CIRCLIP 25S	1	1						
9	1	22252-000400	CIRCLIP 40	1	1						
10	1	24101-062034	BALL BEARING	1	1						
11	1	24104-060054	BALL BEARING	1	1						

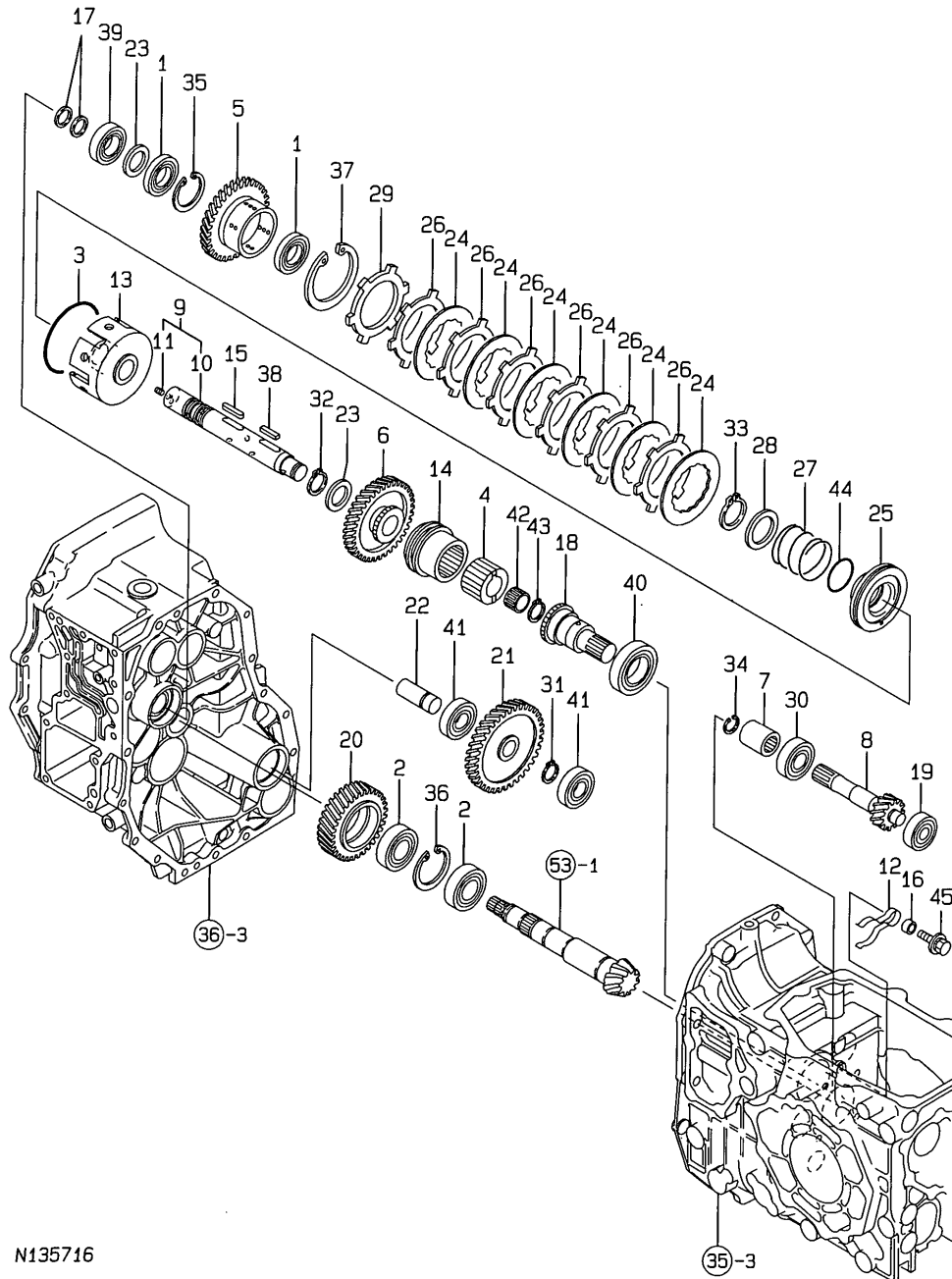
N135715

Fig.41. P.T.O CLUTCH SHAFT

(A)=KE-170H
(B)=KE-200H
(C)=

(D)=
(E)=
(F)=

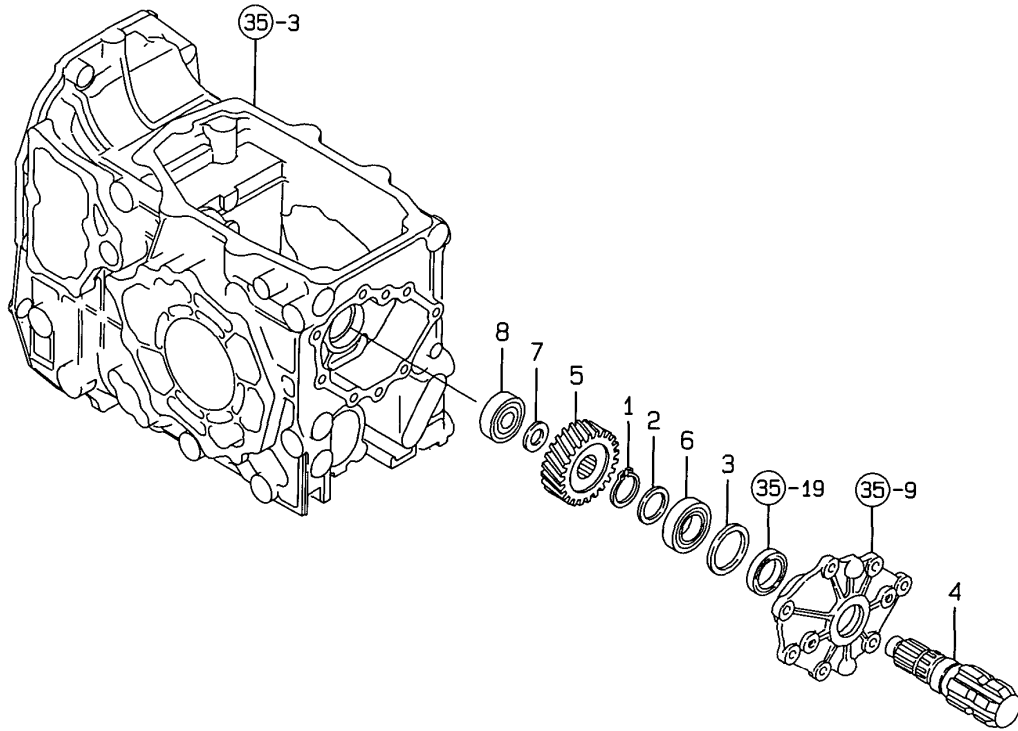
41. P.T.O CLUTCH SHAFT



REF.	LEV.	PARTS NO.	DESCRIPTION	QTY						I	R
				(A)	(B)	(C)	(D)	(E)	(F)		
1	1	1C6560-13170	BEARING 16005,BALL	2	2						
2	1	194640-25390	BALL BEARING	2	2						
3	1	194505-25600	D-RING 80	1	1						
4	1	198165-26150	SPLINE COLLAR, PTO	1	1						
5	1	198167-26160	GEAR, PTO CLUTCH	1	1						
6	1	198167-26170	GEAR 41, PTO DRIVE	1	1						
7	1	198165-26180	JOINT	1	1						
8	1	198165-26190	GEAR 12T,PTO	1	1						
9	1	198167-26190	SHAFT, CMP CLUTCH	1	1						
11	2	1E6191-54330	SCREW 7X8	1	1						
12	1	198165-26210	BRAKE	1	1						
13	1	198167-26211	CYLINDER, CLUTCH	1	1						
14	1	198167-26220	COLLAR, SHIFT	1	1						
15	1	198167-26230	KEY 5X30	1	1						
16	1	198165-26240	COLLAR 15XT2.5	1	1						
17	1	198167-26240	RING, 21X25X3 SEAL	2	2						
18	1	198167-26250	SHAFT,PTO DRIVE OUT	1	1						
19	1	198165-26270	BEARING TMB302	1	1						
20	1	198167-26310	GEAR 35, PTO IDLE	1	1						
21	1	198167-26330	GEAR 45, PTO IDLE	1	1						
22	1	198167-26340	SHAFT, IDLE MID	1	1						
23	1	1E6190-54430	THRUST WASHER (C)	2	2						
24	1	1E6740-54440	PLATE 80, FRICTION	6	6						
25	1	1E6710-54450	PISTON 80	1	1						
26	1	1E6740-54450	PLATE 1.2,STEEL	6	6						
27	1	1E6710-54460	SPRING,CLUTCH RETURN	1	1						
28	1	1E6740-54470	WASHER 34X48X2,THRST	1	1						
29	1	1E6330-54490	PLATE 3.2, STEEL	1	1						
30	1	194405-83910	BEARING TMB204	1	1						
31	1	22242-000200	CIRCLIP 20	1	1						
32	1	22242-000250	CIRCLIP 25S	1	1						
33	1	22242-000340	CIRCLIP 34	1	1						
34	1	22252-000180	CIRCLIP 18	1	1						
35	1	22252-000470	CIRCLIP 47	1	1						
36	1	22252-000520	CIRCLIP 52	1	1						
37	1	22252-000800	CIRCLIP 80	1	1						
38	1	22551-050250	KEY 5X25	1	1						
39	1	24101-060054	BALL BEARING	1	1						
40	1	24101-060074	BALL BEARING	1	1						
41	1	24101-062044	BALL BEARING #6204	2	2						
42	1	24161-202417	BEARING	1	1						
43	1	24164-000202	CIRCLIP 20-S	1	1						
44	1	24341-000355	O-RING 1A S-35.5	1	1						
45	1	26018-080352	BOLT M8X35	1	1						

Fig.42. P.T.O.SHAFT

42. P.T.O.SHAFT



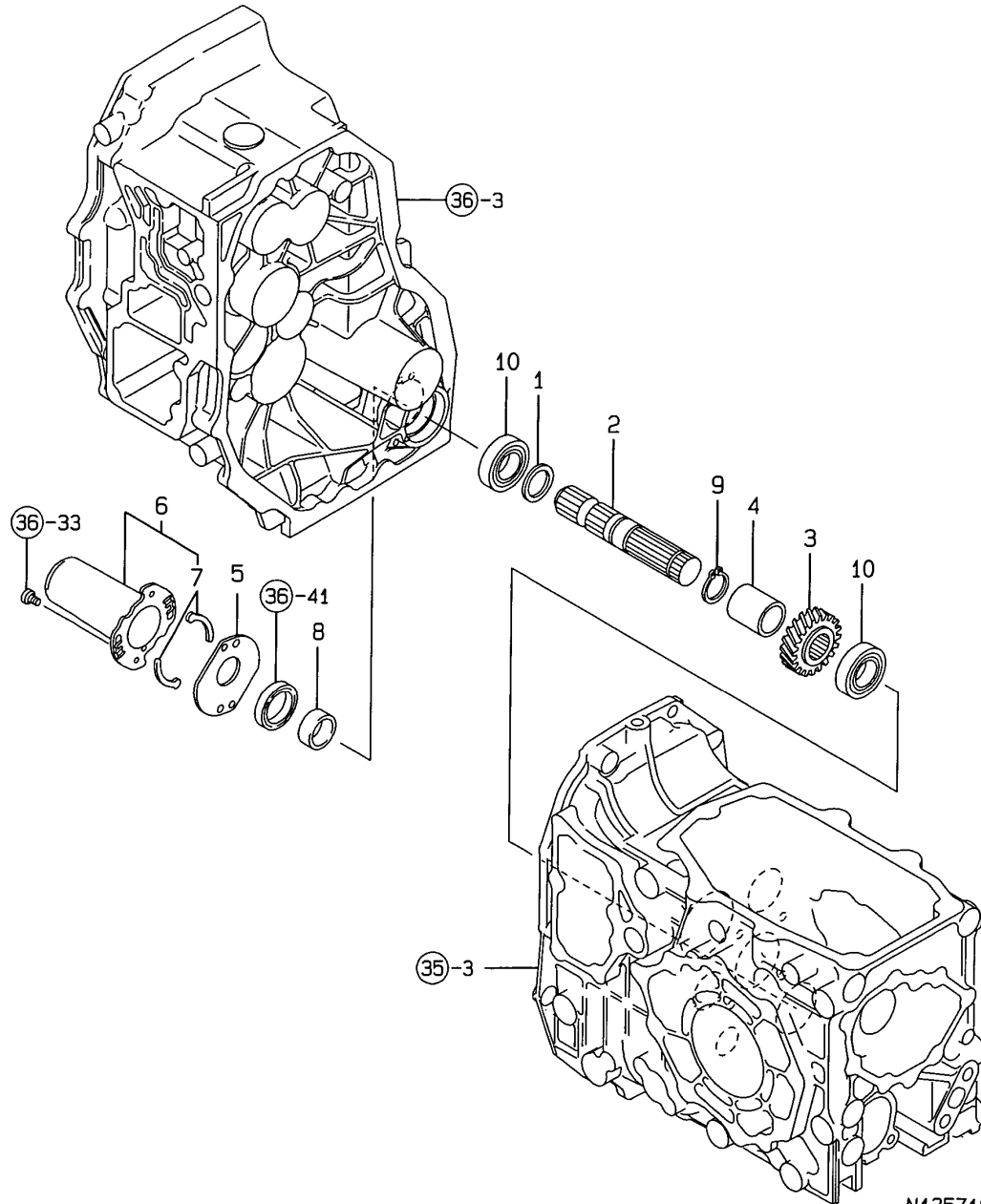
(A)=KE-170H
(B)=KE-200H
(C)=

(D)=
(E)=
(F)=

REF.	LEV.	PARTS NO.	DESCRIPTION	Q'TY						I	R
				(A)	(B)	(C)	(D)	(E)	(F)		
1	1	194306-13140	CIRCLIP 24-S	1	1						
2	1	198421-13650	WASHER 25X34X1.2	1	1						
3	1	194855-24150	WASHER 36X45.5X1.2	1	1						
4	1	198165-26220	SHAFT, PTO	1	1						
5	1	198165-26230	GEAR 25T, PTO REAR	1	1						
6	1	194850-26390	BEARING	1	1						
7	1	1C6220-32250	SPACER 15.5 X 27 X 1	1	1						
8	1	24101-063024	BALL BEARING	1	1						

Fig.43. MID-P.T.O SHAFT

43. MID-P.T.O SHAFT



N135718

OCNP3-G67600 43. MID-P.T.O SHAFT

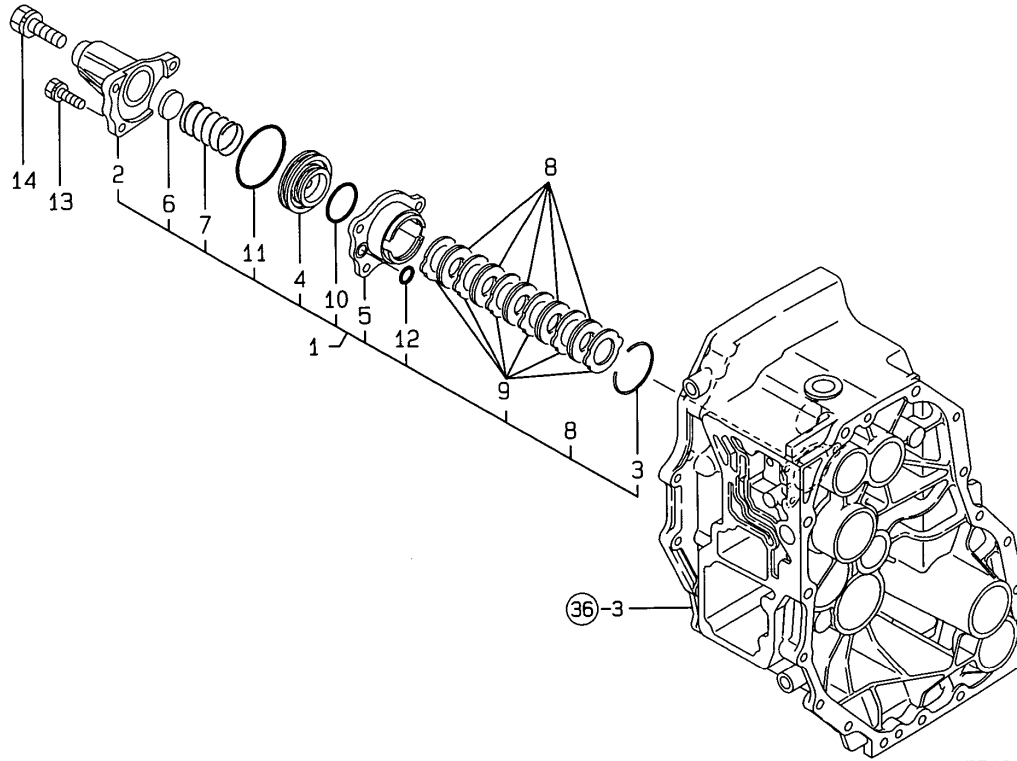
(A)=KE-170H
(B)=KE-200H
(C)=

(D)=
(E)=
(F)=

REF.	LEV.	PARTS NO.	DESCRIPTION	Q'TY						I	R
				(A)	(B)	(C)	(D)	(E)	(F)		
	1	1C6140-14050	SPACER 25.2X34X2	1	1						
I	2	198165-26400	SHAFT,MID PTO	1	1						
I	3	198165-26410	GEAR 22T, MID PTO	1	1						
I	4	198165-26420	COLLAR 26.8X32X36.9	1	1						
	5	198165-26490	COVER,M-PTO OIL SEAL	1	1						
	6	194850-26850	COVER ASSY, SHAFT	1	1						
	7	194850-26870	SPRING, SHIFT COVER	2	2						
	8	1E6190-54080	SLEEVE SI25X30X13	1	1						
I	9	22242-000250	CIRCLIP 25S	1	1						
	10	24101-060054	BALL BEARING	2	2						

Fig.44. P.T.O INARSHAR BRAKE

44. P.T.O INARSHAR BRAKE



N135719

OCNP3-G67600 44. P.T.O INARSHAR BRAKE

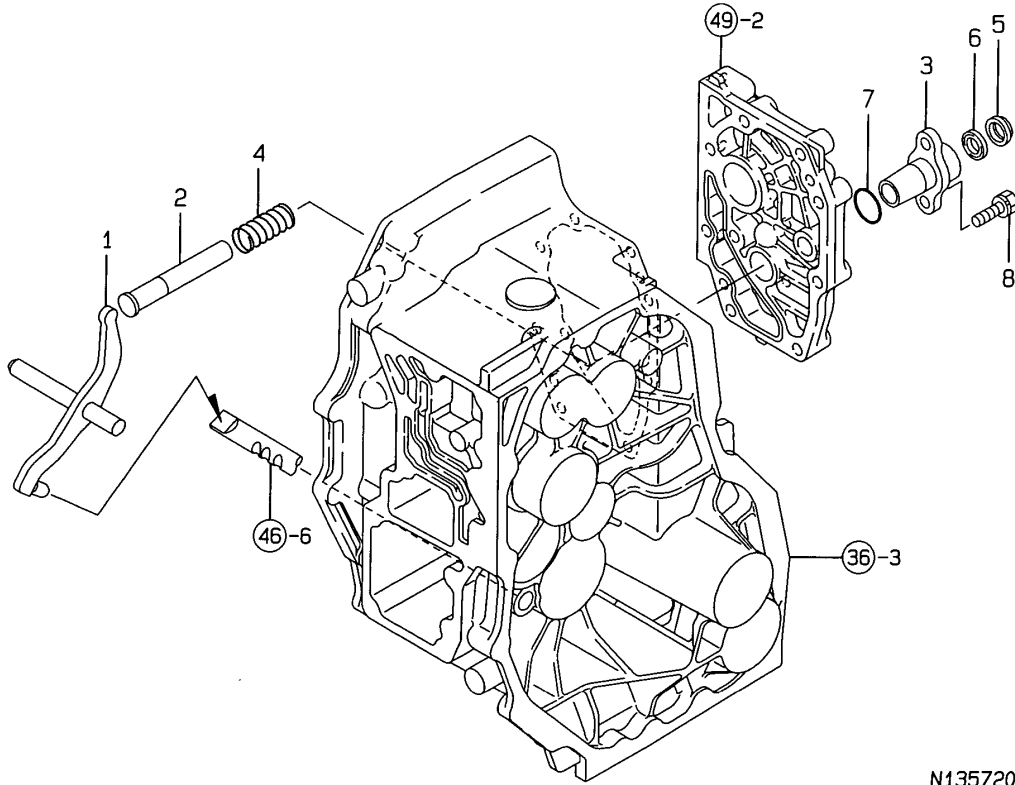
(A)=KE-170H
(B)=KE-200H
(C)=

(D)=
(E)=
(F)=

REF.	LEV.	PARTS NO.	DESCRIPTION	QTY						I	R
				(A)	(B)	(C)	(D)	(E)	(F)		
1	1	198167-26500	CASE,CMP SEAL	1	1						
2	2	198167-26510	CASE,SEAL	1	1						
3	2	198167-26520	CLIP 45	1	1						
4	2	198167-26530	PISTON,INERSHER	1	1						
5	2	198167-26540	BRAKE CASE,INERSHER	1	1						
6	2	198167-26550	PLATE	1	1						
7	2	198167-26580	SPRING,BRAKE	1	1						
8	2	194850-26710	PLATE 40, FRICTION	5	5						
9	2	194850-26720	PLATE 1.2, STEEL	6	6						
10	2	24321-000300	O-RING G30	1	1						
11	2	24321-000500	O-RING 1A G-50.0	1	1						
12	2	24341-000120	O-RING 1A S-12.0	1	1						
13	1	26016-080352	BOLT M 8X 35	3	3						
14	1	26016-100302	BOLT M10X 30	1	1						

Fig.45. CHECK CONTROL

45. CHECK CONTROL



N135720

0CNP3-G67600 45. CHECK CONTROL

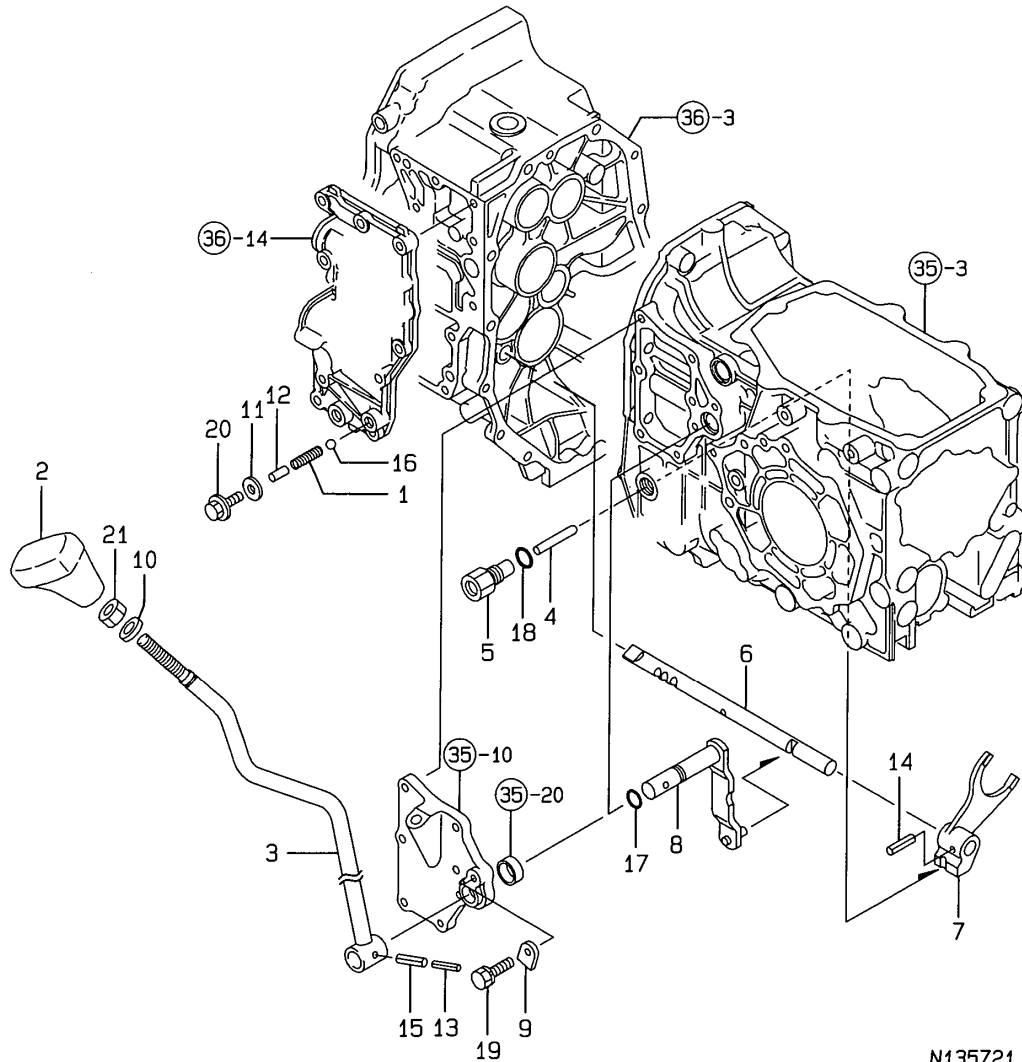
(A)=KE-170H
(B)=KE-200H
(C)=

(D)=
(E)=
(F)=

REF.	LEV.	PARTS NO.	DESCRIPTION	Q'TY						I	R
				(A)	(B)	(C)	(D)	(E)	(F)		
1	1	198167-27580	YORK	1	1						
2	1	198167-27630	PIN	1	1						
3	1	198167-27640	HOLDER	1	1						
4	1	198167-27650	SPRING, RETURN	1	1						
5	1	198167-27680	SCREPPER	1	1						
6	1	198167-27690	SEAL, PENTA	1	1						
7	1	24311-000220	O-RING 1A P-22.0	1	1						
8	1	26016-080202	BOLT M 8X 20	2	2						

Fig.46. SUB-CHANGE

46. SUB-CHANGE



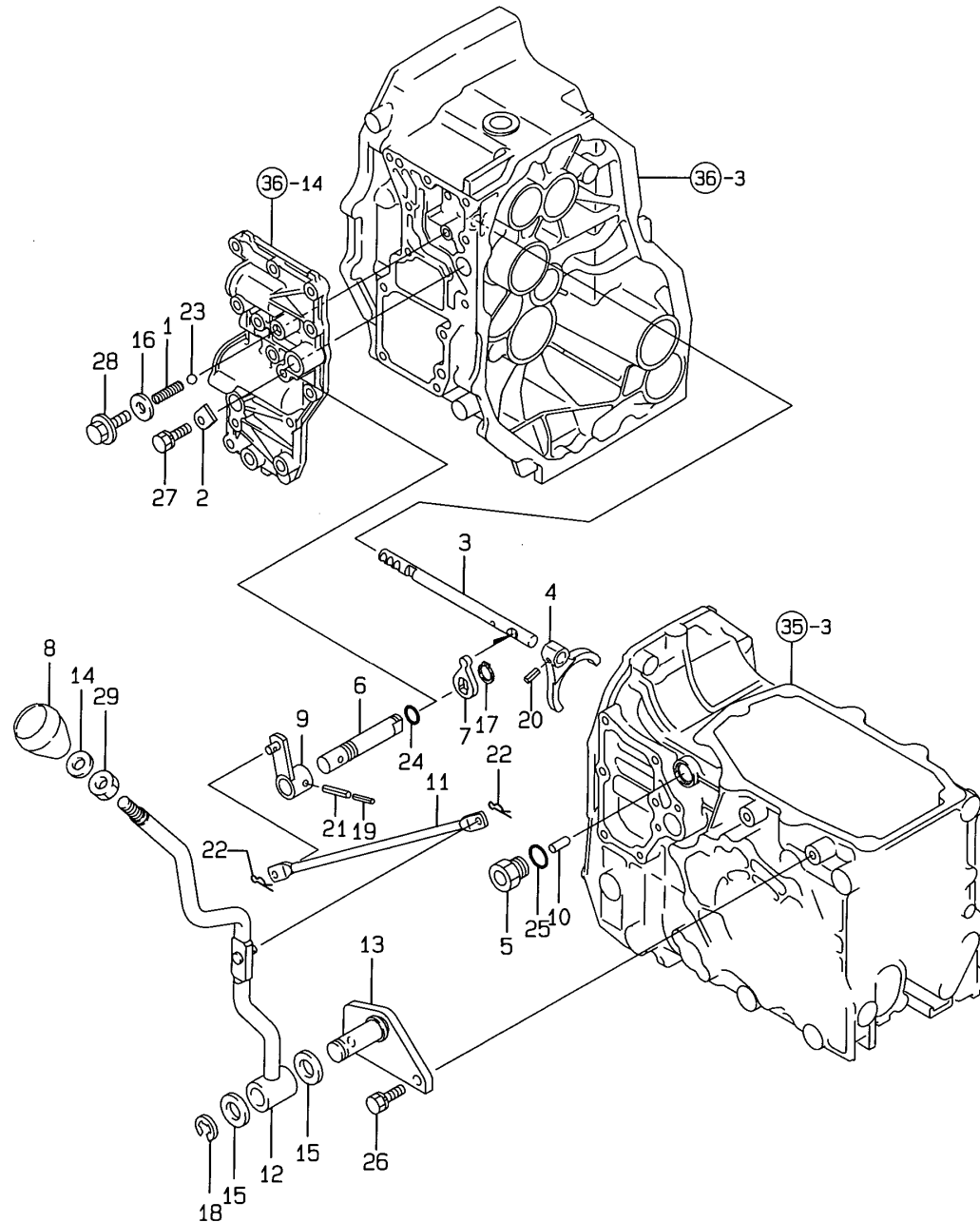
(A)=KE-170H
(B)=KE-200H
(C)=

(D)=
(E)=
(F)=

REF.	LEV.	PARTS NO.	DESCRIPTION	Q'TY						I	R
				(A)	(B)	(C)	(D)	(E)	(F)		
1	1	198421-27110	SPRING 38.4	1	1						
2	1	198421-27240	KNOB,MAIN CHG.LEVER	1	1						
3	1	1A6640-27400	LEVER COMP.,RANGE	1	1						
4	1	198167-27480	PIN,SWITCH RENG	1	1						
5	1	198167-27490	HOLDER,SWITCH	1	1						
6	1	198167-27510	SHAFT,FORK RENG	1	1						
7	1	198167-27521	FORK,SHIFT RENG	1	1						
8	1	198167-27530	ARM,CMP SHIFT	1	1						
9	1	194197-27681	PLATE, KEEP	1	1						
10	1	22117-120000	WASHER 12	1	1						
11	1	22190-100000	SEAL WASHER 10(BOLT)	1	1						
12	1	22312-080180	PARALLEL PIN 8X16	1	1						
13	1	22351-035032	SPRING PIN 3.5X32	1	1						
14	1	22351-060025	SPRING PIN 6X25	1	1						
15	1	22351-060032	SPRING PIN 6X32	1	1						
16	1	24190-100001	BALL 5/16, STEEL	1	1						
17	1	24311-000125	O-RING 1A P-12.5	1	1						
18	1	24311-000140	O-RING 1A P-14.0	1	1						
19	1	26016-080352	BOLT M 8X 35	1	1						
20	1	26106-100252	BOLT M10X 25 PLATED	1	1						
21	1	26716-120002	NUT 12	1	1						

Fig.47. P.T.O.CHANGE

47. P.T.O.CHANGE



(A)=KE-170H
(B)=KE-200H
(C)=

(D)=
(E)=
(F)=

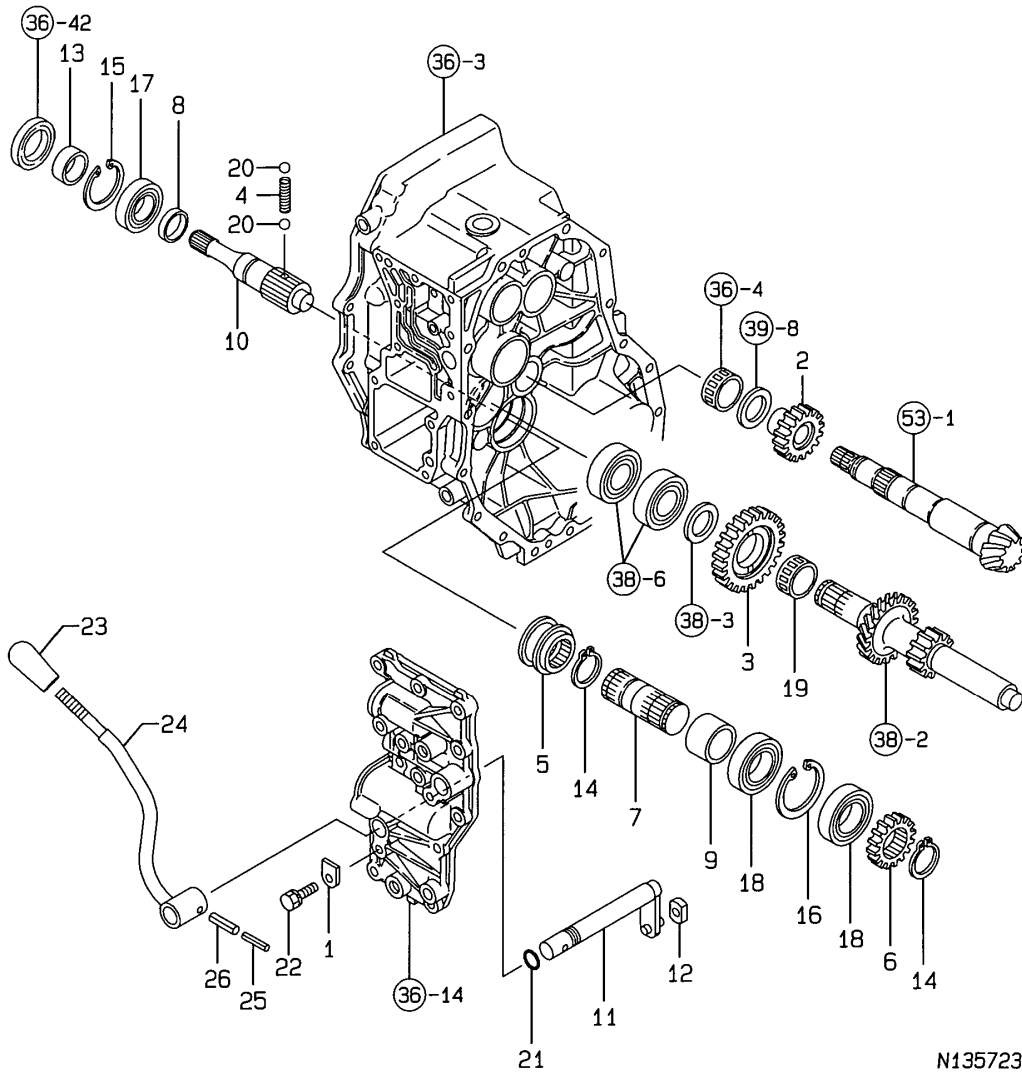
REF.	LEV.	PARTS NO.	DESCRIPTION	QTY						I	R
				(A)	(B)	(C)	(D)	(E)	(F)		
1	1	198421-27110	SPRING 38.4	1	1						
2	1	194197-27681	PLATE, KEEP	1	1						
3	1	198167-27720	SHAFT,FORK PTO	1	1						
4	1	198167-27730	FORK,PTO SHIFT	1	1						
5	1	198165-27750	HOLDER M20,SWITCH	1	1						
6	1	198167-27770	SHAFT,PTO SHIFT	1	1						
7	1	198167-27780	ARM,PTO SHIFT	1	1						
8	1	194420-27810	KNOB	1	1						
9	1	198167-27810	ARM,CMP PTO SHIFT	1	1						
10	1	198165-27820	PIN,SWITCH PTO	1	1						
11	1	198167-27850	LINK,PTO SHIFT	1	1						
12	1	1A6640-27870	LEVER COMP.,P.T.O.	1	1						
13	1	198167-27930	BRACKET,PTO LEVER	1	1						
14	1	22117-120000	WASHER 12	1	1						
15	1	22137-180000	WASHER 18	2	2						
16	1	22190-100000	SEAL WASHER 10(BOLT)	1	1						
17	1	22242-000170	CIRCLIP 17	1	1						
18	1	22272-000150	CIRCLIP E-15	1	1						
19	1	22351-035032	SPRING PIN 3.5X32	1	1						
20	1	22351-060020	SPRING PIN 6X20	1	1						
21	1	22351-060032	SPRING PIN 6X32	1	1						
22	1	22360-080000	SNAP PIN 8	2	2						
23	1	24190-100001	BALL 5/16, STEEL	1	1						
24	1	24311-000125	O-RING 1A P-12.5	1	1						
25	1	24311-000180	O-RING 1A P-18.0	1	1						
26	1	26013-080252	BOLT M 8X 25	2	2						
27	1	26016-080202	BOLT M 8X 20	1	1						
28	1	26106-100252	BOLT M10X 25 PLATED	1	1						
29	1	26716-120002	NUT 12	1	1						

Fig.48. FRONT DRIVE&FRONT SHIFT

(A)=KE-170H
(B)=KE-200H
(C)=

(D)=
(E)=
(F)=

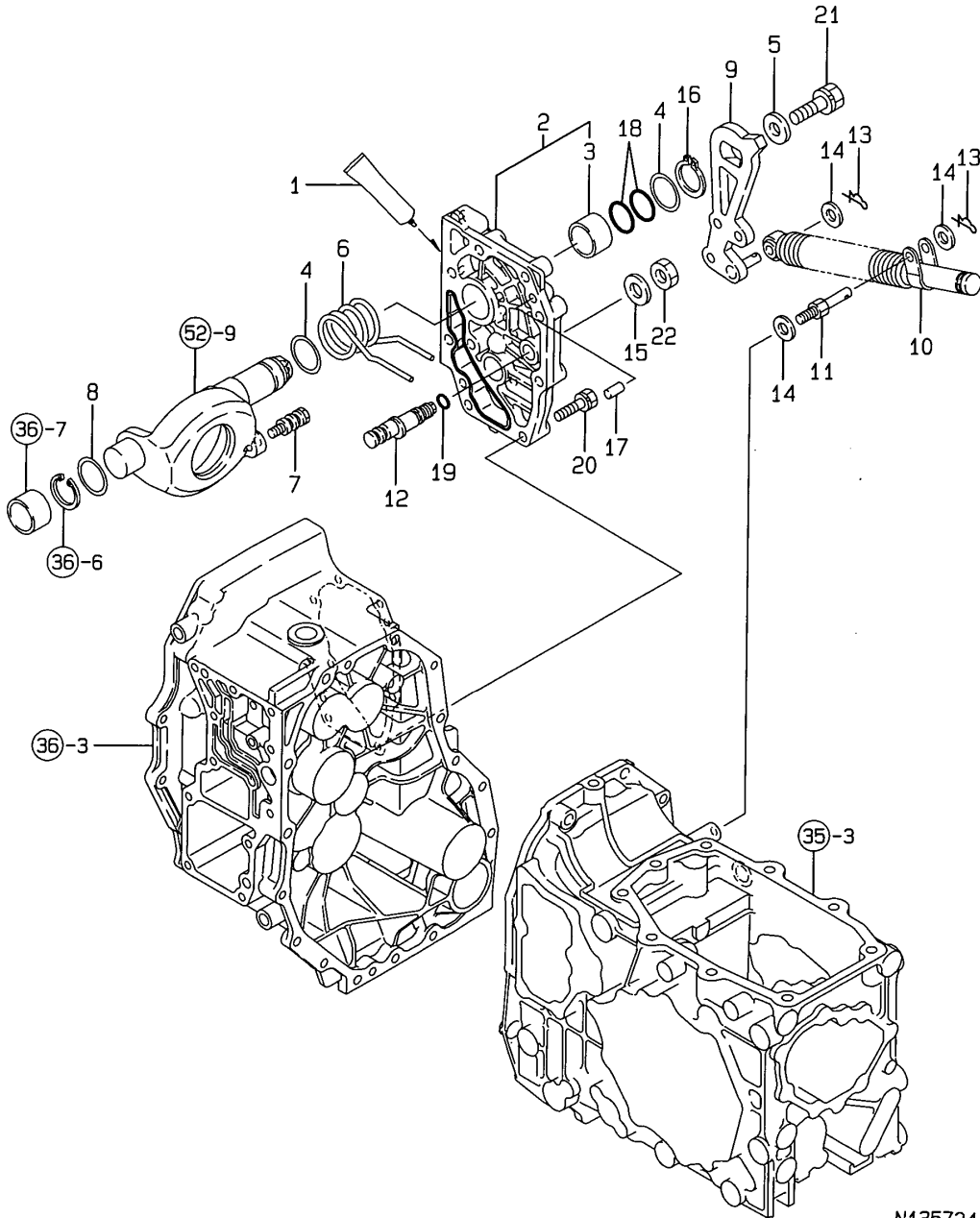
48. FRONT DRIVE&FRONT SHIFT



REF.	LEV.	PARTS NO.	DESCRIPTION	QTY						I	R
				(A)	(B)	(C)	(D)	(E)	(F)		
1	1	194197-27681	PLATE, KEEP	1	1						
2	1	198167-28210	GEAR,DRIVE MFWD	1	1						
3	1	198167-28220	GEAR,IDEL MFWD	1	1						
4	1	194311-28230	SPRING 21.2	1	1						
5	1	198165-28240	COLLAR,SHIFT FRONT	1	1						
6	1	198167-28240	GEAR,DRIVEN MFWD	1	1						
7	1	198167-28250	SHAFT,DRIVEN MFWD	1	1						
8	1	198167-28270	COLLAR 25	1	1						
9	1	198167-28280	COLLAR 30	1	1						
10	1	198167-28290	SHAFT,FRONT DRIVE	1	1						
11	1	198167-28310	ARM,CMP SHIFT 4WD	1	1						
12	1	198165-28330	BROCK,SHIFT	1	1						
13	1	1E6190-54080	SLEEVE SI25X30X13	1	1						
14	1	22242-000290	CIRCLIP 29	2	2						
15	1	22252-000470	CIRCLIP 47	1	1						
16	1	22252-000550	CIRCLIP 55	1	1						
17	1	24101-060054	BALL BEARING	1	1						
18	1	24104-060064	BALL BEARING	2	2						
19	1	24161-283313	NEEDLE BEARING	1	1						
20	1	24190-080001	BALL 1/4, STEEL	2	2						
21	1	24311-000125	O-RING 1A P-12.5	1	1						
22	1	26016-080202	BOLT M 8X 20	1	1						
23	1	194464-01190	KNOB, THROTTLE LEVER	1	1						
24	1	198167-28370	LEVER, 4WD	1	1						
25	1	22351-035032	SPRING PIN 3.5X32	1	1						
26	1	22351-060032	SPRING PIN 6X32	1	1						

Fig.49. CONTROL

49. CONTROL



(A)=KE-170H
(B)=KE-200H
(C)=

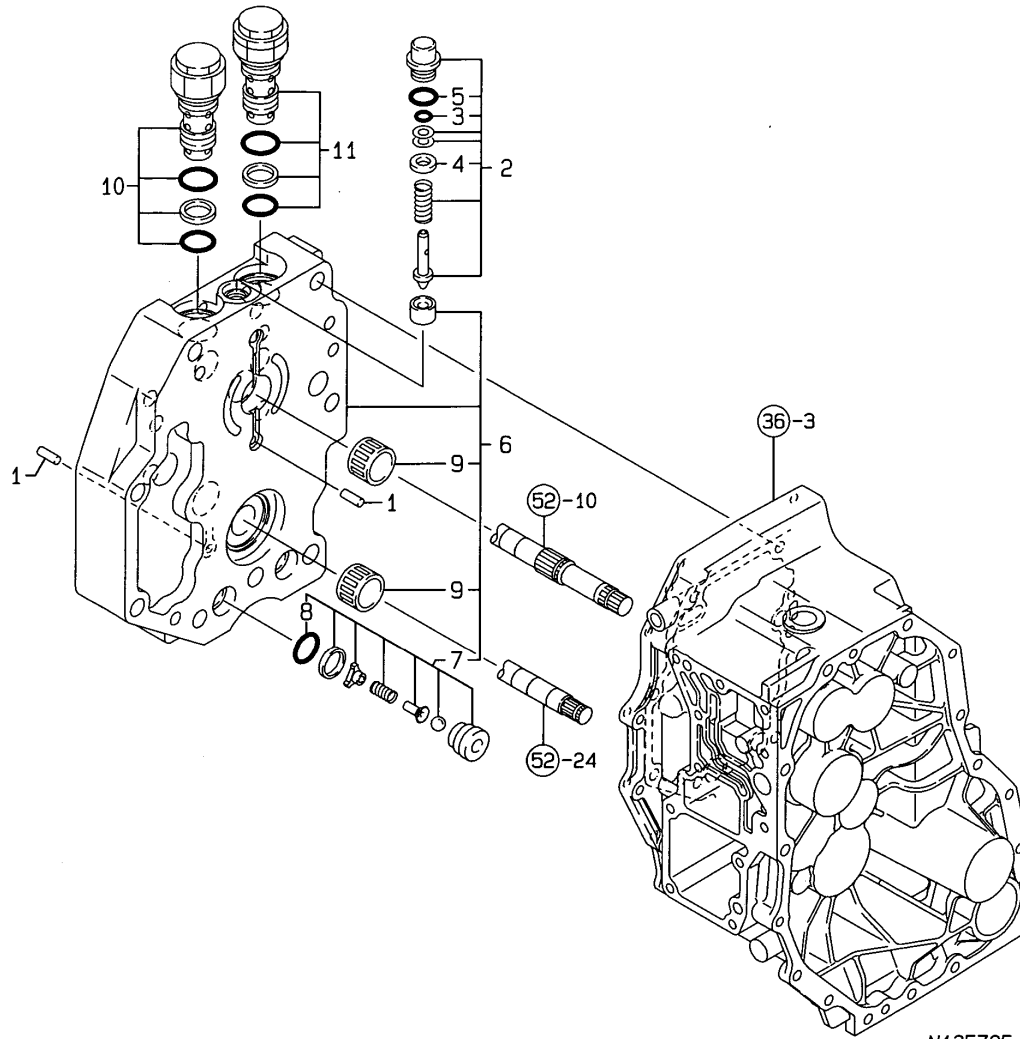
(D)=
(E)=
(F)=

REF.	LEV.	PARTS NO.	DESCRIPTION	QTY						I	R
				(A)	(B)	(C)	(D)	(E)	(F)		
1	1	194855-24020	SEALANT	1	1						
2	1	198167-24440	COVER R,CMP SIDE	1	1						
3	2	24550-028200	BUSH 28X20	1	1						
4	1	198167-24530	WASHER	2	2						
5	1	194180-25930	WASHER 12X27X4.5	1	1						
6	1	192157-27510	SPRING,N/C	1	1						
7	1	192157-27520	PIN, N/C	1	1						
8	1	192157-27550	WASHER 29*35*1	1	1						
9	1	192157-27600	CONTROL ARM COMP.	1	1						
10	1	192154-29610	SHOCK ABSORBER	1	1						
11	1	192154-29640	STUD	1	1						
12	1	192154-29700	FULCRUM	1	1						
13	1	1C6281-52320	PIN 8,COME-OFF SNAP	2	2						
14	1	22137-080000	WASHER 8, POLISHED	3	3						
15	1	22137-120000	WASHER 12,POLISHED	1	1						
16	1	22242-000280	CIRCLIP 28	1	1						
17	1	22312-080160	PARALLEL PIN 8X 16	2	2						
18	1	24311-000260	O-RING 1A P-26.0	2	2						
19	1	24311-240100	O-RING 1A P-10A	1	1						
20	1	26016-080402	BOLT M 8X 40	9	9						
21	1	26016-120302	BOLT M12X 30	1	1						
22	1	26776-120002	LOCK NUT M12 PLATED	1	1						

N135724

Fig.50. CENTER CASE

50. CENTER CASE



0CNP3-G67600 50. CENTER CASE

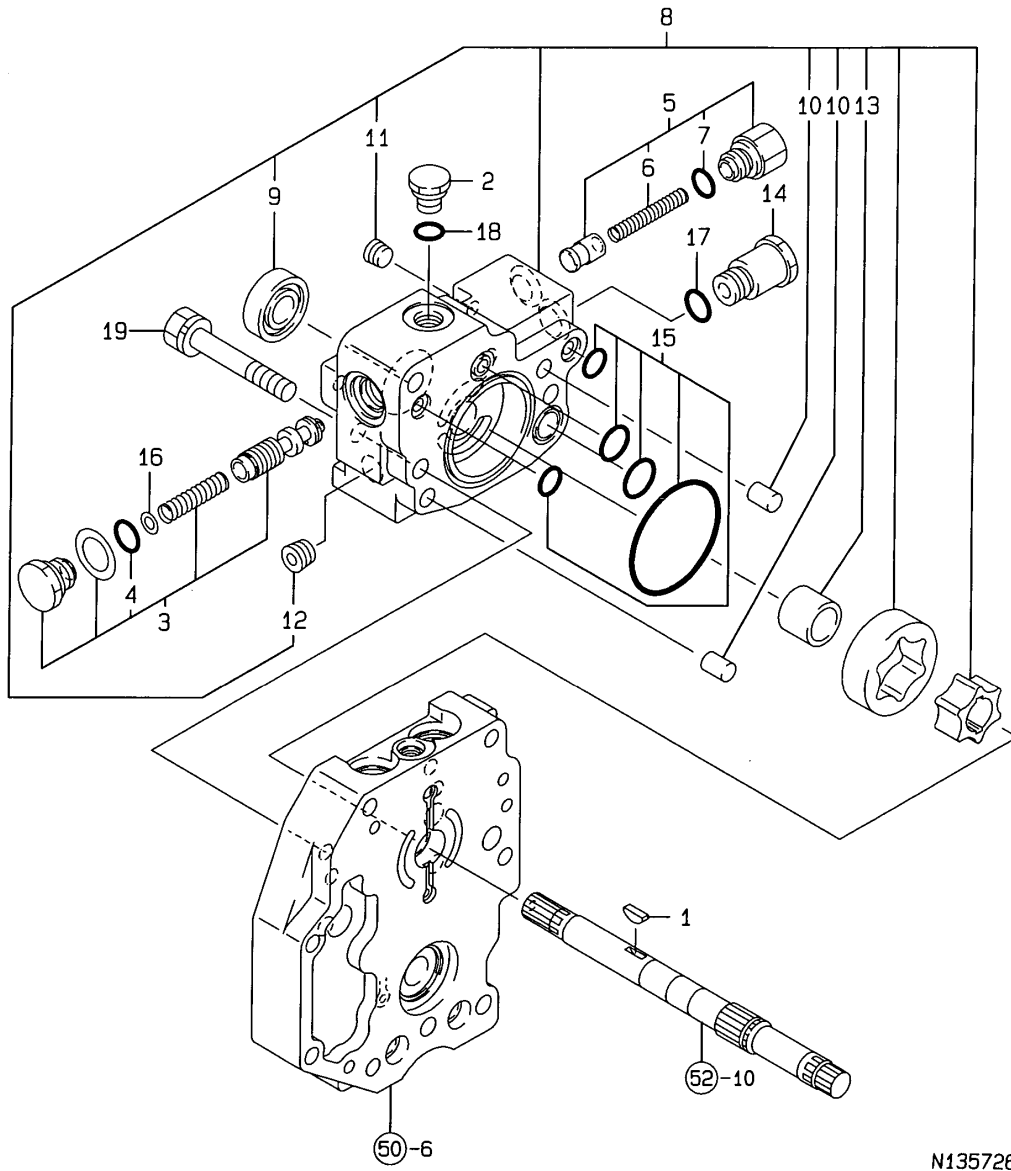
(A)=KE-170H
(B)=KE-200H
(C)=

(D)=
(E)=
(F)=

REF.	LEV.	PARTS NO.	DESCRIPTION	QTY						I	R
				(A)	(B)	(C)	(D)	(E)	(F)		
1	1	192157-24690	PIN 4*13.8	2	2						
2	1	198167-24710	RELIEF COMP., IMPL	1	1						
3	2	192157-24750	PACKING P 5	1	1						
4	2	22137-050000	WASHER 5, POLISHED	1	1						
5	2	24311-000120	O-RING 1A P 12.0	1	1						
6	1	198167-29010	CASE,CMP CENTER	1	1						
7	2	192157-24570	SUCTION BODY COMP.	2	2						
8	3	192154-24670	PACKING 1015	2	2						
9	2	24162-182416	NEEDLE(S 182416	2	2						
10	1	198164-29040	VALVE F,CMP SAFETY	1	1						
11	1	198164-29050	VALVE R,CMP SAFETY	1	1						

Fig.51. POWER PUMP

51. POWER PUMP



N135726

OCNP3-G67600 51. POWER PUMP

(A)=KE-170H
(B)=KE-200H
(C)=

(D)=
(E)=
(F)=

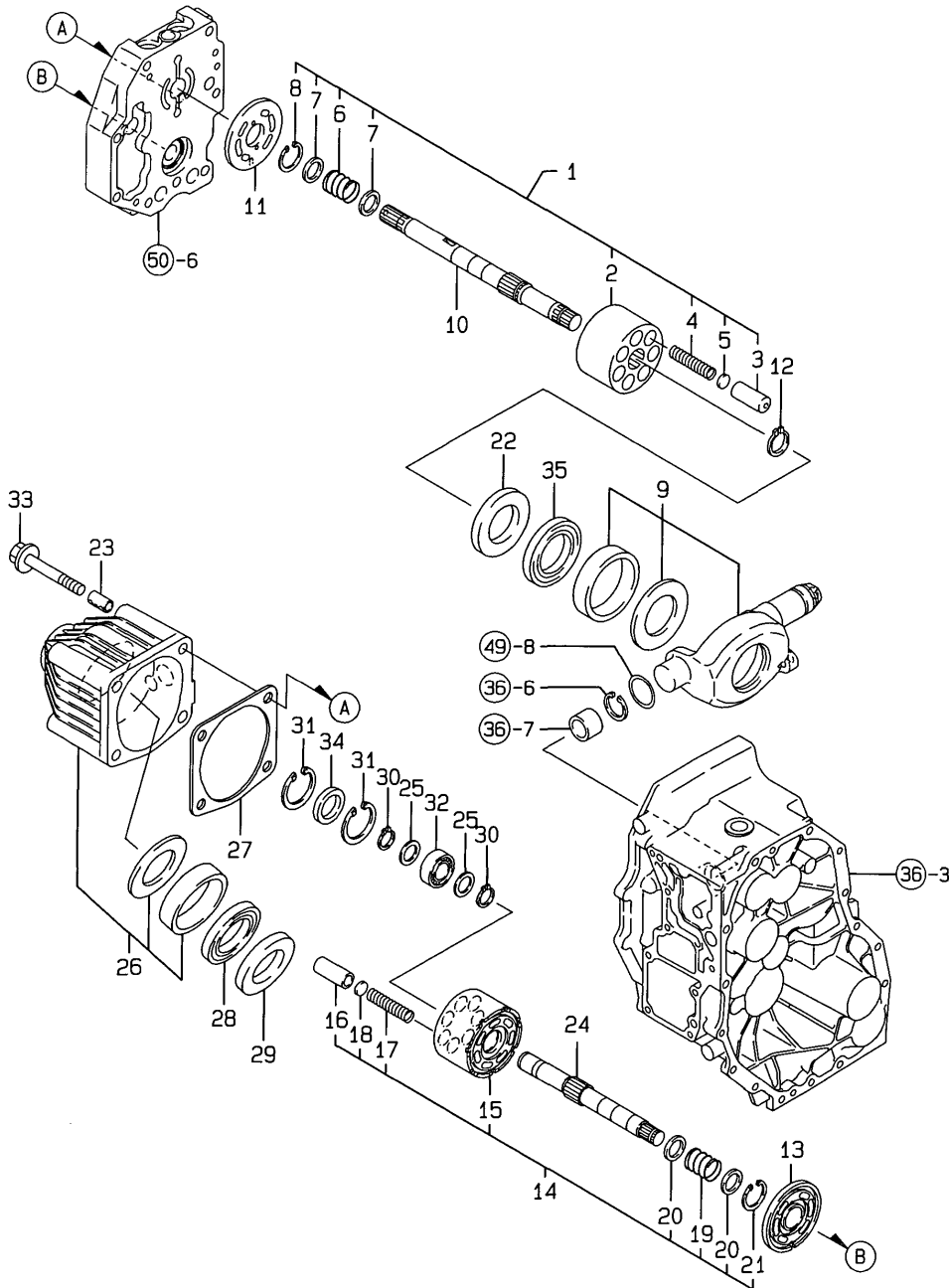
REF.	LEV.	PARTS NO.	DESCRIPTION	QTY						I	R
				(A)	(B)	(C)	(D)	(E)	(F)		
1	1	192157-26440	KEY 13*3.2	1	1						
2	1	192157-26460	PLUG 1/2-20 UNF	1	1						
3	1	192157-26470	REDUCING VALVE COMP.	1	1						
4	2	24311-000140	O-RING 1A P-14.0	1	1						
5	1	192157-26520	PRESSURE VALVE COMP.	1	1						
6	2	192157-26740	SPRING, PRESSURE	1	1						
7	2	24311-000120	O-RING 1A P 12.0	1	1						
8	1	198167-29310	BODY,CMP PUMP	1	1						
9	2	192157-26450	SEAL TC 18 35 8	1	1						
10	2	22312-100120	PARALLEL PIN 10X12	2	2						
11	2	23871-010000	PLUG PT1/8,SCREW	1	1						
12	2	23871-030000	PLUG PT3/8,SCREW	1	1						
13	2	24550-018200	BUSH 18X20	1	1						
14	1	198167-29330	ADAPTER	1	1						
15	1	198167-29340	PACKING, KIT	1	1						
16	1	198167-29390	SHIM	1	1						
17	1	24311-000140	O-RING 1A P-14.0	1	1						
18	1	24361-090500	PACKING 1A AS 905	1	1						
19	1	26016-100652	BOLT W/WASHER 10* 65	2	2						

Fig.52. PUMP & MOTOR

(A)=KE-170H
(B)=KE-200H
(C)=

(D)=
(E)=
(F)=

52. PUMP & MOTOR

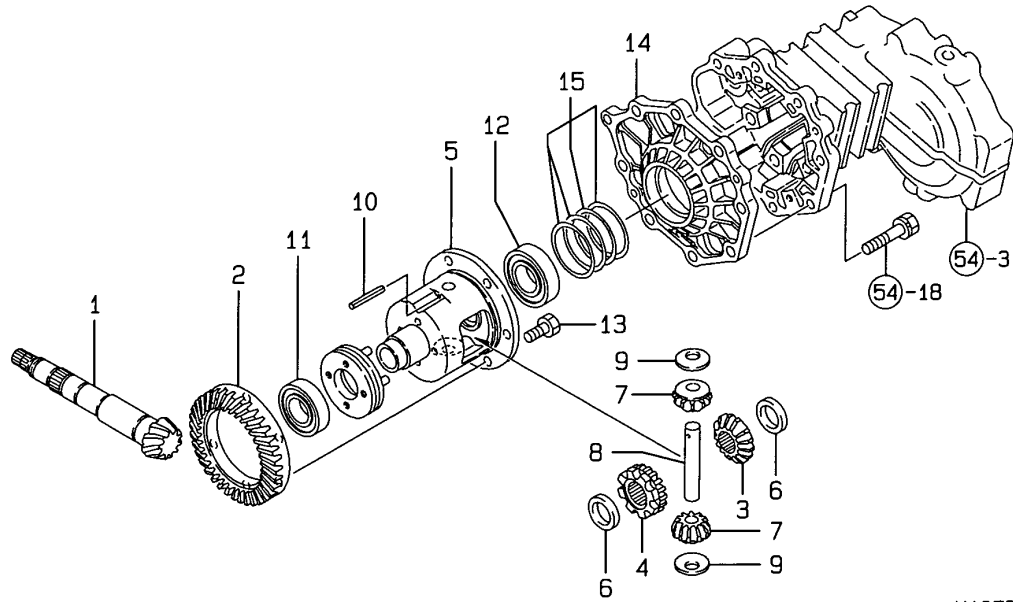


REF.	LEV.	PARTS NO.	DESCRIPTION	QTY						I	R
				(A)	(B)	(C)	(D)	(E)	(F)		
1	1	1A6640-01650	BLOCK COMP.,CYLINDER	1	1						
2	2	1A6640-01660	BLOCK,CYLINDER	1	1						
3	2	1A6640-01670	PISTON	7	7						
4	2	1A6640-01680	SP,PISTON	7	7						
5	2	1A6640-01690	SHOE 14,SPRING	7	7						
6	2	192157-25210	SPRING,CYL. BLOCK	1	1						
7	2	192157-25220	WASHER 18*23.5*1.6	2	2						
8	2	22262-000240	CLIP	1	1						
9	1	1A6640-29720	SHIFT,CMP	1	1						
10	1	198167-29410	SHAFT,PUMP	1	1						
I	11	1A6640-29430	PLATE,VALVE	1	1						
12	1	22242-000210	CIRCLIP 21	1	1						
I	13	1A6640-01460	PLATE,VALVE	1	1						
14	1	1A6640-01650	BLOCK COMP.,CYLINDER	1	1						
22	1	198167-29750	PLATE A,SLAST	1	1						
23	1	192157-24850	PIN 12X22,KNOCK	2	2						
24	1	192157-25020	MOTOR SHAFT	1	1						
25	1	192157-25040	WASHER 17*23*1	2	2						
26	1	198167-29610	CASE,CMP MOTOR	1	1						
27	1	198167-29640	PACKING,MOTOR CASE	1	1						
28	1	198167-29710	SLAST, B	1	1						
29	1	198167-29750	PLATE A,SLAST	1	1						
30	1	22242-000170	CIRCLIP 17	2	2						
31	1	22252-000400	CIRCLIP 40	2	2						
32	1	24101-062034	BALL BEARING	1	1						
33	1	26106-101052	BOLT M10X105 PLATED	2	2						
34	1	27260-400000	COVER 40, BLIND	1	1						
35	1	198167-29710	SLAST, B	1	1						

N135727

Fig.53. RING GEAR & DIFFERENTIAL GEAR

53. RING GEAR & DIFFERENTIAL GEAR



N135728

OCNP3-G67600 53. RING GEAR & DIFFERENTIAL GEAR

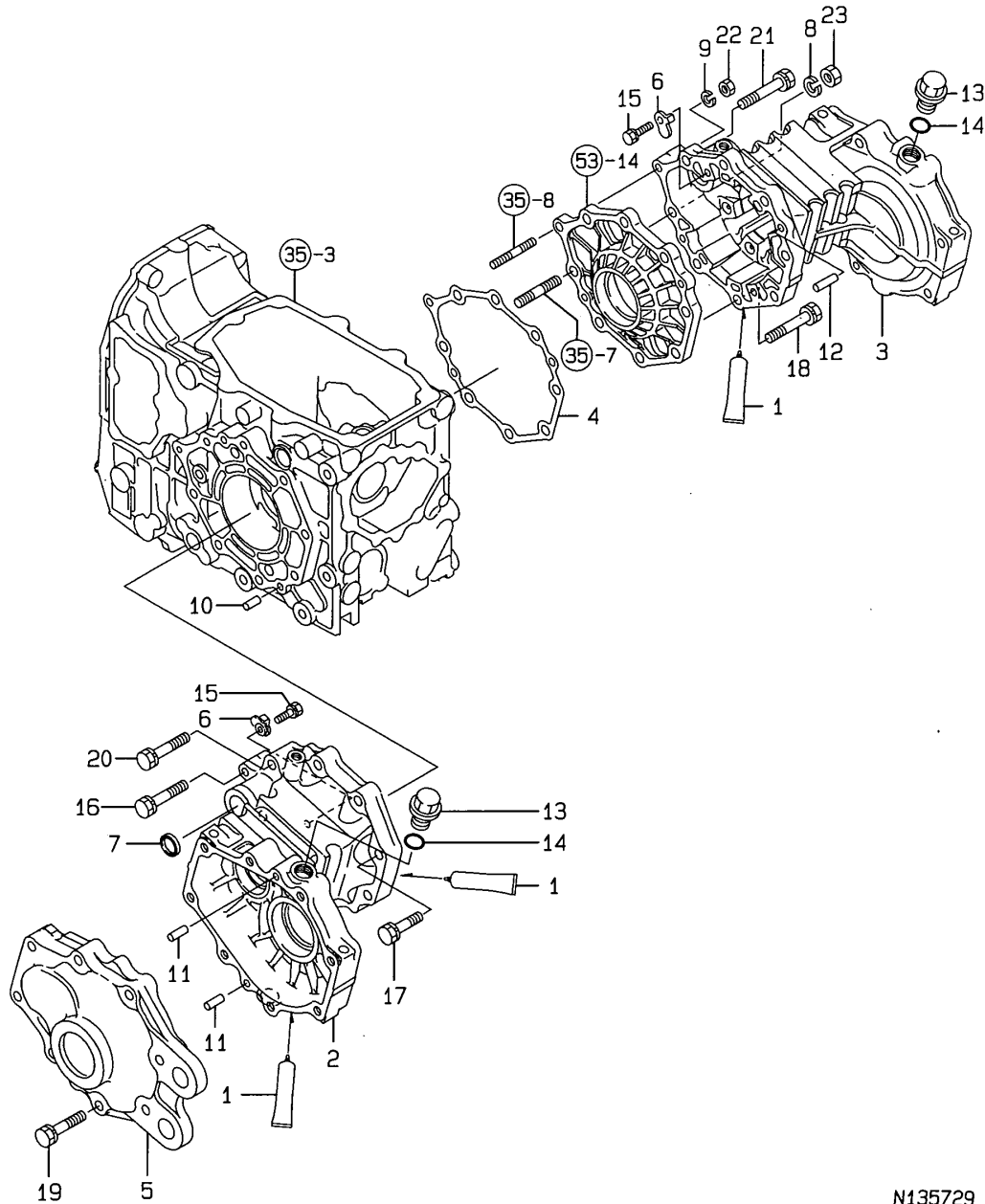
(A)=KE-170H
(B)=KE-200H
(C)=

(D)=
(E)=
(F)=

REF.	LEV.	PARTS NO.	DESCRIPTION	QTY						I	R
				(A)	(B)	(C)	(D)	(E)	(F)		
1	1	198167-25710	SHAFT,COUNTER	1	1						
2	1	198165-31400	GEAR,RING	1	1						
3	1	198421-31510	GEAR,DIFF.SIDE	1	1						
4	1	198421-31520	GEAR,DIFF.LOCK SIDE	1	1						
5	1	198421-31530	CASE,DIFFERENTIAL	1	1						
6	1	198421-31550	LINER,DIFF.SIDE GEAR	2	2						
7	1	194300-31560	GEAR, DIFFERENTIAL	2	2						
8	1	194300-31570	SHAFT, DIFFERENTIAL	1	1						
9	1	194300-31620	WASHER, DIFFERENTIAL	2	2						
10	1	22351-040040	SPRING PIN 4X40	1	1						
11	1	24101-060064	BALL BEARING	1	1						
12	1	24101-060074	BALL BEARING	1	1						
13	1	26156-100162	BOLT M10X16	6	6						
14	1	198165-32311	CARRIER,DIFFERENTIAL	1	1						
15	1	198165-32320	SHIM SET,DIF CARRIER	1	1						

Fig.54. REAR HOUSING

54. REAR HOUSING



(A)=KE-170H
(B)=KE-200H
(C)=

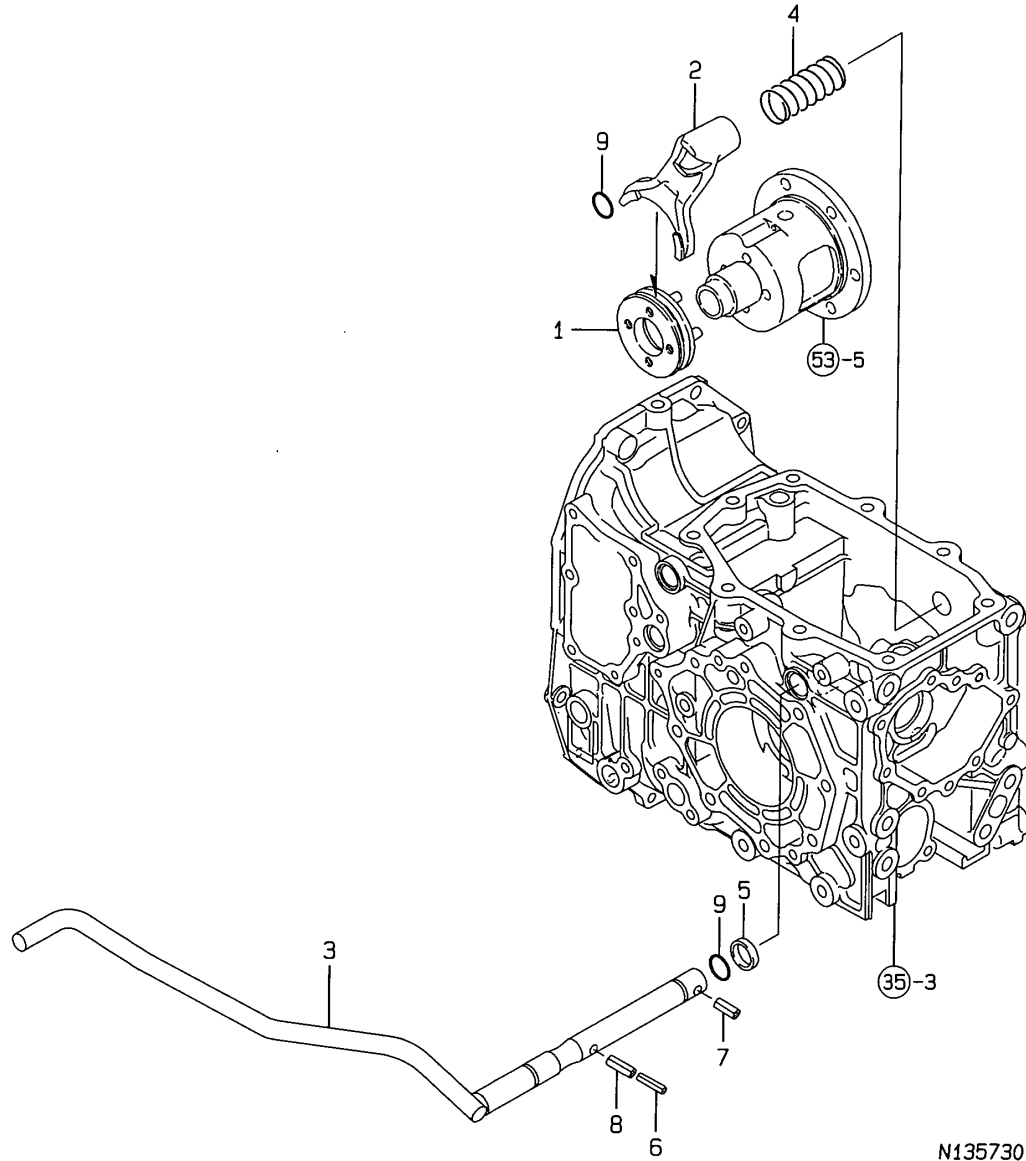
(D)=
(E)=
(F)=

REF.	LEV.	PARTS NO.	DESCRIPTION	Q'TY						I	R
				(A)	(B)	(C)	(D)	(E)	(F)		
1	1	194855-24020	SEALANT	1	1						
2	1	198165-32610	HOUSING L,REAR AXLE	1	1						
3	1	198165-32620	HOUSING R,REAR AXLE	1	1						
4	1	198165-32630	PACKING,HOUSING	1	1						
5	1	198165-32640	COVER,REAR AXLE	2	2						
6	1	198421-32660	STOPPER,STEEL PLATE	4	4						
7	1	198290-32750	SEAL TC253506,OIL	2	2						
8	1	22217-100000	SPRING WASHER 10	1	1						
9	1	22287-080000	LOCKING WASHER	1	1						
10	1	22312-080180	PARALLEL PIN 8X16	2	2						
11	1	22312-080220	PARALLEL PIN 8X22	4	4						
12	1	22312-080320	PARALLEL PIN 8X32	2	2						
13	1	23491-140002	PLUG 14	2	2						
14	1	24311-000160	O-RING 1A P-16.0	2	2						
15	1	26013-080202	BOLT W/WASHER M8X20	4	4						
16	1	26013-080502	BOLT M 8X 50	1	1						
17	1	26013-100402	BOLT M10X 40	6	6						
18	1	26013-100502	BOLT M10X 50	6	6						
19	1	26013-100502	BOLT M10X 50	16	16						
20	1	26013-100552	BOLT M10X 55	2	2						
21	1	26013-100652	BOLT 10X65 W/SP.WSHR	1	1						
22	1	26716-080002	NUT M 8	1	1						
23	1	26716-100002	NUT 10	1	1						

N135729

Fig.55. DIFFERENTIAL LOCK

55. DIFFERENTIAL LOCK



N135730

OCNP3-G67600 55. DIFFERENTIAL LOCK

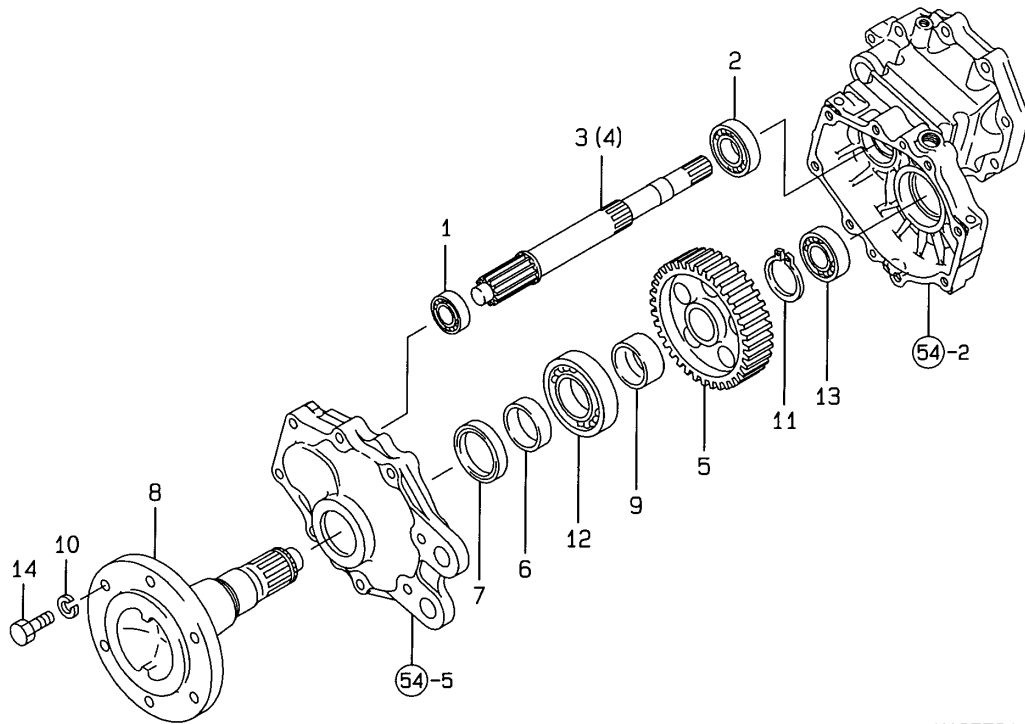
(A)=KE-170H
(B)=KE-200H
(C)=

(D)=
(E)=
(F)=

REF.	LEV.	PARTS NO.	DESCRIPTION	QTY						I	R
				(A)	(B)	(C)	(D)	(E)	(F)		
1	1	198421-33110	SLIDER,DIFF.LOCK	1	1						
2	1	198165-33120	FORK,SHIFT DIFF.LOCK	1	1						
3	1	198167-33130	PEDAL,DIFF.LOCK	1	1						
4	1	198421-33140	SPRING,DIFF.LOCK	1	1						
5	1	198421-33170	SPACER 20X25X3.2	1	1						
6	1	22351-050040	SPRING PIN 5X40	1	1						
7	1	22351-080032	SPRING PIN 8X32	1	1						
8	1	22351-080040	SPRING PIN 8X40	1	1						
9	1	24311-000160	O-RING 1A P-16.0	2	2						

Fig.56. FINAL PINION

56. FINAL PINION



N135731

0CNP3-G67600 56. FINAL PINION

(A)=KE-170H
(B)=KE-200H
(C)=

(D)=
(E)=
(F)=

REF.	LEV.	PARTS NO.	DESCRIPTION	QTY						I	R
				(A)	(B)	(C)	(D)	(E)	(F)		
1	1	194447-13860	BALL BEARING	2	2						
2	1	192153-25140	BEARING 6006C3 SH2	2	2						
3	1	198165-33410	PINION L, FAINAL	1	1						
4	1	198165-33420	PINION R, FAINAL	1	1						
5	1	198165-33510	GEAR 46, FAINAL	2	2						
6	1	194516-13770	SLEEVE SI455016	2	2						
7	1	194516-13780	SEAL TC6Y 506812.5	2	2						
8	1	198165-34110	SHAFT, REAR AXLE	2	2						
9	1	198165-34140	COLLAR	2	2						
10	1	22217-120000	SPRING WASHER	12	12						
11	1	22242-000400	CIRCLIP 40	2	2						
12	1	24101-060094	BALL BEARING	2	2						
13	1	24101-063050	BALL BEARING	2	2						
14	1	26086-120302	BOLT 12* 30	12	12						

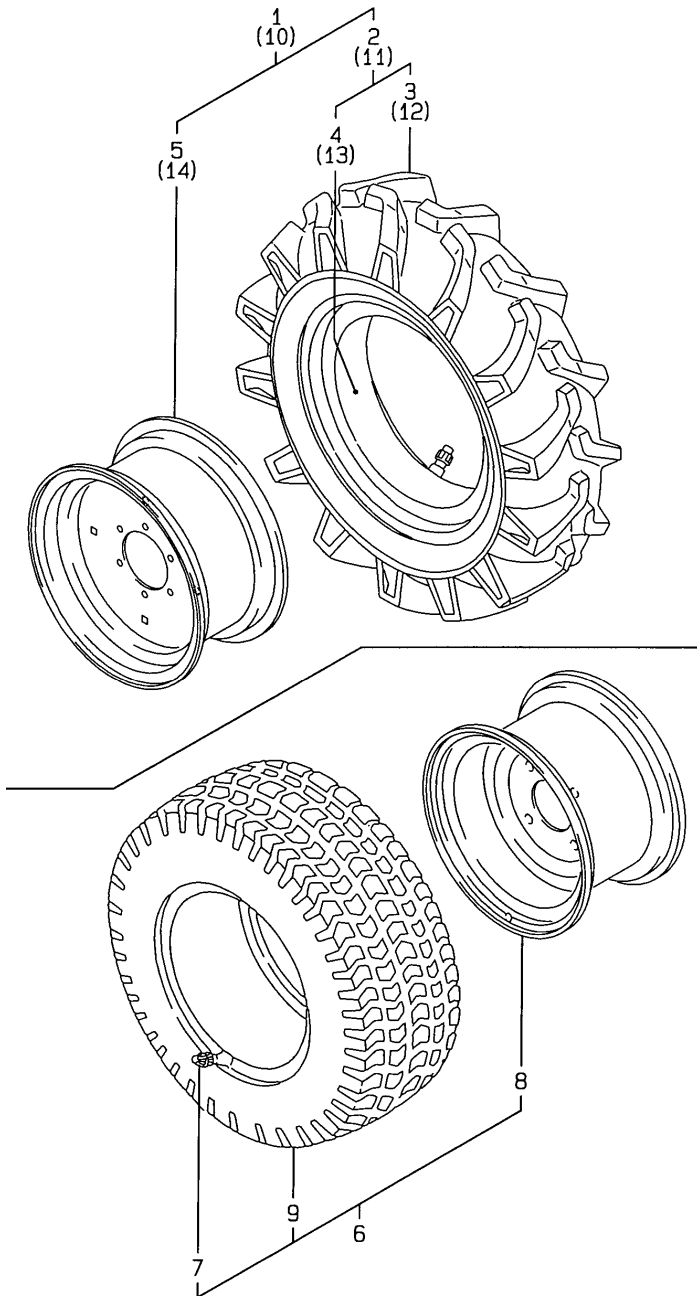
Fig.57. REAR WHEEL TIRE

OCNP3-G67600 57. REAR WHEEL TIRE

(A)=KE-170H
(B)=KE-200H
(C)=

(D)=
(E)=
(F)=

57. REAR WHEEL TIRE



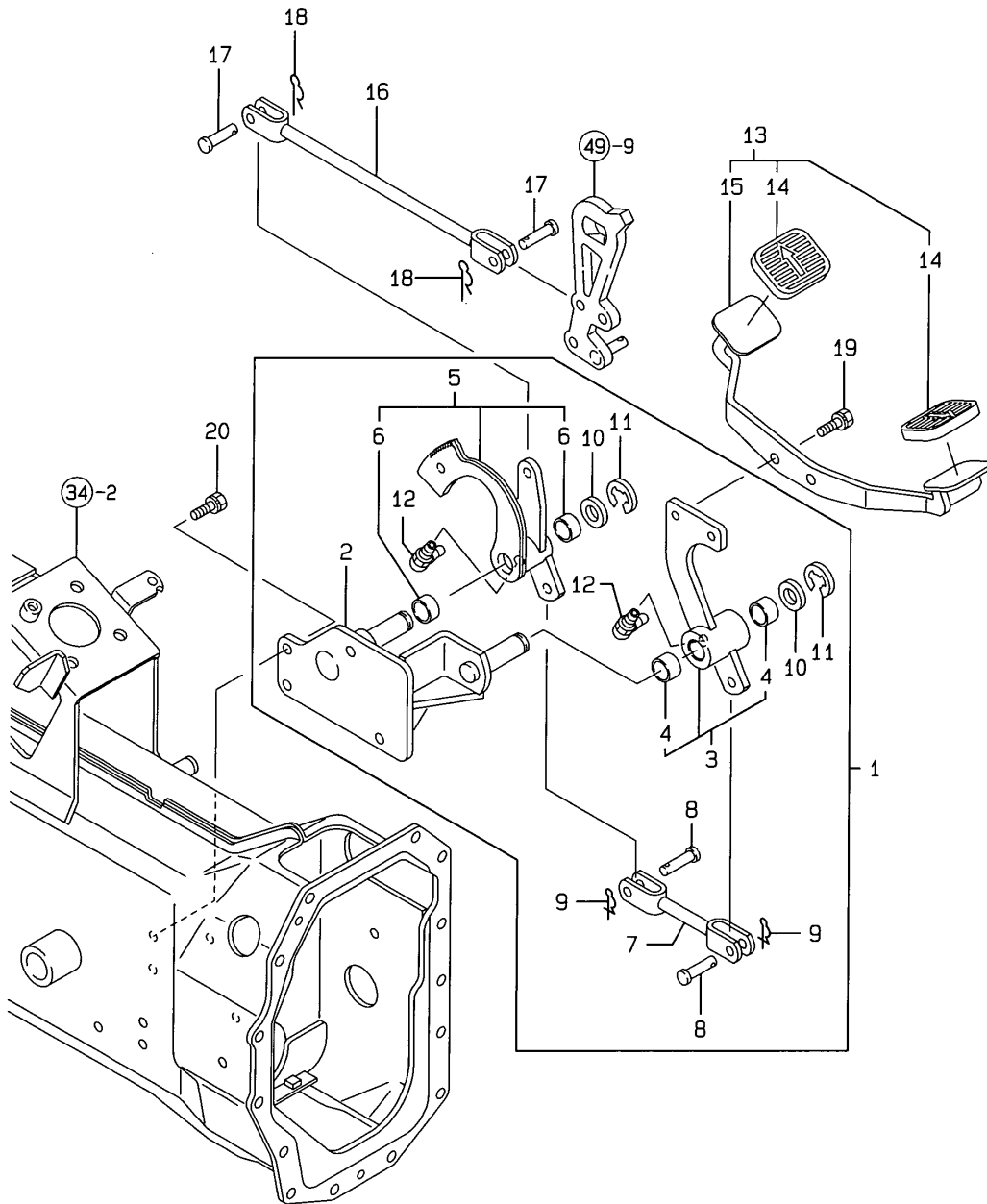
REF.	LEV.	PARTS NO.	DESCRIPTION	QTY						I	R
				(A)	(B)	(C)	(D)	(E)	(F)		
1	1	1A6640-34720	TIRE L KIT,REAR WH.	1	1						
2	2	194681-14750	TIRE 9.5-16-6 COMP.	1	1						
3	3	194681-14760	TIRE 9.5-16-6	1	1						
4	3	194681-14770	TUBE	1	1						
5	2	1A6640-34760	WHEEL 8JAX16WDC	1	1						
I	6	1A6640-34740	TIRE KIT,REAR WHEEL	2	2						
I	7	194136-12880	VALVE TR413	2	2						
I	8	1A6640-34770	WHEEL 10LBX15	2	2						
I	9	198165-34800	TIRE M40B	2	2						
10	1	1A6640-34820	TIRE R KIT,REAR WH.	1	1						
11	2	194681-14750	TIRE 9.5-16-6 COMP.	1	1						
12	3	194681-14760	TIRE 9.5-16-6	1	1						
13	3	194681-14770	TUBE	1	1						
14	2	1A6640-34760	WHEEL 8JAX16WDC	1	1						

Fig.58. HI-DORO PEDAL

(A)=KE-170H
(B)=KE-200H
(C)=

(D)=
(E)=
(F)=

58. HI-DORO PEDAL

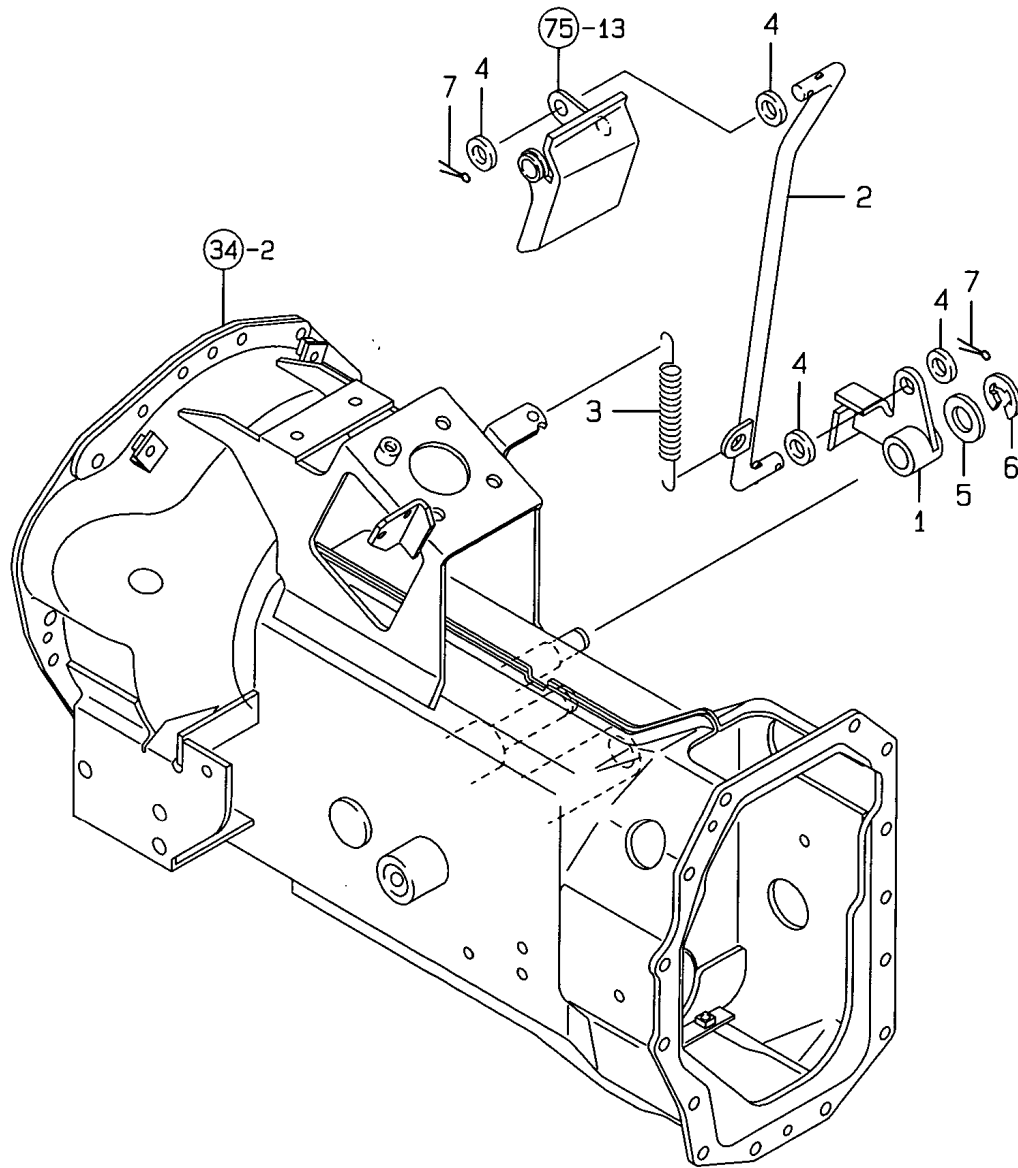


REF.	LEV.	PARTS NO.	DESCRIPTION	QTY						I	R
				(A)	(B)	(C)	(D)	(E)	(F)		
1	1	1A6640-35100	ARM KIT,HST PEDAL	1	1						
2	2	1A6640-35110	BRACKET COMP.,HST	1	1						
3	2	1A6640-35210	ARM COMP.,HST	1	1						
4	3	24550-016120	BUSH 16X12,DRY	2	2						
5	2	1A6640-35260	BOSS COMP.,HST	1	1						
6	3	24550-016100	BUSH 16X10,DRY	2	2						
7	2	1A6640-35350	LINK COMP.,HST	1	1						
8	2	194080-37781	PIN 8X25	2	2						
9	2	1C6281-52320	PIN 8,COME-OFF SNAP	2	2						
10	2	22137-160000	WASHER 16,POLISHED	2	2						
11	2	22272-000120	CIRCLIP E-12	2	2						
12	2	24761-040000	NIPPLE B,GREASE	2	2						
13	1	1A6640-35401	PEDAL,CMP HST	1	1						
14	2	198136-27950	COVER,PEDAL	2	2						
15	2	1A6640-35411	PEDAL COMP.,HST	1	1						
16	1	198167-35450	ROD,SHIFT	1	1						
17	1	194080-37781	PIN 8X25	2	2						
18	1	22372-080000	SNAP PIN (JASO 8)	2	2						
19	1	26013-080162	BOLT W/WASHER M8X16	2	2						
20	1	26013-080252	BOLT M 8X 25	4	4						

N135733

Fig.59. CRUISE CONTROL

59. CRUISE CONTROL



OCNP3-G67600 59. CRUISE CONTROL

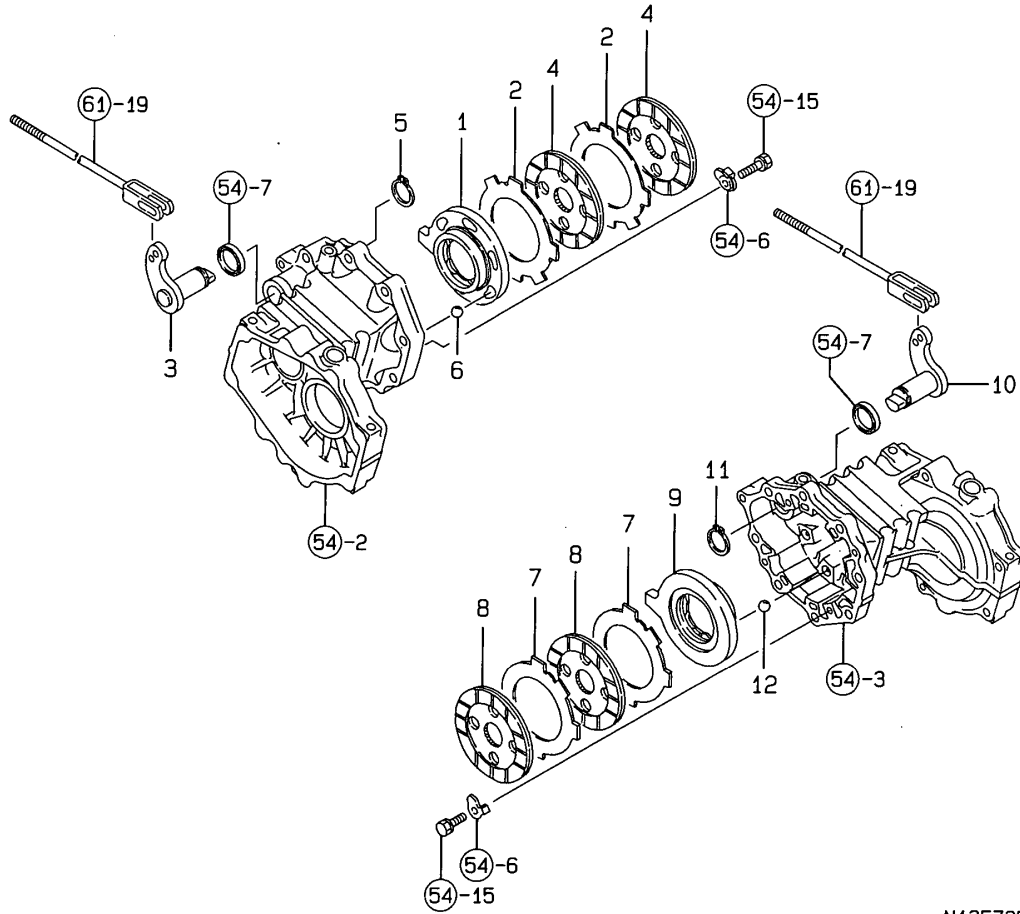
(A)=KE-170H
(B)=KE-200H
(C)=

(D)=
(E)=
(F)=

REF.	LEV.	PARTS NO.	DESCRIPTION	Q'TY						I	R
				(A)	(B)	(C)	(D)	(E)	(F)		
1	1	198167-35530	RACHETTE,CLUZE	1	1						
2	1	198167-35550	ROD,CLUZE	1	1						
3	1	1C6720-73330	SPRING,FLOAT	1	1						
4	1	22137-100000	WASHER 10,POLISHED	4	4						
5	1	22137-160000	WASHER 16,POLISHED	1	1						
6	1	22272-000120	CIRCLIP E-12	1	1						
7	1	22417-250250	COTTER PIN 2.5X25	2	2						

Fig.60. DISK BRAKE

60. DISK BRAKE



N135735

OCNP3-G67600 60. DISK BRAKE

(A)=KE-170H
(B)=KE-200H
(C)=

(D)=
(E)=
(F)=

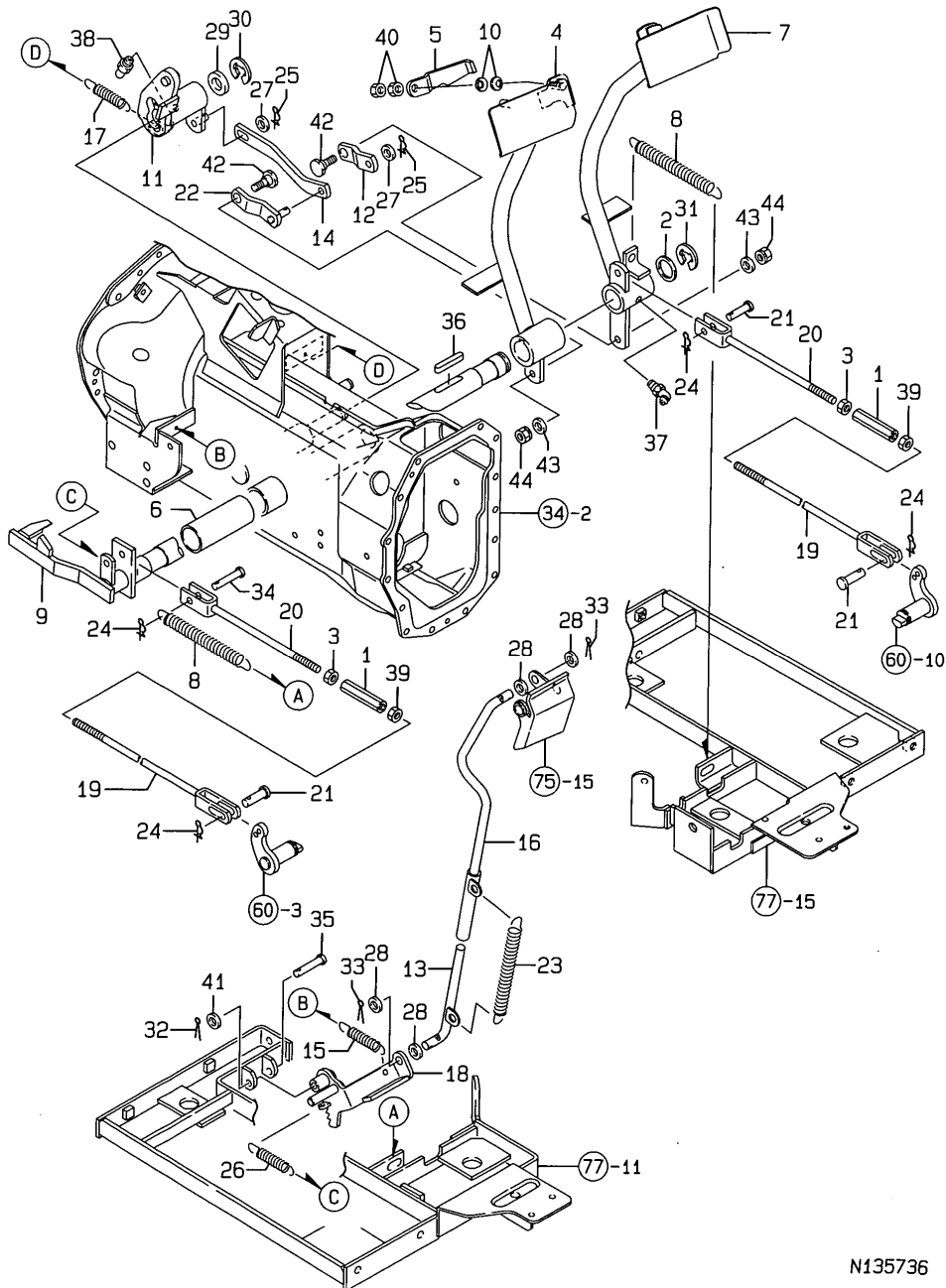
REF.	LEV.	PARTS NO.	DESCRIPTION	QTY						I	R
				(A)	(B)	(C)	(D)	(E)	(F)		
1	1	198421-36310	ACTUATOR L	1	1						
2	1	198421-36321	PLATE 2.6P	2	2						
3	1	198165-36330	SHAFT L,CAM LEVER	1	1						
4	1	198421-36380	PLATE 116,FRICTION	2	2						
5	1	22242-000250	CIRCLIP 25S	1	1						
6	1	24190-160001	BALL 1/2	6	6						
7	1	198421-36321	PLATE 2.6P	2	2						
8	1	198421-36380	PLATE 116,FRICTION	2	2						
9	1	198421-36410	ACTUATOR (R)	1	1						
10	1	198165-36430	SHAFT R,CAM LEVER	1	1						
11	1	22242-000250	CIRCLIP 25S	1	1						
12	1	24190-160001	BALL 1/2	6	6						

Fig.61. BRAKE PEDAL

(A)=KE-170H
(B)=KE-200H
(C)=

(D)=
(E)=
(F)=

61. BRAKE PEDAL



REF.	LEV.	PARTS NO.	DESCRIPTION	QTY						I	R
				(A)	(B)	(C)	(D)	(E)	(F)		
1	1	194740-00322	TURNBUCKLE	2	2						
2	1	1C6140-14050	SPACER 25.2X34X2	1	1						
3	1	194990-20170	NUT W/WASHER 8	2	2						
4	1	1A6640-37300	PEDAL L COMP.,BRAKE	1	1						
5	1	198165-37340	CONECTOR,BRAKE	1	1						
6	1	198167-37350	COLLAR 34*85	1	1						
7	1	1A6640-37400	PEDAL R COMP.,BRAKE	1	1						
8	1	198421-37511	SPRING,RETURN	2	2						
9	1	1A6640-37550	SHAFT CMP.,BRK.PEDAL	1	1						
10	1	194300-37570	SPRING, CONICAL	2	2						
11	1	1A6640-37600	RELELSE CMP.,CRUISE	1	1						
13	1	198165-37681	ROD B, P.BRAKE	1	1						
14	1	1A6640-37690	LINK B,CRUISE	1	1						
15	1	198165-37690	SPRING,B.LOCK LEVER	1	1						
16	1	1A6640-37700	ROD A,PARKING BRAKE	1	1						
17	1	198167-37711	SPRING,PARK LOCK	1	1						
18	1	1A6640-37760	LEVER CMP.,BRK.LOCK	1	1						
19	1	198165-37760	ROD R,BRAKE	2	2						
20	1	198165-37770	ROD L,BRAKE	2	2						
21	1	194080-37781	PIN 8X25	3	3						
22	1	1A6640-37650	LINK A COMPL;CLUZU	1	1						
23	1	198165-37840	SPRING,P.BRAKE	1	1						
24	1	1C6281-52320	PIN 8,COME-OFF SNAP	4	4						
25	1	1C6281-52320	PIN 8,COME-OFF SNAP	2	2						
26	1	1C6557-82600	SPRING 10X55	1	1						
27	1	22137-080000	WASHER 8, POLISHED	2	2						
28	1	22137-100000	WASHER 10,POLISHED	4	4						
29	1	22137-200000	WASHER 20,POLISHED	1	1						
30	1	22272-000150	CIRCLIP E-15	1	1						
31	1	22272-000190	CIRCLIP E-19	1	1						
32	1	22417-200250	COTTER PIN 2.0X25	1	1						
33	1	22417-250250	COTTER PIN 2.5X25	2	2						
34	1	22487-080400	PIN 8X 40	1	1						
35	1	22487-080400	PIN 8X 40	1	1						
36	1	22512-070400	KEY 7X 40	1	1						
37	1	24761-040000	NIPPLE B,GREASE	1	1						
38	1	24761-040000	NIPPLE B,GREASE	1	1						
39	1	26716-080002	NUT M 8	2	2						
40	1	26716-080002	NUT M 8	2	2						
41	1	22137-080000	WASHER 8, POLISHED	1	1						
42	1	1A6640-37640	BOLT M8	2	2						
43	1	22137-080000	WASHER 8, POLISHED	2	2						
44	1	26051-080002	NUT M 8	2	2						

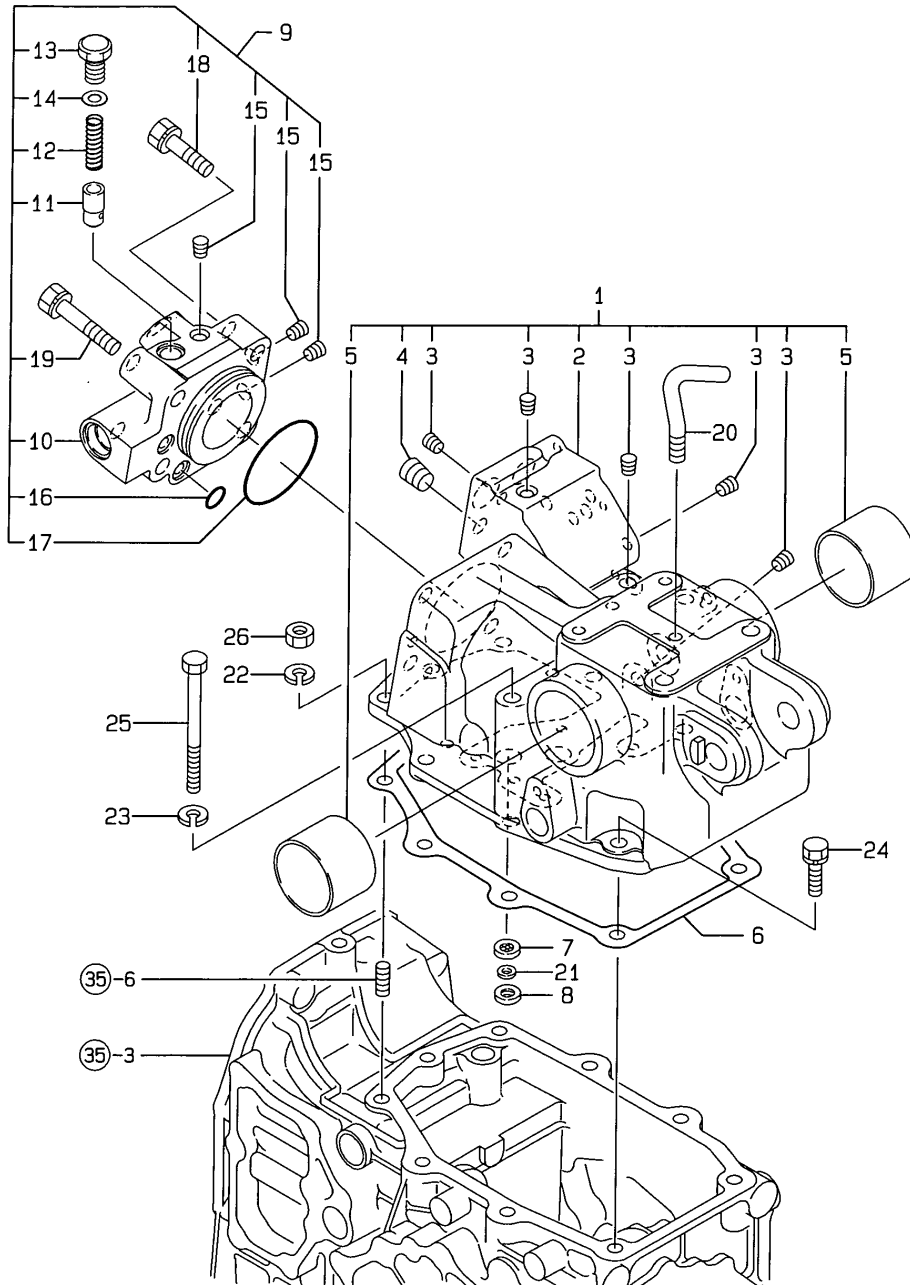
N135736

Fig.62. HYDRAULIC CYLINDER CASE

(A)=KE-170H
(B)=KE-200H
(C)=

(D)=
(E)=
(F)=

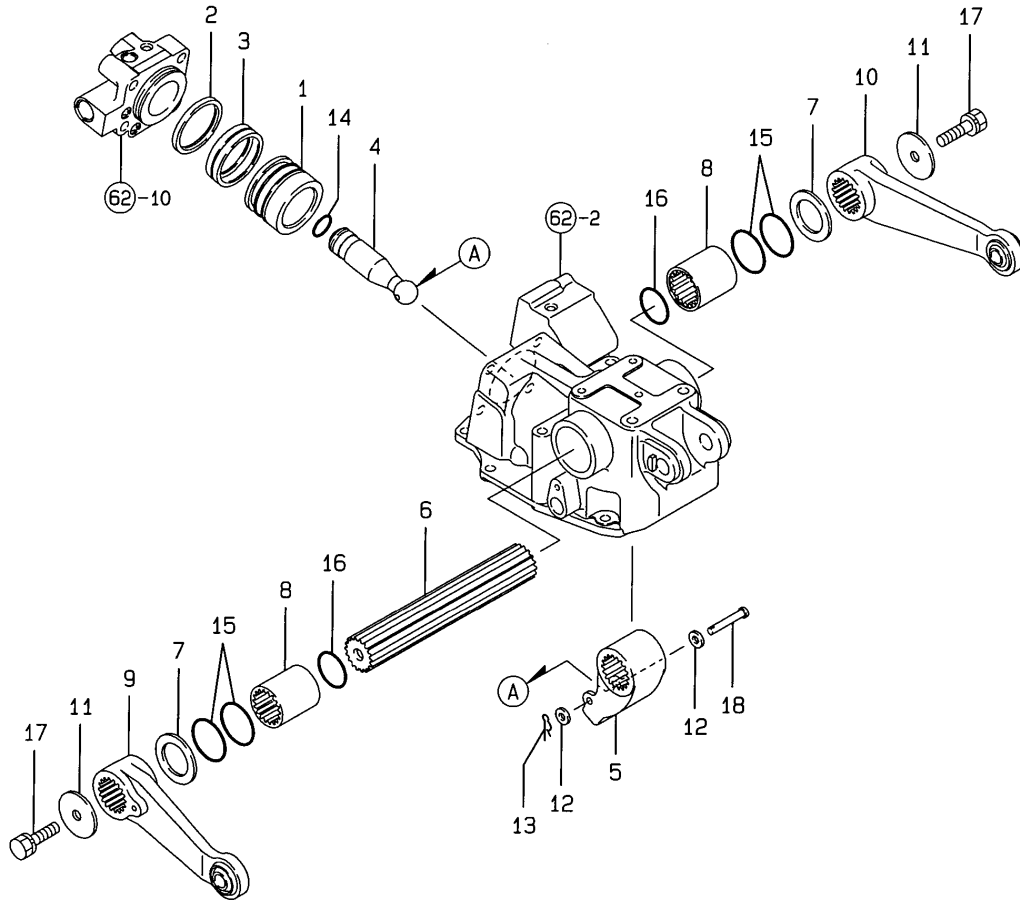
62. HYDRAULIC CYLINDER CASE



REF.	LEV.	PARTS NO.	DESCRIPTION	QTY						I	R
				(A)	(B)	(C)	(D)	(E)	(F)		
1	1	1A6640-42100	CASE CMP.,HYD.CYL.	1	1						
2	2	1A6640-42110	CASE,HYDRAULIC CYL.	1	1						
3	2	23871-010000	PLUG PT1/8,SCREW	5	5						
4	2	23871-020000	PLUG PT1/4,SCREW	1	1						
5	2	24550-050400	BUSH 50X40	2	2						
6	1	198165-42120	PACKING,CYLINDER	1	1						
7	1	194850-42180	STRAINER	2	2						
8	1	194850-42190	SPACER	2	2						
9	1	1A6640-42200	HEAD COMP.,CYLINDER	1	1						
10	2	1A6640-42210	HEAD,CYLINDER	1	1						
11	2	194310-46350	POPPET, CHECK	1	1						
12	2	194310-46380	SPRING	1	1						
13	2	194310-46730	PLUG 14	1	1						
14	2	23414-140018	GASKET 14	1	1						
15	2	23871-010000	PLUG PT1/8,SCREW	3	3						
16	2	24315-000110	O-RING 1B P-11.0	2	2						
17	2	24325-000650	O-RING 1B G-65.0	1	1						
18	2	26016-120452	BOLT M12X 45	2	2						
19	2	26016-120652	BOLT W/WASHER 12* 65	2	2						
20	1	194205-42280	PIPE, AIR BREATHER	1	1						
21	1	194630-43230	PACKING	2	2						
22	1	22217-100000	SPRING WASHER 10	4	4						
23	1	22217-100000	SPRING WASHER 10	2	2						
24	1	26016-100302	BOLT M10X 30	3	3						
25	1	26116-101202	BOLT M10X120 PLATED	2	2						
26	1	26716-100002	NUT 10	4	4						

Fig.63. PISTON&LIFT CRANK

63. PISTON&LIFT CRANK



N135738

OCNP3-G67600 63. PISTON&LIFT CRANK

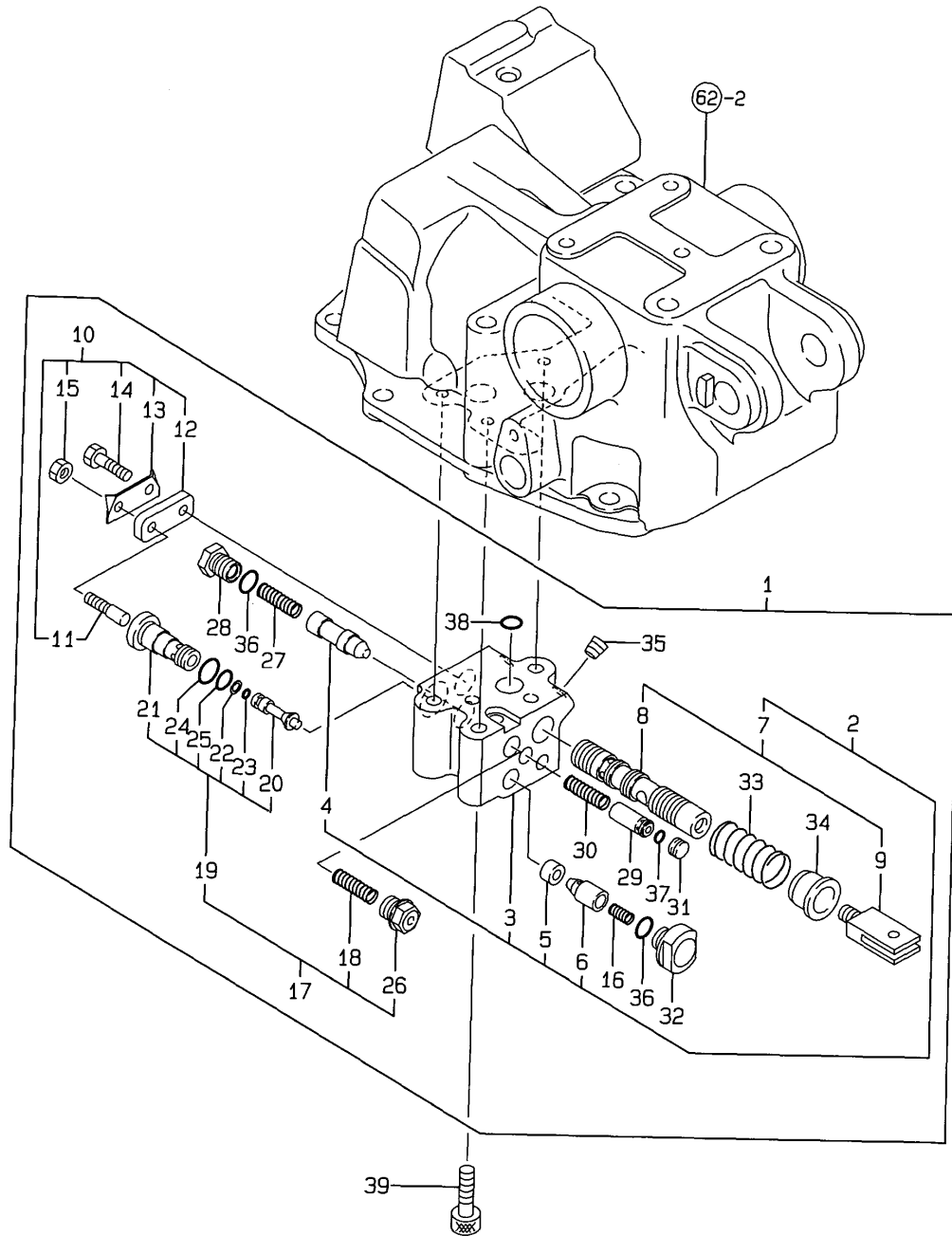
(A)=KE-170H
(B)=KE-200H
(C)=

(D)=
(E)=
(F)=

REF.	LEV.	PARTS NO.	DESCRIPTION	QTY						I	R
				(A)	(B)	(C)	(D)	(E)	(F)		
1	1	1A6640-43310	PISTON	1	1						
2	1	1A6640-43320	U-PACKING	1	1						
3	1	1A6640-43330	RING,WEAR	1	1						
4	1	1A6640-43410	ROD,PISTON	1	1						
5	1	1A6640-44110	CRANK,LIFT	1	1						
6	1	1A6640-44210	SHAFT,LIFT	1	1						
7	1	1A6640-44230	LINER 40X60X3	2	2						
8	1	1A6640-44250	SLEEVE,LIFT SHAFT	2	2						
9	1	1A6640-44410	ARM L COMP.,LIFT	1	1						
10	1	1A6640-44430	ARM R COMP.,LIFT	1	1						
11	1	1A6640-44530	PW 12.5X55X6	1	1						
12	1	22137-060000	WASHER 6, POLISHED	2	2						
13	1	22372-060000	SNAP PIN 6	1	1						
14	1	24311-000260	O-RING 1A P-26.0	1	1						
15	1	24321-000500	O-RING 1A G-50.0	4	4						
16	1	24341-000420	O-RING 1A S-42.0	2	2						
17	1	26013-120252	BOLT M12X 25	2	2						
18	1	22486-060500	PIN H 6X50,FLAT HEAD	1	1						

Fig.64. CONTROL VALVE

64. CONTROL VALVE



OCNP3-G67600 64. CONTROL VALVE

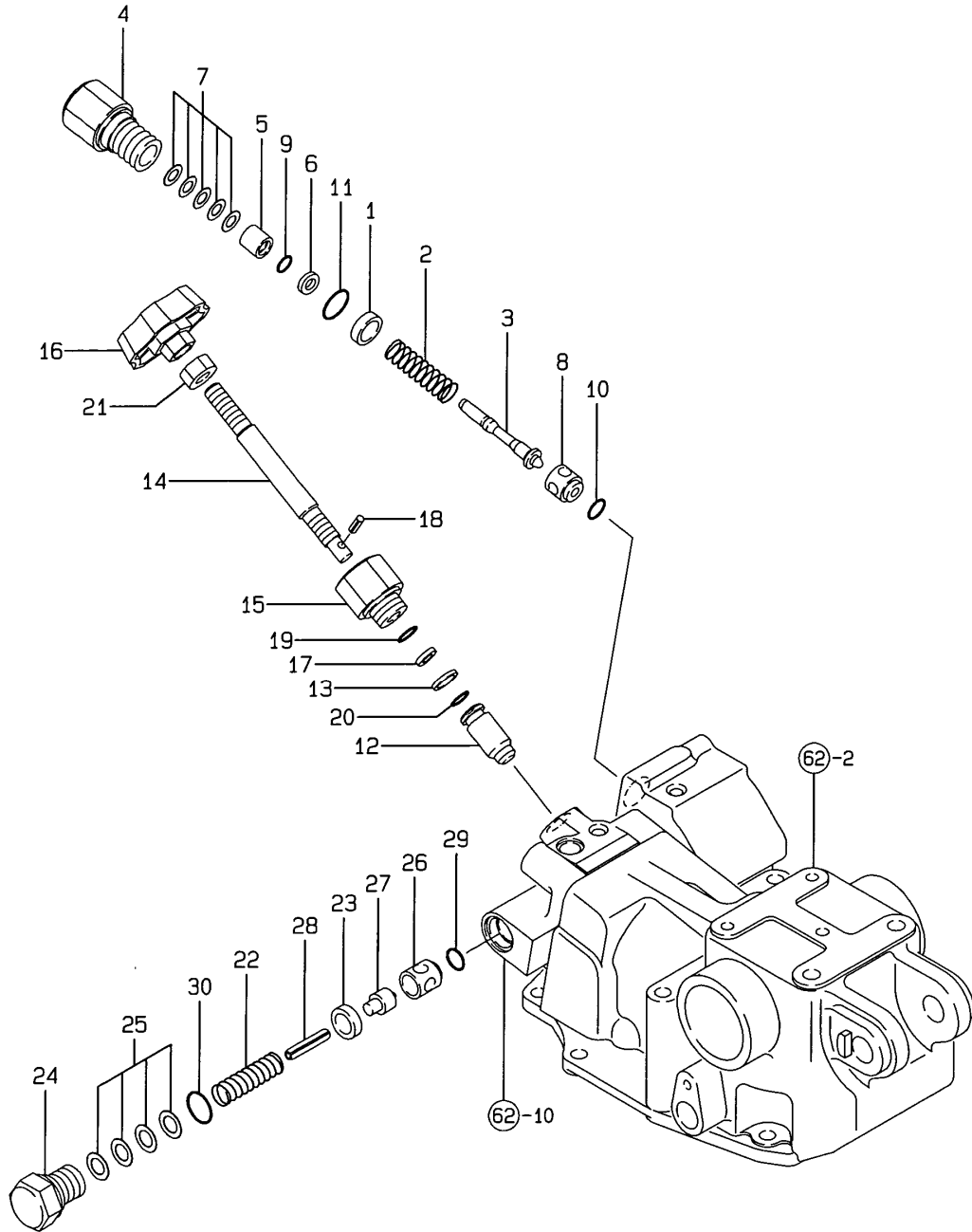
(A)=KE-170H
(B)=KE-200H
(C)=

(D)=
(E)=
(F)=

REF.	LEV.	PARTS NO.	DESCRIPTION	QTY						I	R
				(A)	(B)	(C)	(D)	(E)	(F)		
1	1	1A6640-45100	VALVE COMP.,CONTROL	1	1						
2	2	1A6640-45110	BODY COMP.,VALVE	1	1						
3	3	198435-45110	BODY,VALVE	1	1						
4	3	194170-45310	POPPET	1	1						
5	3	198435-45410	SEAT,L CHECK	1	1						
6	3	198435-45420	POPPET,L CHECK	1	1						
7	3	1A6640-45500	SPOOL COMP.	1	1						
8	4	1A6640-45530	SPOOL	1	1						
9	4	1A6640-45540	PIN,SPOOL	1	1						
10	2	1A6640-45210	BAR COMP.,PUSH	1	1						
11	3	194170-45220	BAR, PUSH	1	1						
12	3	194170-45550	BAR, SPOOL	1	1						
13	3	194170-45560	WASHER 12X40X0.6	1	1						
14	3	26116-060162	BOLT 6X16	1	1						
15	3	26756-060002	LOCK NUT 6	1	1						
16	2	1A6640-45230	VALVE,SP FLW.DIVID.	1	1						
17	2	1A6640-45150	M CHECK COMP.	1	1						
18	3	194170-45230	SPRING	1	1						
19	3	1A6640-45160	M CHECK SUB COMP.	1	1						
20	4	194170-45212	POPPET,M CHECK	1	1						
21	4	198435-45260	SEAT,M CHECK	1	1						
22	4	194170-45430	RING, BACK UP	1	1						
23	4	24311-000050	O-RING 1A P-5.0	1	1						
24	4	24311-000140	O-RING 1A P-14.0	1	1						
25	4	24341-000112	O-RING 1A S-11.2	1	1						
26	3	198421-45440	HOLDER, M.CHECK	1	1						
27	2	194170-45321	SPRING	1	1						
28	2	194850-45330	PLUG	1	1						
29	2	194170-45350	SPOOL	1	1						
30	2	194170-45360	SPRING	1	1						
31	2	194170-45370	PLUG	1	1						
32	2	194170-45440	PLUG	1	1						
33	2	194940-45520	SPRING,SPOOL	1	1						
34	2	1A6640-45560	SHOE,SPRING	1	1						
35	2	23871-010000	PLUG PT1/8,SCREW	2	2						
36	2	24311-000120	O-RING 1A P 12.0	2	2						
37	2	24315-000070	O-RING 1B P-7.0	1	1						
38	2	24315-000110	O-RING 1B P-11.0	1	1						
39	1	26450-080252	BOLT M 8X 25	3	3						

Fig.65. RELEF VALVE

65. RELIEF VALVE



OCNP3-G67600 65. RELEF VALVE

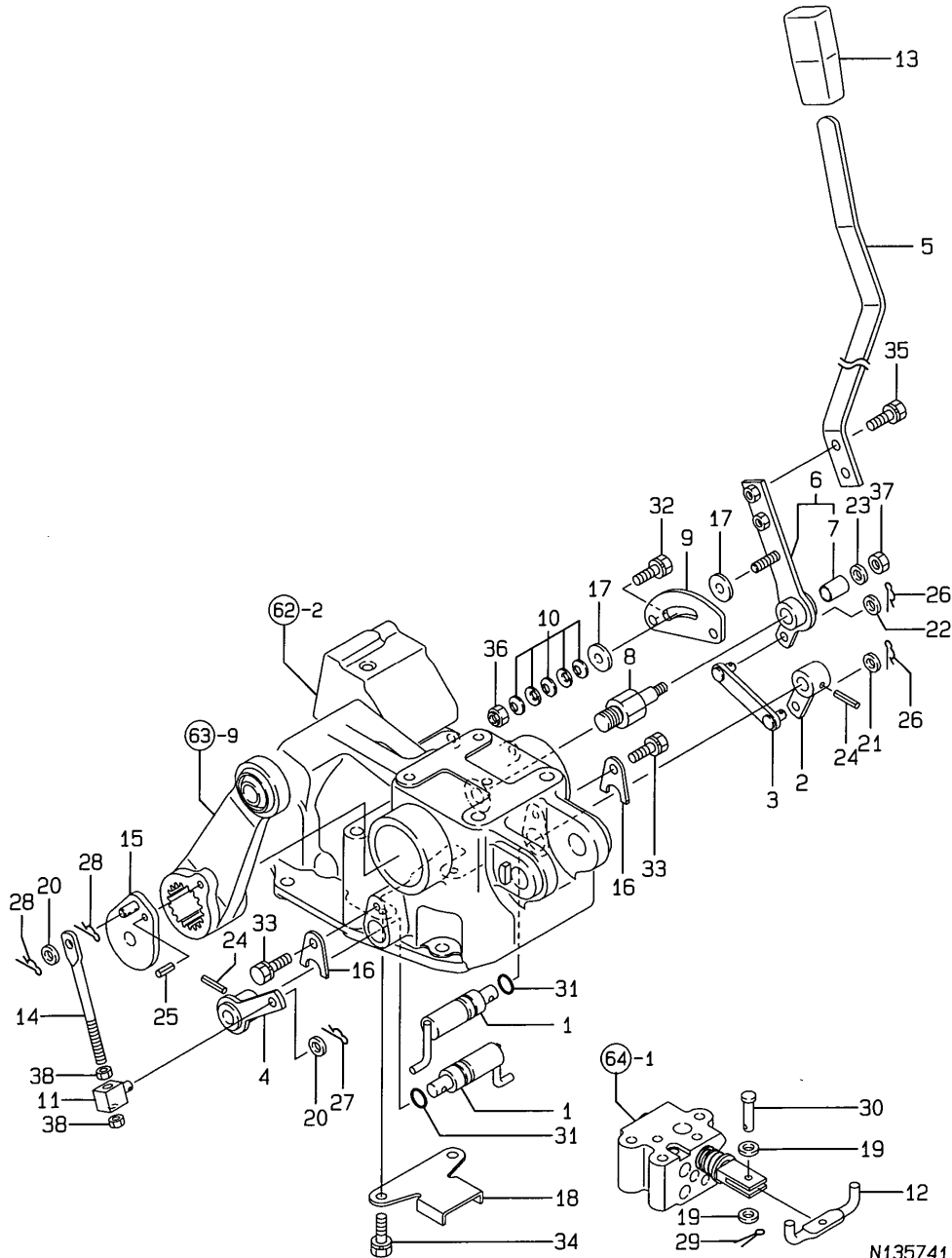
(A)=KE-170H
(B)=KE-200H
(C)=

(D)=
(E)=
(F)=

REF.	LEV.	PARTS NO.	DESCRIPTION	QTY						I	R
				(A)	(B)	(C)	(D)	(E)	(F)		
1	1	198220-45340	COLLAR, VALVE SEAT	1	1						
2	1	194170-45610	SPRING,RELIEF VALVE	1	1						
3	1	194195-45620	POPPET	1	1						
4	1	1A6640-45630	PLUG,RELIEF VALVE	1	1						
5	1	194195-45640	SEAT, SPRING	1	1						
6	1	194195-45650	WASHER	1	1						
7	1	194850-45700	SHIM PACK	1	1						
8	1	194195-46260	SEAT, RELIEF VALVE	1	1						
9	1	194850-49230	O-RING 6X1.8	1	1						
10	1	24311-000120	O-RING 1A P 12.0	1	1						
11	1	24311-000180	O-RING 1A P-18.0	1	1						
12	1	1A6640-46310	STOP VALVE	1	1						
13	1	1A6640-46320	RING P11,BACKUP	1	1						
14	1	1A6640-46620	BOLT,STOP	1	1						
15	1	194312-46630	HOLDER,VALVE (43)	1	1						
16	1	194555-46640	KNOB	1	1						
17	1	22117-080000	WASHER 8	1	1						
18	1	22351-040012	SPRING PIN 4X12	1	1						
19	1	24311-000120	O-RING 1A P 12.0	1	1						
20	1	24315-000110	O-RING 1B P-11.0	1	1						
21	1	26716-100002	NUT 10	1	1						
22	1	194150-45320	SPRING, RELIEF VALVE	1	1						
23	1	198220-45350	COLLAR	1	1						
24	1	198220-45370	PLUG, SAFETY VALVE	1	1						
25	1	198220-46400	SHIM PACK	1	1						
26	1	194640-46410	SEAT, SAFETY VALVE	1	1						
27	1	194640-46420	POPPET, SAFETY VALVE	1	1						
28	1	22351-060028	SPRING PIN 6X28	1	1						
29	1	24311-000120	O-RING 1A P 12.0	1	1						
30	1	24311-000180	O-RING 1A P-18.0	1	1						

Fig.66. HYDRAULIC CONTOR

66. HYDRAULIC CONTOR



N135741

OCNP3-G67600 66. HYDRAULIC CONTOR

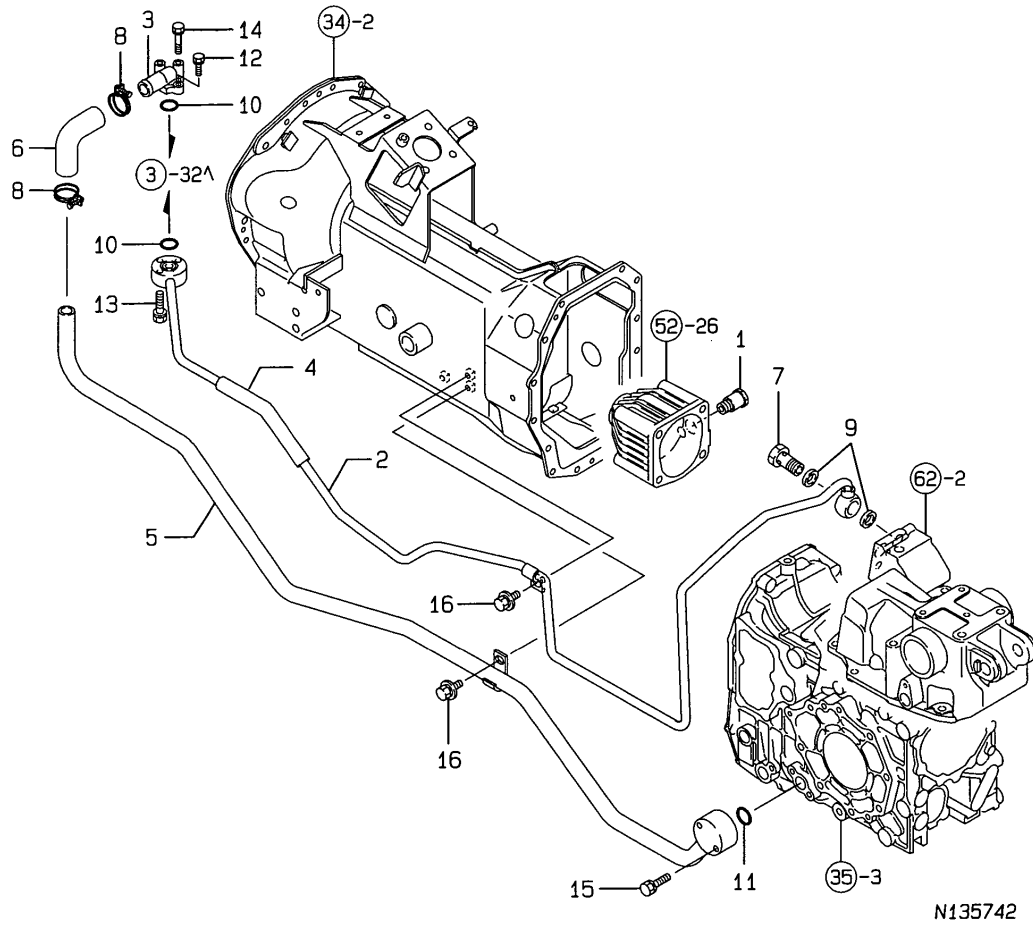
(A)=KE-170H
(B)=KE-200H
(C)=

(D)=
(E)=
(F)=

REF.	LEV.	PARTS NO.	DESCRIPTION	QTY						I	R
				(A)	(B)	(C)	(D)	(E)	(F)		
1	1	1A6640-47210	SHAFT,POS.CONT.COMP.	2	2						
2	1	1A6640-47260	ARM,P COMP.	1	1						
3	1	1A6640-47310	ROD,P COMP.	1	1						
4	1	1A6640-47350	ARM,F COMP.	1	1						
5	1	198165-47360	LEVER, P.CONTROL	1	1						
6	1	1A6640-47410	LEVER,P COMP.	1	1						
7	2	24550-012200	BUSH 12X20	1	1						
8	1	1A6640-47460	ROD,CONTROL	1	1						
9	1	1A6640-47510	GUIDE,LEVER	1	1						
10	1	1A6640-47520	SPRING 8,BELLEVILLE	5	5						
11	1	194208-47530	ADJUSTER	1	1						
12	1	1A6640-47550	BAR	1	1						
13	1	194150-47621	KNOB	1	1						
14	1	1A6640-47630	ROD,POS.FEEDBACK	1	1						
15	1	1A6640-47650	ARM,PF COMP.	1	1						
16	1	1A6640-47710	PLATE A	2	2						
17	1	1A6640-47780	PLATE,FRICTION	2	2						
18	1	1A6640-47810	GUIDE	1	1						
19	1	22137-060000	WASHER 6, POLISHED	2	2						
20	1	22137-080000	WASHER 8, POLISHED	2	2						
21	1	22137-080000	WASHER 8, POLISHED	1	1						
22	1	22137-080000	WASHER 8, POLISHED	1	1						
23	1	22137-080000	WASHER 8, POLISHED	1	1						
24	1	22351-050025	SPRING PIN 5X25	2	2						
25	1	22351-060016	SPRING PIN 6X16	1	1						
26	1	22372-080000	SNAP PIN (JASO 8)	2	2						
27	1	22372-080000	SNAP PIN (JASO 8)	1	1						
28	1	22372-080000	SNAP PIN (JASO 8)	2	2						
29	1	22417-160160	COTTER PIN 1.6X16	1	1						
30	1	22486-060140	PIN 6X 14	1	1						
31	1	24311-000160	O-RING 1A P-16.0	2	2						
32	1	26016-080162	BOLT M 8X 16	2	2						
33	1	26016-080162	BOLT M 8X 16	2	2						
34	1	26016-080162	BOLT M 8X 16	2	2						
35	1	26016-080202	BOLT M 8X 20	2	2						
36	1	26346-080002	U-NUT M 8 PLATED	1	1						
37	1	26716-080002	NUT M 8	1	1						
38	1	26716-080002	NUT M 8	2	2						

Fig.67. HYDRAULIC PIPING

67. HYDRAULIC PIPING



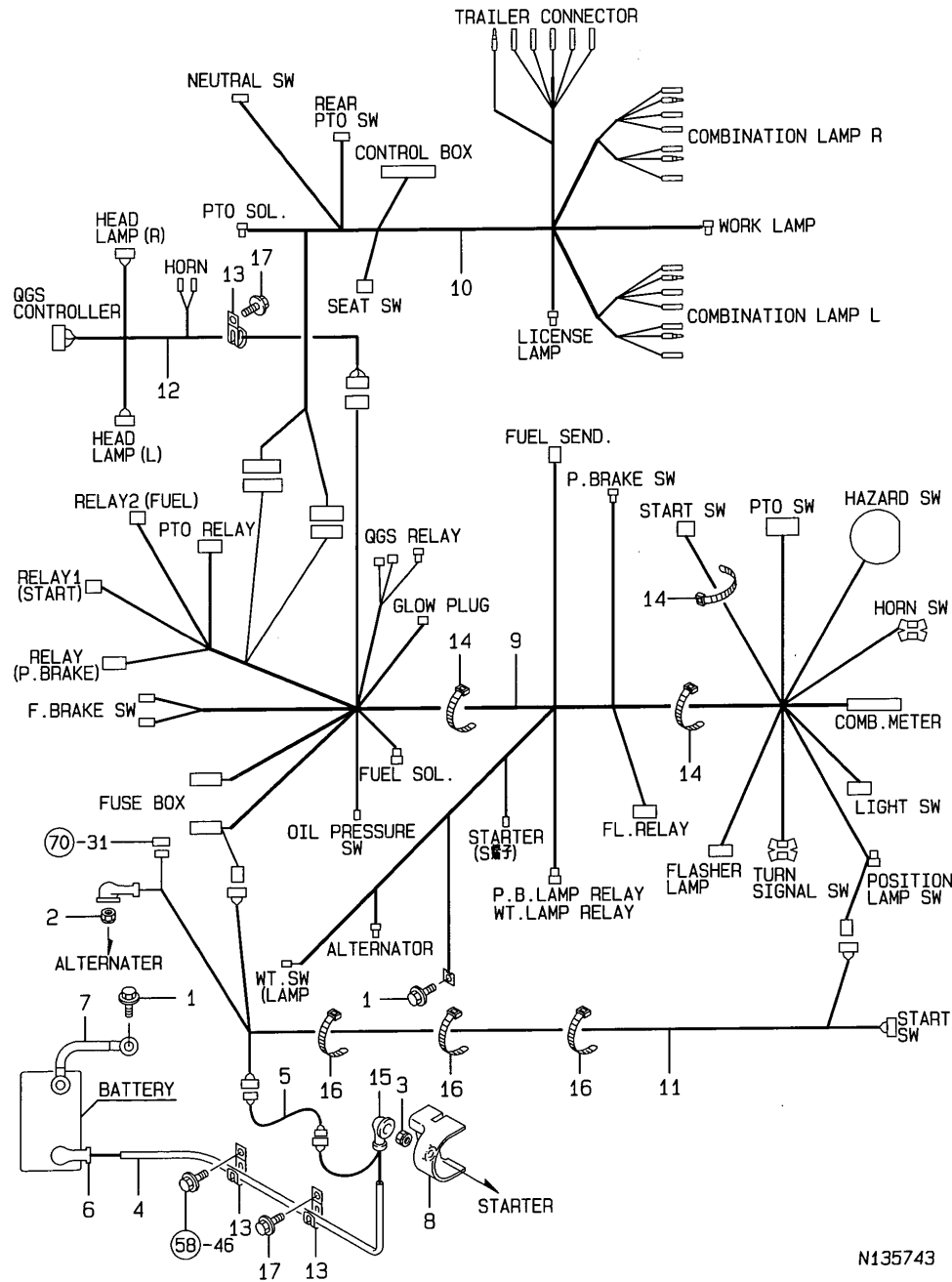
(A)=KE-170H
(B)=KE-200H
(C)=

(D)=
(E)=
(F)=

REF.	LEV.	PARTS NO.	DESCRIPTION	QTY						I	R
				(A)	(B)	(C)	(D)	(E)	(F)		
1	1	198167-29910	ADAPTER	1	1						
2	1	1A6640-48110	PIPE,HI-PRESSURE	1	1						
3	1	198220-48140	FLANGE	1	1						
I 4	1	198165-48270	TUBE	1	1						
5	1	198167-48320	LINE, SUCTION	1	1						
6	1	198167-48340	HOSE	1	1						
7	1	198361-48750	CONNECTOR BOLT ASSY	1	1						
8	1	23010-030000	CLAMP 30	2	2						
9	1	23414-200026	GASKET 20	2	2						
10	1	24311-000200	O-RING 1A P-20.0	2	2						
11	1	24311-000220	O-RING 1A P-22.0	1	1						
12	1	26013-060202	BOLT M 6X 20	1	1						
13	1	26013-060302	BOLT M 6X 30	3	3						
14	1	26013-060402	BOLT M 6X 40	2	2						
15	1	26013-080452	BOLT M 8X 45	2	2						
16	1	26018-080202	BOLT M 8X 20	2	2						

Fig.68. WIRE HARNESS

68. WIRE HARNESS



N135743

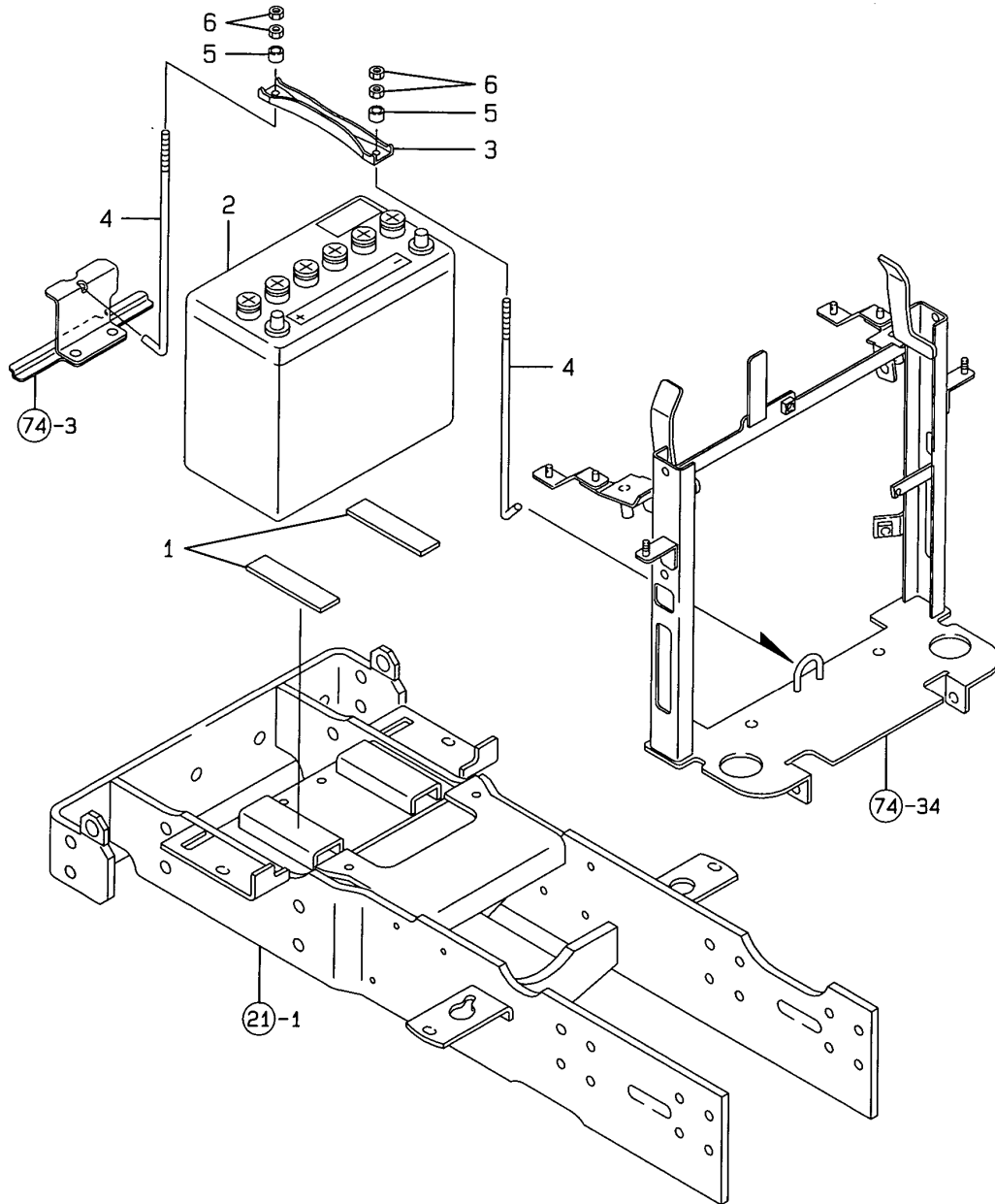
(A)=KE-170H
(B)=KE-200H
(C)=

(D)=
(E)=
(F)=

REF.	LEV.	PARTS NO.	DESCRIPTION	QTY						I	R
				(A)	(B)	(C)	(D)	(E)	(F)		
1	1	1C6560-06300	BOLT M8X16,EARTH	2	2						
2	1	194990-22040	NUT W/WASHER 6	1	1						
3	1	194990-22050	NUT W/WASHER 8	1	1						
I 4	1	198165-48270	TUBE	1	1						
5	1	194312-51220	LINK, FUSIBLE	1	1						
6	1	198165-51411	CABLE, BATTER PLUS	1	1						
7	1	198165-51421	CABLE, BATTER EARTH	1	1						
8	1	198165-51450	COVER	1	1						
9	1	1A6640-51510	HARNES A,WIRE	1	1						
10	1	1A6640-51520	HARNES B,WIRE	1	1						
11	1	198165-51550	HANESS P,WIRE	1	1						
12	1	198165-51570	HANESS E,WIRE	1	1						
13	1	194440-51620	CLAMP, WIRE HARNESS	4	4						
14	1	194250-51660	BAND 250	4	4						
15	1	124160-77020	COVER, TERMINAL	1	1						
16	1	1E6102-84970	BAND 140,WIRE LOCK	7	7						
17	1	26013-080122	BOLT M 8X 12	3	3						

Fig.69. BATTERY

69. BATTERY



OCNP3-G67600 69. BATTERY

(A)=KE-170H
(B)=KE-200H
(C)=

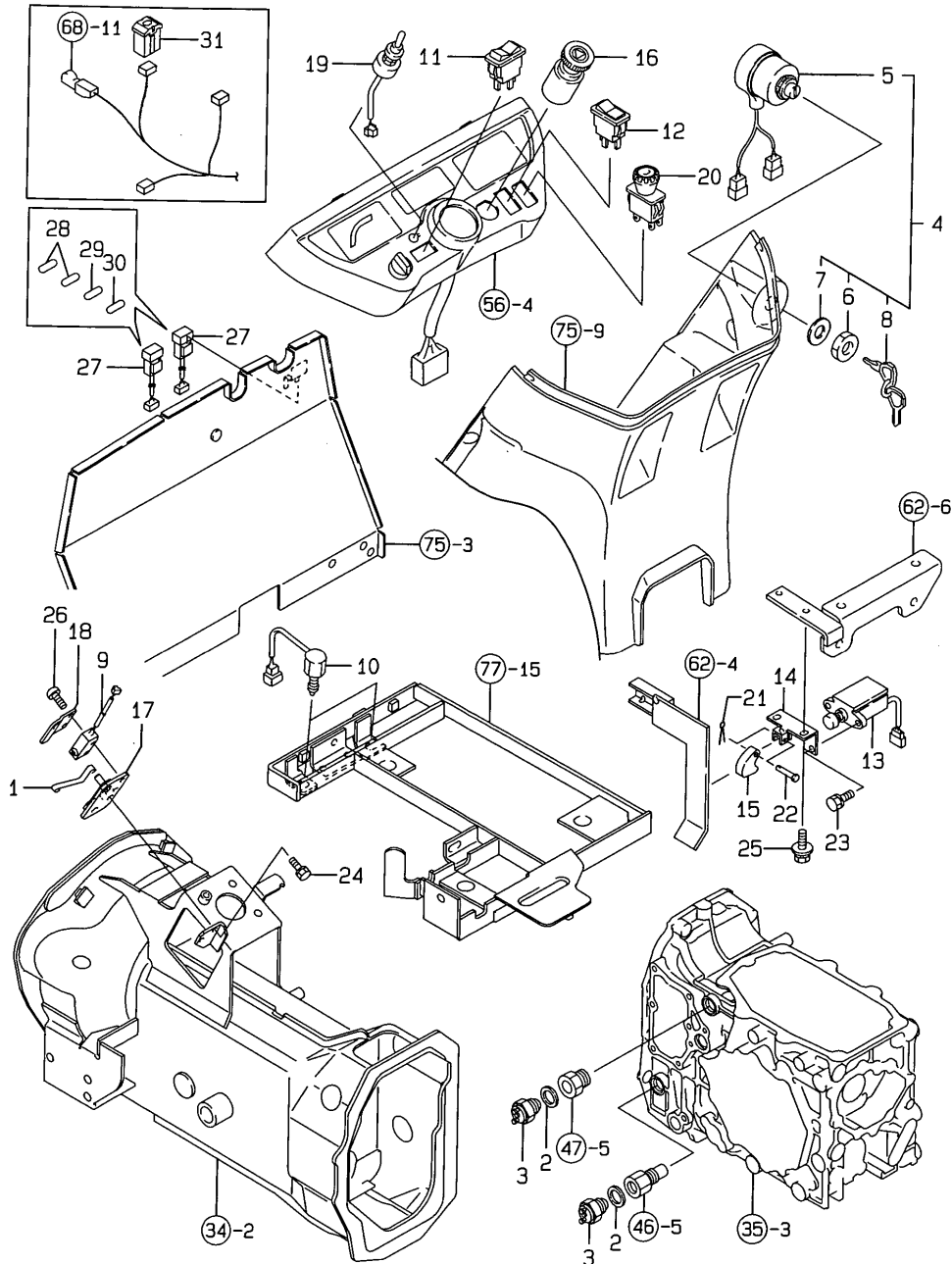
(D)=
(E)=
(F)=

REF.	LEV.	PARTS NO.	DESCRIPTION	QTY						I	R
				(A)	(B)	(C)	(D)	(E)	(F)		
1	1	198165-04380	RUBBER, 100X25X3	2	2						
2	1	198165-51310	BATTERY, 55B24R(S)	1	1						
I	2-1	198167-51310	BATTERY 55B24(S)	1	1						N
		(A=*2007.12.) (B=F131434)									
3	1	198165-58010	CLAMP, BATTERY	1	1						
4	1	198165-58120	ROD, BATTERY CLAMP	2	2						
5	1	198165-58130	COLLAR(10.5X13	2	2						
6	1	26716-060002	NUT 6	4	4						

N135744

Fig.70. SWITCHES

70. SWITCHES



(A)=KE-170H
(B)=KE-200H
(C)=

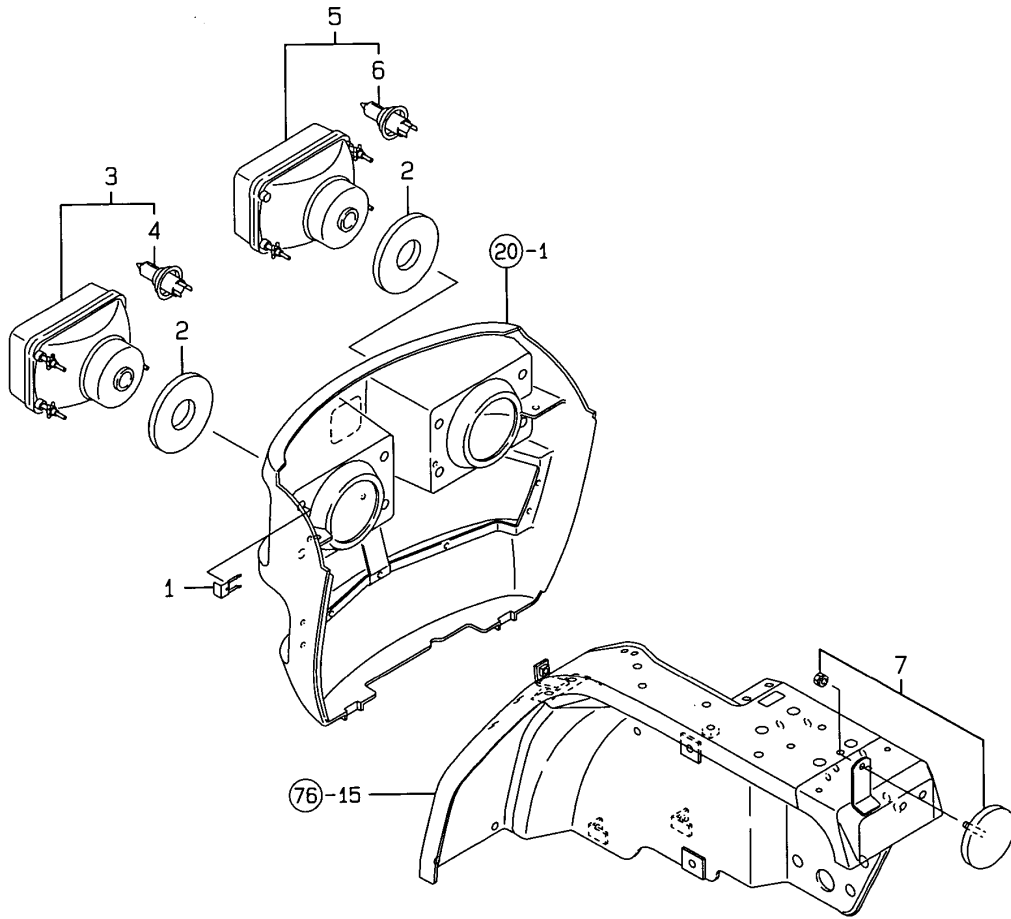
(D)=
(E)=
(F)=

REF.	LEV.	PARTS NO.	DESCRIPTION	QTY						I	R
				(A)	(B)	(C)	(D)	(E)	(F)		
1	1	1C6460-07510	SPRING,SENSOR	1	1						
2	1	194850-49290	PACKING 6-1	2	2						
3	1	198165-50110	SWITCH,NEUTRAL	2	2						
4	1	198162-52110	SWITCH, STARTING	1	1						
5	2	194940-52150	BODY COMP,STR.SWITCH	1	1						
6	3	198360-52320	NUT,RING	1	1						
7	3	198360-52330	WASHER	1	1						
8	2	198162-52150	KEY ASSY	1	1						
9	1	198165-52140	SWITCH, P. BRAKE	1	1						
10	1	198223-52150	SWITCH,BRAKE LAMP	2	2						
11	1	198165-52200	SWITCH,TURN	1	1						
12	1	198165-52250	SWITCH,HORN	1	1						
13	1	198220-52300	SWITCH,SEAT	1	1						
14	1	198223-52330	BRACKET,SEAT SWITCH	1	1						
15	1	198223-52340	CAM,SEAT SWITCH	1	1						
16	1	198223-52400	SWITCH	1	1						
17	1	1A6640-52420	STAY,SWITCH	1	1						
18	1	1A6640-52430	PLATE,GUIDE	1	1						
19	1	198223-52510	SWITCH	1	1						
20	1	198167-52600	SWITCH,P.T.O.	1	1						
21	1	22417-120100	COTTER PIN 1.2X10	1	1						
22	1	22487-040200	PIN 4X 20	1	1						
23	1	26016-060122	BOLT M 6X 12	2	2						
24	1	26016-060162	BOLT M 6X 16	2	2						
25	1	26018-060122	BOLT M 6X 12	2	2						
26	1	26023-030202	SCREW	2	2						
27	1	1C6740-06250	BLOCK 4PB,FUSE	2	2						
28	2	29420-100000	FUSE, 10A	4	4						
29	2	29420-150000	FUSE, 15A	2	2						
30	2	29420-200000	FUSE, 20A	2	2						
31	1	198165-51160	FUSE 80A	1	1						
I 31-1	1	198153-51700	BLOW 79A,SLOW CMP	1	1						R
				(A=*2007.07.)		(B=*2007.07.)					

N135745

Fig.71. LAMP

71. LAMP



0CNP3-G67600 71. LAMP

(A)=KE-170H
(B)=KE-200H
(C)=

(D)=
(E)=
(F)=

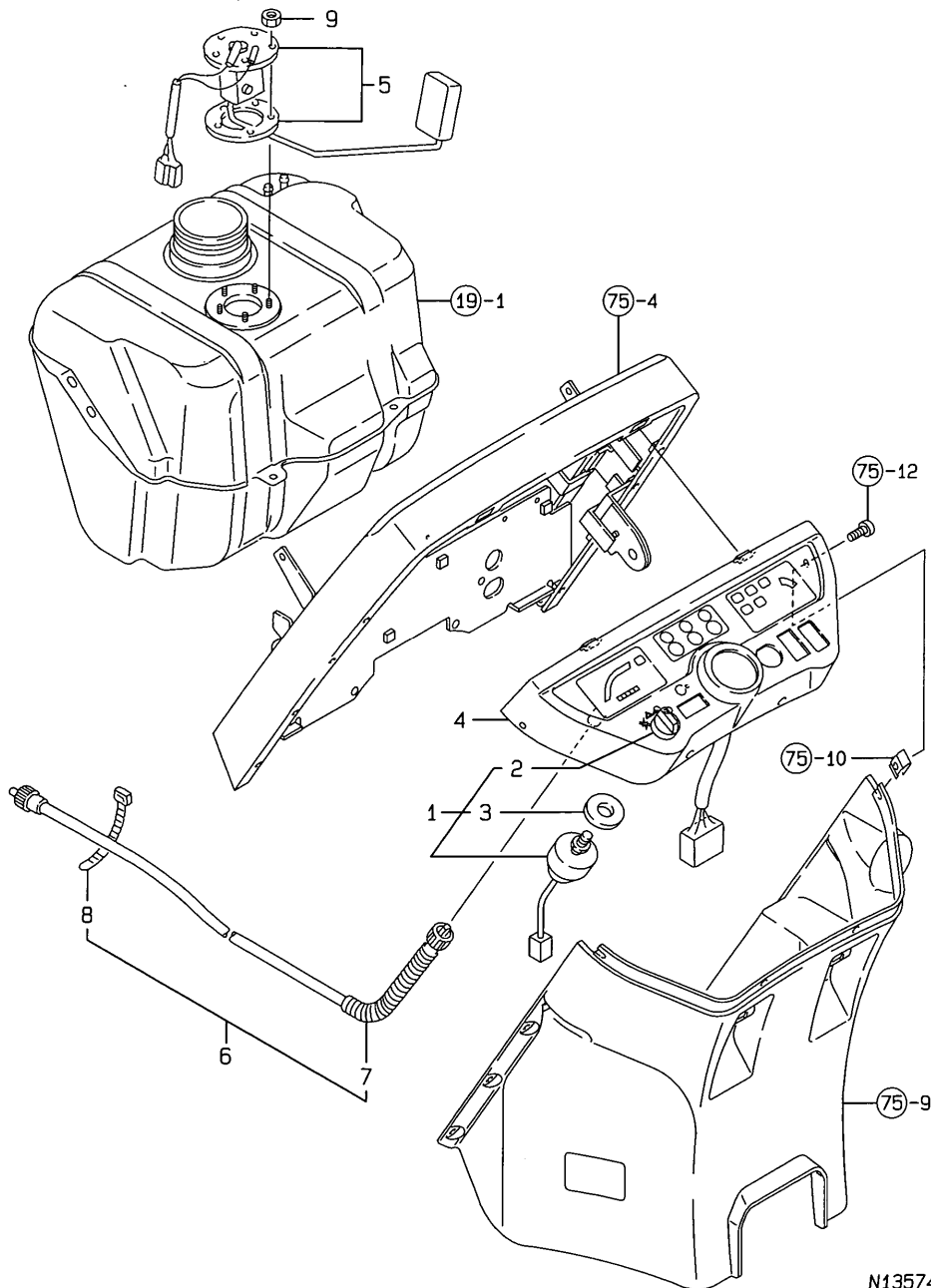
REF.	LEV.	PARTS NO.	DESCRIPTION	Q'TY						I	R
				(A)	(B)	(C)	(D)	(E)	(F)		
1	1	198165-53140	CLIP,HEADLIGHT	6	6						
2	1	198165-53190	BAFFLE, HEAD LIGHT	2	2						
3	1	198165-53510	LAMP L	1	1						
4	2	198165-53530	BULB	1	1						
5	1	198165-53520	LAMP R	1	1						
6	2	198165-53530	BULB	1	1						
7	1	198223-57110	REFLECTOR	2	2						

Fig.72. METER

72. METER

(A)=KE-170H
(B)=KE-200H
(C)=

(D)=
(E)=
(F)=



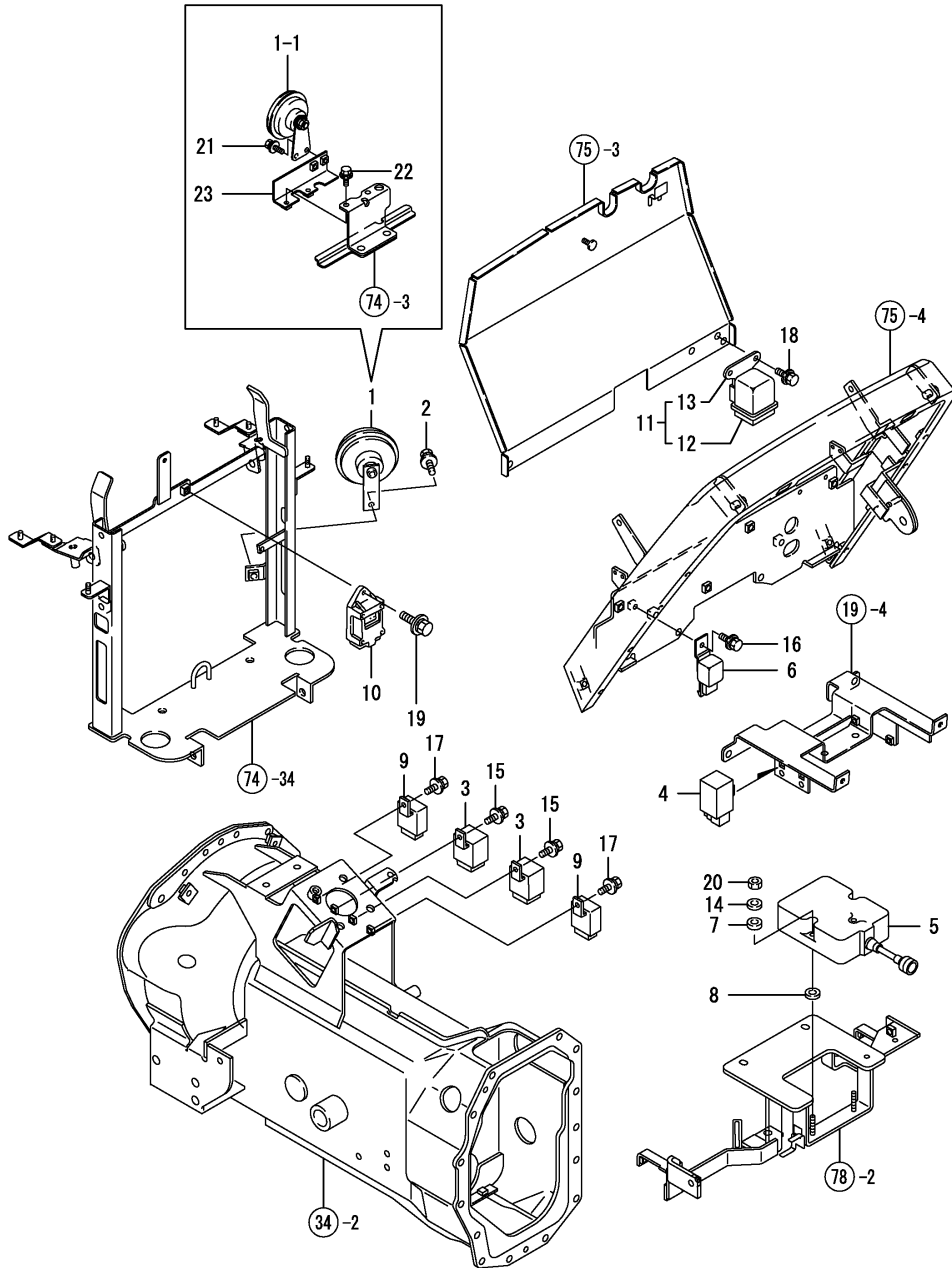
REF.	LEV.	PARTS NO.	DESCRIPTION	QTY						I	R
				(A)	(B)	(C)	(D)	(E)	(F)		
1	1	198165-52100	SWITCH,CMP LIGHTING	1	1						
2	2	198165-52110	KNOB	1	1						
I 3	2	198165-52120	SEAL	1	1						
4	1	198167-56300	PANEL,CMP INSTRUMENT	1	1						
5	1	198165-56610	SENDER,UNIT FUEL	1	1						
6	1	198165-56900	CABLE,COMP	1	1						
I 6-1	1	1A6680-56900	CABLE ASSY, METER	1	1						R
		(A=*2003.10.) (B=F130760)									
7	2	198165-56920	CABLE, HOUR-METER	1	1						
I 7-1	2	1A6680-56920	CABLE, HOUR METER	1	1						R
8	2	1E6102-84970	BAND 140,WIRE LOCK	1	1						
9	1	26716-040002	NUT M 4	5	5						

N135747

Fig.73. HORN & RELAY

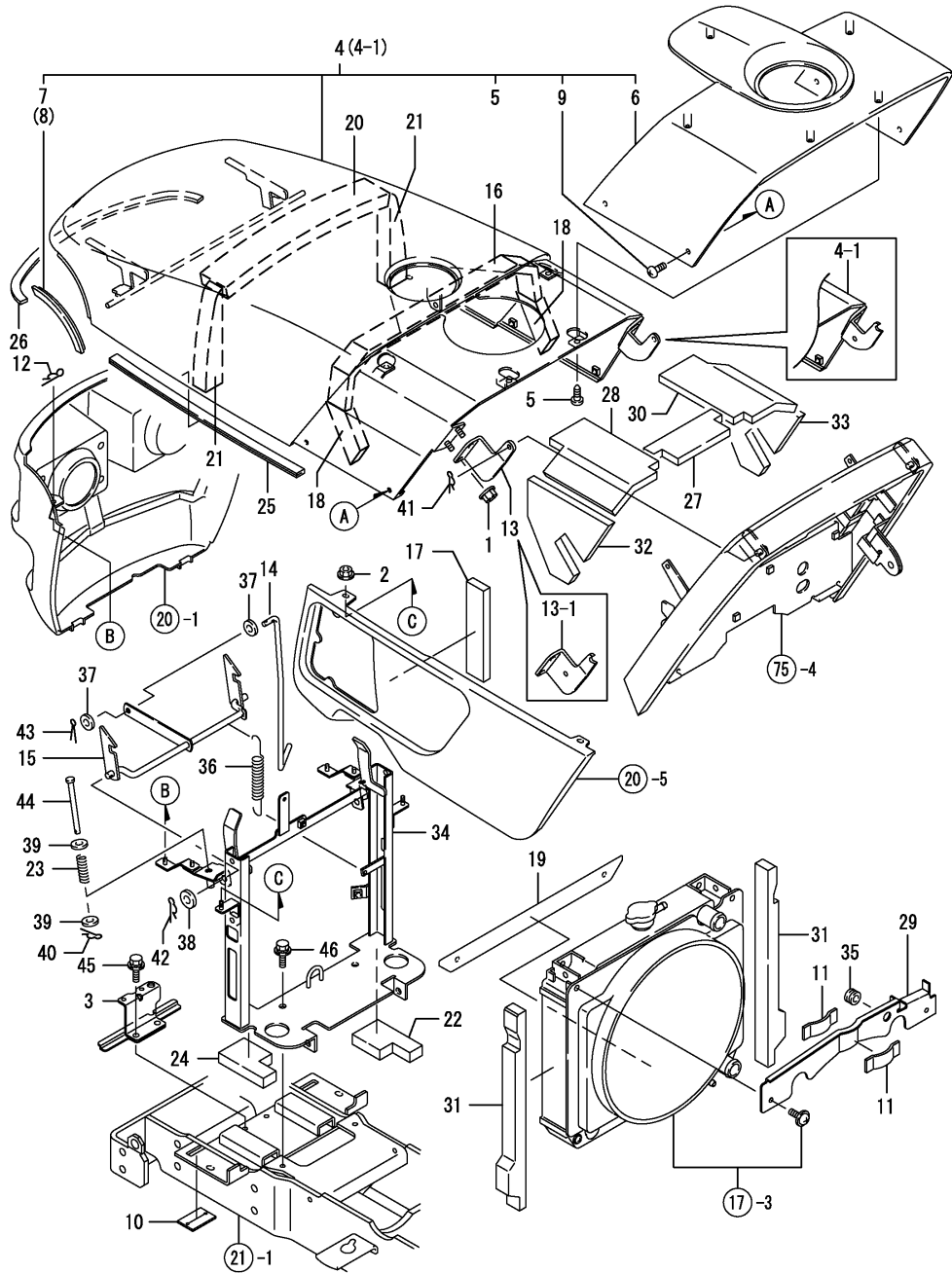
(A)=KE-170H
(B)=KE-200H
(C)=

(D)=
(E)=
(F)=



REF.	LEV.	PARTS NO.	DESCRIPTION	QTY						I	R
				(A)	(B)	(C)	(D)	(E)	(F)		
1	1	198223-57100	HORN	1	1						
I	1-1	1 1C7100-08150	HORN,ELECTRIC	1	1						N
		(A=*2006.04.) (B=F130778)									
I	2	1 26018-080202	BOLT M 8X 20	1	1						Z
		(A=*2006.04.) (B=F130778)									
	3	1 198220-52180	RELAY, STARTER	2	2						
	4	1 198165-52500	UNIT, HAZARD	1	1						
	5	1 198165-52600	CONTROLLER,CHAIN	1	1						
	6	1 198223-57200	RELAY, FLASHER	1	1						
I	6-1	1 198282-57200	FLASHER RELAY	1	1						R
		(A=*2009.02.) (B=*2009.02.)									
	7	1 194151-57210	SPACER	2	2						
	8	1 194420-62260	RUBBER, CUSHION	2	2						
	9	1 119247-77100	RELAY, SAFETY	2	2						
	10	1 119650-77902	CONTROLLER	1	1						
	11	1 119650-77910	RELAY, GROW	1	1						
	12	2 129052-77920	BODY, RELAY	1	1						
	13	2 119650-77930	BRACKET, RELAY	1	1						
	14	1 22137-060000	WASHER 6, POLISHED	2	2						
	15	1 26018-060162	BOLT M6X16	2	2						
	16	1 26018-060162	BOLT M6X16	1	1						
	17	1 26018-060162	BOLT M6X16	2	2						
	18	1 26018-060162	BOLT M6X16	2	2						
	19	1 26018-060202	BOLT M 6X 20	1	1						
	20	1 26986-060002	LOCK NUT 6	2	2						
I	21	1 26018-060162	BOLT M6X16	2	2						W
		(A=*2006.04.) (B=F130778)									
I	22	1 26018-060162	BOLT M6X16	2	2						W
		(A=*2006.04.) (B=F130778)									
I	23	1 1A6641-57110	STAY,HORN	1	1						W
		(A=*2006.04.) (B=F130778)									

Fig.74. BONNET



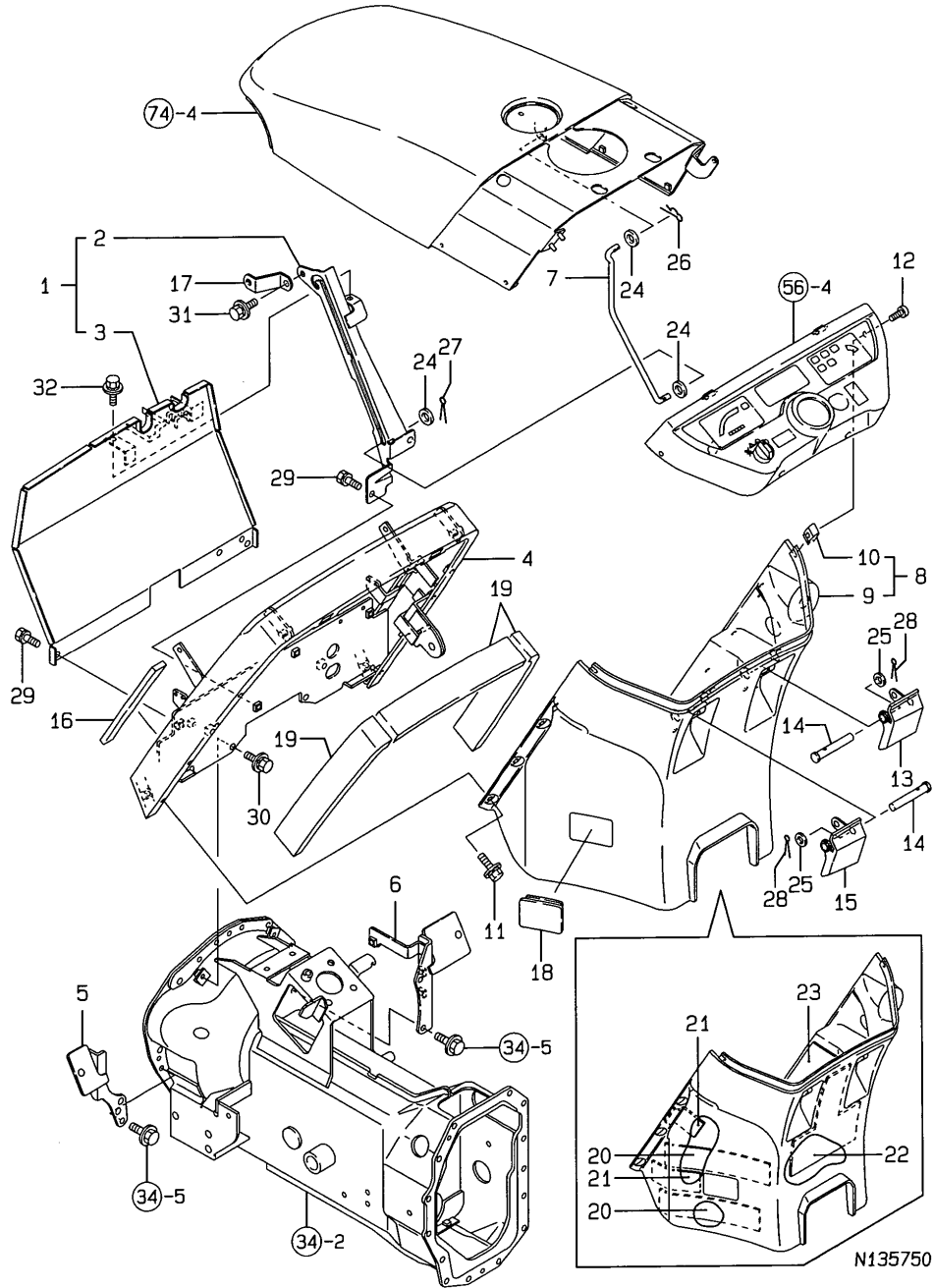
(A)=KE-170H
(B)=KE-200H
(C)=

(D)=
(E)=
(F)=

REF.	LEV.	PARTS NO.	DESCRIPTION	QTY						I	R
				(A)	(B)	(C)	(D)	(E)	(F)		
1	1	194990-22130	NUT W/WASHER 6	2	2						
2	1	194990-22130	NUT W/WASHER 6	2	2						
3	1	198165-58110	ROD STAY CMP	1	1						
4	1	1A6640-61100	BONNET KIT	1	1						
I 4-1	1	1A6640-61101	BONNET KIT	1	1						S
		(A=*2006.03.) (B=F131056)									
5	2	1C6650-37480	SCREW M6X16,TAPPING	5	5						
6	2	1A6640-61300	EXT.COMP.,BONNET	1	1						
7	2	1A6640-61450	SEAL L,BONNET SIDE	1	1						
8	2	1A6640-61460	SEAL R,BONNET SIDE	1	1						
9	2	26589-060162	SCREW M6,BINDING	4	4						
10	1	198165-61200	SEAL	2	2						
11	1	198162-61370	SEAL E,LADIATOR	2	2						
12	1	198165-61400	PIN	2	2						
13	1	198162-61410	HINGE L,BONNET	1	1						
I 13-1	1	1A6641-61400	HINGE HL,BONNET	1	1						S
		(A=*2006.03.) (B=F131056)									
14	1	198165-61441	LINK, CATCH	1	1						
15	1	198165-61451	CATCH,CMP BONNET	1	1						
16	1	198421-61470	FOAMS,BONNET URETHAN	1	1						
17	1	198421-61510	FOAM,SUC.PIPE URETHN	2	2						
18	1	198421-61540	PAD, REAR	2	2						
19	1	198165-61780	PLATE M, SEAL	1	1						
20	1	198165-61810	SEAL,BONNET UPPER	1	1						
21	1	1A6640-61820	SEAL,BONNET SIDE	2	2						
22	1	198165-61840	SEAL, SUPPORT (R)	1	1						
23	1	198165-61850	SPRING, BONNET	2	2						
24	1	198165-61860	SEAL, SUPPORT (L)	1	1						
25	1	1A6640-61870	SEAL,BONNET	2	2						
26	1	1A6640-61880	SEAL 15X5X450	1	1						
27	1	1A6640-61900	MATERIAL A,SOUNDRPF.	1	1						
28	1	1A6640-61910	MATERIAL B,SOUNDRPF.	1	1						
29	1	198165-61910	PLATE,WIND-CUT UPPER	1	1						
30	1	1A6640-61920	MATERIAL B,SOUNDRPF.	1	1						
31	1	198165-61920	SEAL,RADIATOR SIDE A	2	2						
32	1	1A6640-61930	MATERIAL C,SOUNDRPF.	1	1						
33	1	1A6640-61940	MATERIAL C,SOUNDRPF.	1	1						
34	1	1A6640-64310	STAY COMP.,SUPPORT	1	1						
35	1	172026-81740	GROMMET 16X22X8	1	1						
36	1	1C6360-82210	SPRING,MARKER LOCK	1	1						
37	1	22137-080000	WASHER 8, POLISHED	2	2						
38	1	22137-100000	WASHER 10,POLISHED	1	1						
39	1	22157-060000	WASHER 6	4	4						
40	1	22372-060000	SNAP PIN 6	2	2						
41	1	22372-080000	SNAP PIN (JASO 8)	1	1						
42	1	22372-100000	SNAP PIN 10	1	1						
43	1	22417-200160	COTTER PIN 2.0X16	1	1						
44	1	22487-060800	PIN	2	2						
45	1	26018-080162	BOLT M 8X 16	2	2						
46	1	26018-080202	BOLT M 8X 20	4	4						

Fig.75. DASHBOARD

75. DASHBOARD



OCNP3-G67600 75. DASHBOARD

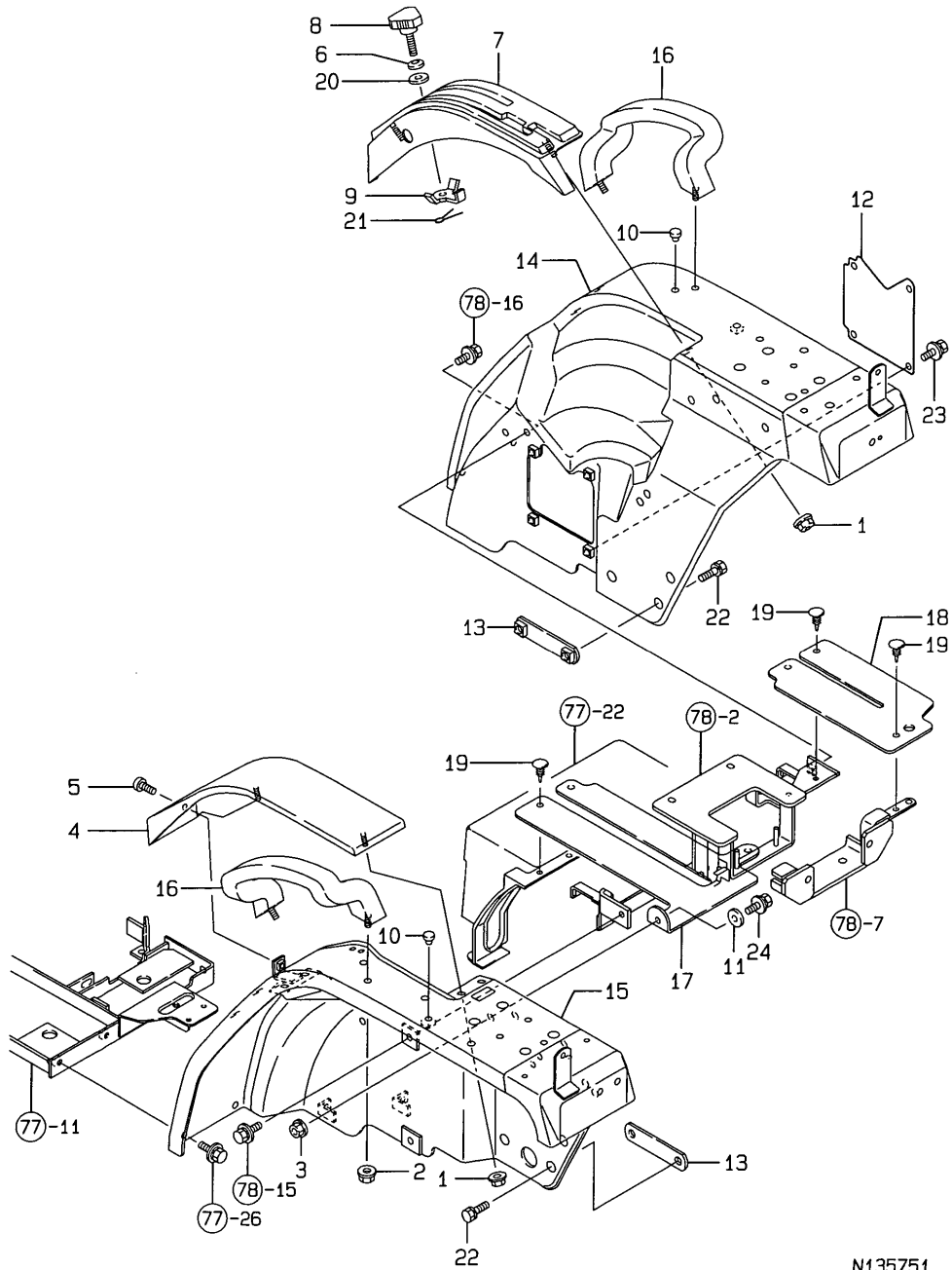
(A)=KE-170H
(B)=KE-200H
(C)=

(D)=
(E)=
(F)=

REF.	LEV.	PARTS NO.	DESCRIPTION	QTY						I	R
				(A)	(B)	(C)	(D)	(E)	(F)		
1	1	198165-61040	PLATE KIT(E)	1	1						
2	2	198165-61562	SUPPORT	1	1						
3	2	198165-64570	PLAT,AIR-CUT	1	1						
4	1	198165-61501	STAY,DASH-BORD	1	1						
5	1	198165-61531	BRACKET L,DASHBORD	1	1						
6	1	198165-61541	BRACKET R,DASHBORD	1	1						
7	1	198165-61550	ROD,BONNET	1	1						
8	1	198167-61600	DASHBORD,CMP	1	1						
11	1	198421-61620	BOLT 6X20	8	8						
12	1	194145-61640	SCREW M 5X 16	4	4						
13	1	198167-61660	CONTROL LEVER,CRUZE	1	1						
14	1	198162-61670	PIN	2	2						
15	1	198167-61680	LEVER,PARKING LEVER	1	1						
16	1	198165-61790	SEAL	2	2						
17	1	198165-61830	STAY, SUPPORT	1	1						
18	1	194802-62310	CAP, RUBBER	1	1						
19	1	198165-64050	SEAL A	3	3						
20	1	198165-64060	SEAL B	2	2						
21	1	198165-64070	SEAL C	2	2						
22	1	198165-64250	SEAL D	1	1						
23	1	198165-64260	SEAL E	1	1						
24	1	22137-080000	WASHER 8, POLISHED	3	3						
25	1	22137-120000	WASHER 12,POLISHED	2	2						
26	1	22372-080000	SNAP PIN (JASO 8)	1	1						
27	1	22417-200200	COTTER PIN 2.0X20	1	1						
28	1	22417-250320	COTTER PIN 2.5X 32	2	2						
29	1	26016-080162	BOLT M 8X 16	4	4						
30	1	26018-080202	BOLT M 8X 20	2	2						
31	1	26018-080202	BOLT M 8X 20	2	2						
32	1	26018-080202	BOLT M 8X 20	1	1						

Fig.76. FENDER

76. FENDER



(A)=KE-170H
(B)=KE-200H
(C)=

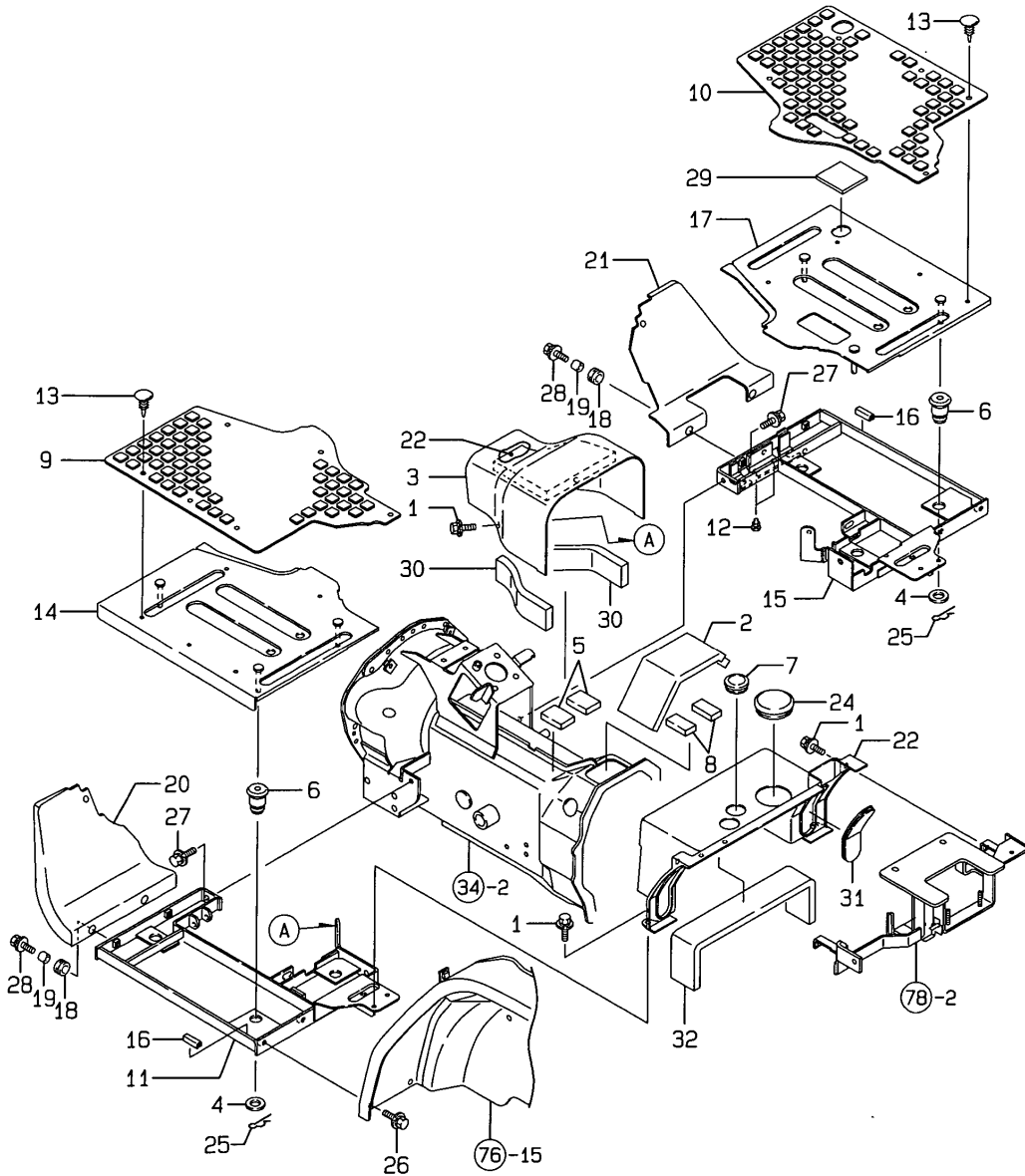
(D)=
(E)=
(F)=

REF.	LEV.	PARTS NO.	DESCRIPTION	QTY						I	R
				(A)	(B)	(C)	(D)	(E)	(F)		
1	1	194990-22130	NUT W/WASHER 6	4	4						
2	1	194990-22140	NUT W/WASHER 8	4	4						
3	1	194990-22140	NUT W/WASHER 8	1	1						
4	1	198167-27450	GUIDE,SHIFT LEVER	1	1						
5	1	1C6650-35150	SCREW M6X16,BLK.M/C	1	1						
6	1	194300-37570	SPRING, CONICAL	1	1						
7	1	198165-47710	GUIDE, HYD.LEVER	1	1						
8	1	198165-47750	KNOB, HYD.CONTROL	1	1						
9	1	198165-47760	STOPPER,HYD.CONTROL	1	1						
I	9-1	1	1A7510-47760	STOPPER, HYD.CONTROL	1	1					N
		(A=*2006.05.)	(B=F131056)								
10	1	194310-61610	GROMMET 9	2	2						
11	1	198220-62150	WASHER	1	1						
12	1	1A6640-62180	COVER,FENDER R	1	1						
13	1	198165-62251	CLAMP, FENDER	2	2						
14	1	1A6640-62300	FENDER R KIT	1	1						
15	1	1A6640-62310	FENDER L COMP.	1	1						
16	1	198165-62410	BAR,ASHIST	2	2						
17	1	198167-62430	COVER,L	1	1						
18	1	198165-62440	COVER,R	1	1						
19	1	198162-62630	FASTENER	6	6						
20	1	22157-080000	WASHER 8	1	1						
21	1	22417-200160	COTTER PIN 2.0X16	1	1						
22	1	26013-120302	BOLT W/WASHER M12X30	4	4						
23	1	26018-080162	BOLT M 8X 16	4	4						
24	1	26018-080202	BOLT M 8X 20	1	1						

N135751

Fig.77. STEP

77. STEP



N135752

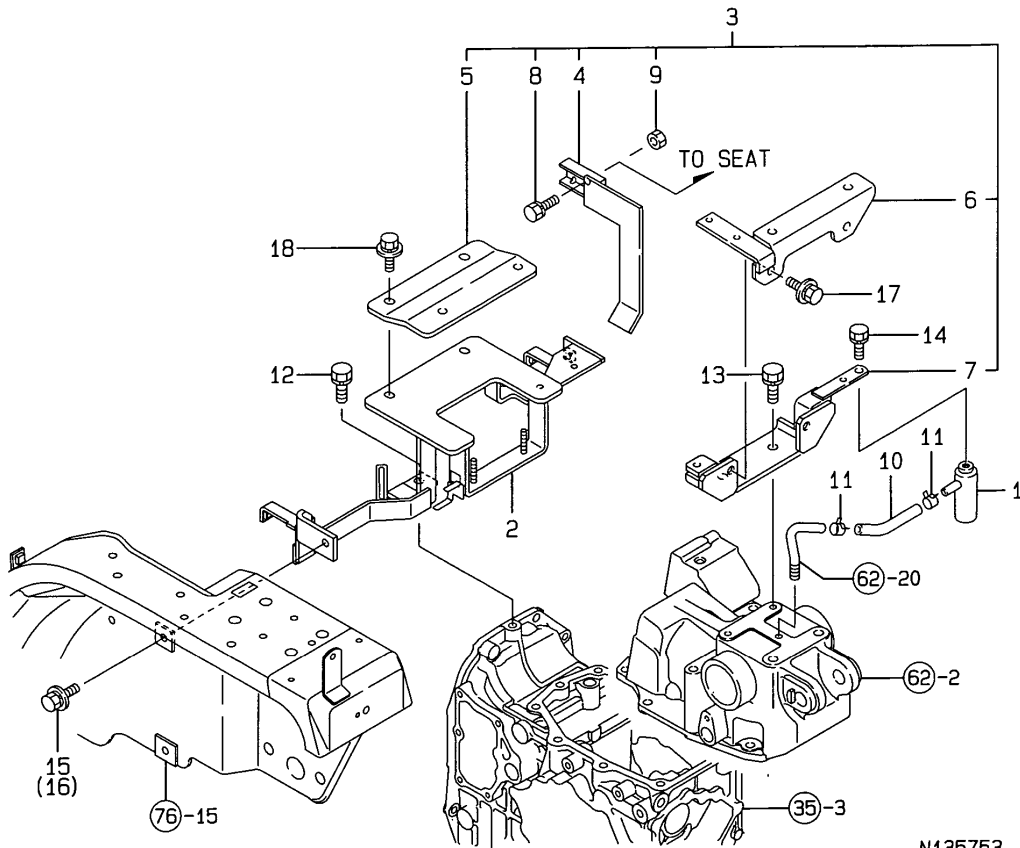
(A)=KE-170H
(B)=KE-200H
(C)=

(D)=
(E)=
(F)=

REF.	LEV.	PARTS NO.	DESCRIPTION	Q'TY						I	R
				(A)	(B)	(C)	(D)	(E)	(F)		
1	1	198421-61620	BOLT 6X20	6	6						
2	1	198167-61910	SEAL D	1	1						
3	1	1A6640-62080	COVER F.COMP.,FRONT	1	1						
4	1	198220-62150	WASHER	6	6						
5	1	198167-62450	RUBBER	2	2						
6	1	198240-62451	RUBBER,STEP VIB'PRF.	6	6						
7	1	198165-62460	GROMMET	1	1						
I 8	1	198167-62460	RUBBER	2	2						
9	1	198165-62480	RUBBER L,STEP	1	1						
10	1	1A6640-62490	RUBBER R,STEP	1	1						
11	1	1A6640-62500	FRAME L COMP.,STEP	1	1						
12	1	194330-62530	STOPPER, PEDAL	2	2						
13	1	198162-62630	FASTENER	11	11						
14	1	1A6640-62660	STEP L COMP.	1	1						
15	1	1A6640-62700	FRAME R COMP.,STEP	1	1						
16	1	198220-62890	STOPPER	8	8						
17	1	1A6640-62930	STEP R COMP.	1	1						
18	1	1A6640-62960	GROMMET	4	4						
19	1	1A6640-62970	COLLAR 8.8X12X10	4	4						
20	1	1A6640-62980	COVER L,HOOD	1	1						
21	1	1A6640-62990	COVER R,HOOD	1	1						
22	1	1A6640-61960	SEAL,FRONT COVER FU	1	1						
23	1	1A6640-64960	SEAL,FRONT COVER	1	1						
24	1	1A6640-64970	GROMMET 60	1	1						
25	1	22372-080000	SNAP PIN (JASO 8)	6	6						
26	1	26018-080202	BOLT M 8X 20	4	4						
27	1	26018-080202	BOLT M 8X 20	4	4						
28	1	26018-080252	BOLT M8X 25	4	4						
29	1	1C6900-55010	RUBBER,SENSTVTY.WIRE	1	1						
30	1	1A6640-61970	SEAL,FRONT COVER FS	2	2						
31	1	1A6640-64940	GROMMET,SLOT	1	1						
32	1	1A6640-64980	SEAL,FRONT COVER	1	1						

Fig.78. OPERATOR SEAT

78. OPERATOR SEAT



N135753

OCNP3-G67600 78. OPERATOR SEAT

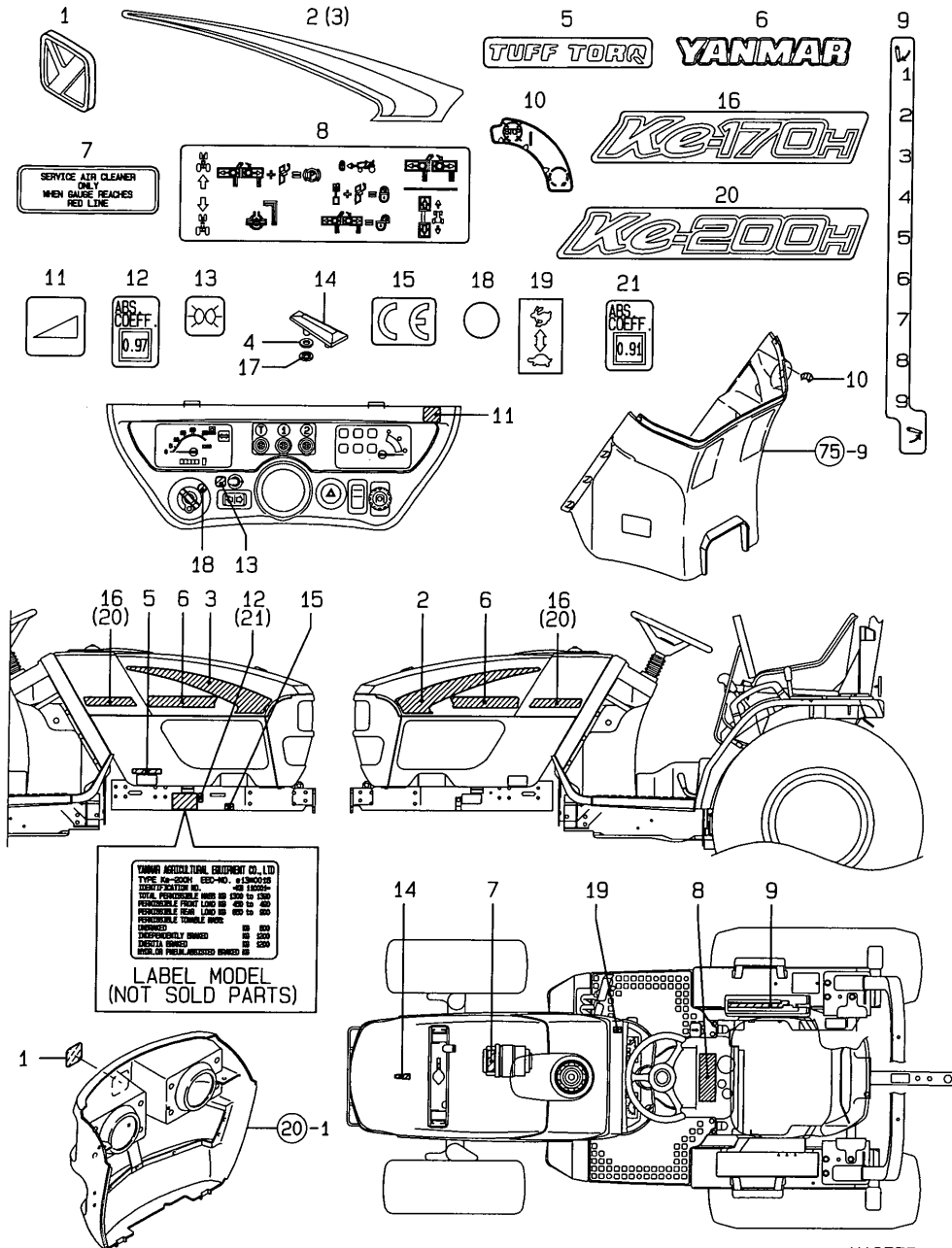
(A)=KE-170H
(B)=KE-200H
(C)=

(D)=
(E)=
(F)=

REF.	LEV.	PARTS NO.	DESCRIPTION	QTY						I	R
				(A)	(B)	(C)	(D)	(E)	(F)		
1	1	194205-63550	BREATHER, AIR	1	1						
2	1	198165-63900	BRACKET CMP	1	1						
3	1	198165-64810	BRACKET, KIT	1	1						
4	2	198165-52701	ARM	1	1						
5	2	198165-63981	PLATE	1	1						
6	2	198165-64701	PLATE, COMP	1	1						
7	2	198165-64751	BRACKET, COMP	1	1						
8	2	26013-080202	BOLT W/WASHER M8X20	1	1						
9	2	26716-080002	NUT M 8	1	1						
10	1	23065-090140	HOSE 9* 140	1	1						
11	1	23080-012000	CLAMP 12	2	2						
12	1	26013-100202	BOLT W/WASHER M10X20	1	1						
13	1	26013-100202	BOLT W/WASHER M10X20	2	2						
14	1	26016-080162	BOLT M 8X 16	1	1						
15	1	26018-080162	BOLT M 8X 16	1	1						
16	1	26018-080202	BOLT M 8X 20	1	1						
17	1	26018-080252	BOLT M8X 25	2	2						
18	1	26018-080252	BOLT M8X 25	2	2						

Fig.79. LABELS

79. LABELS



N135754

(A)=KE-170H
(B)=KE-200H
(C)=

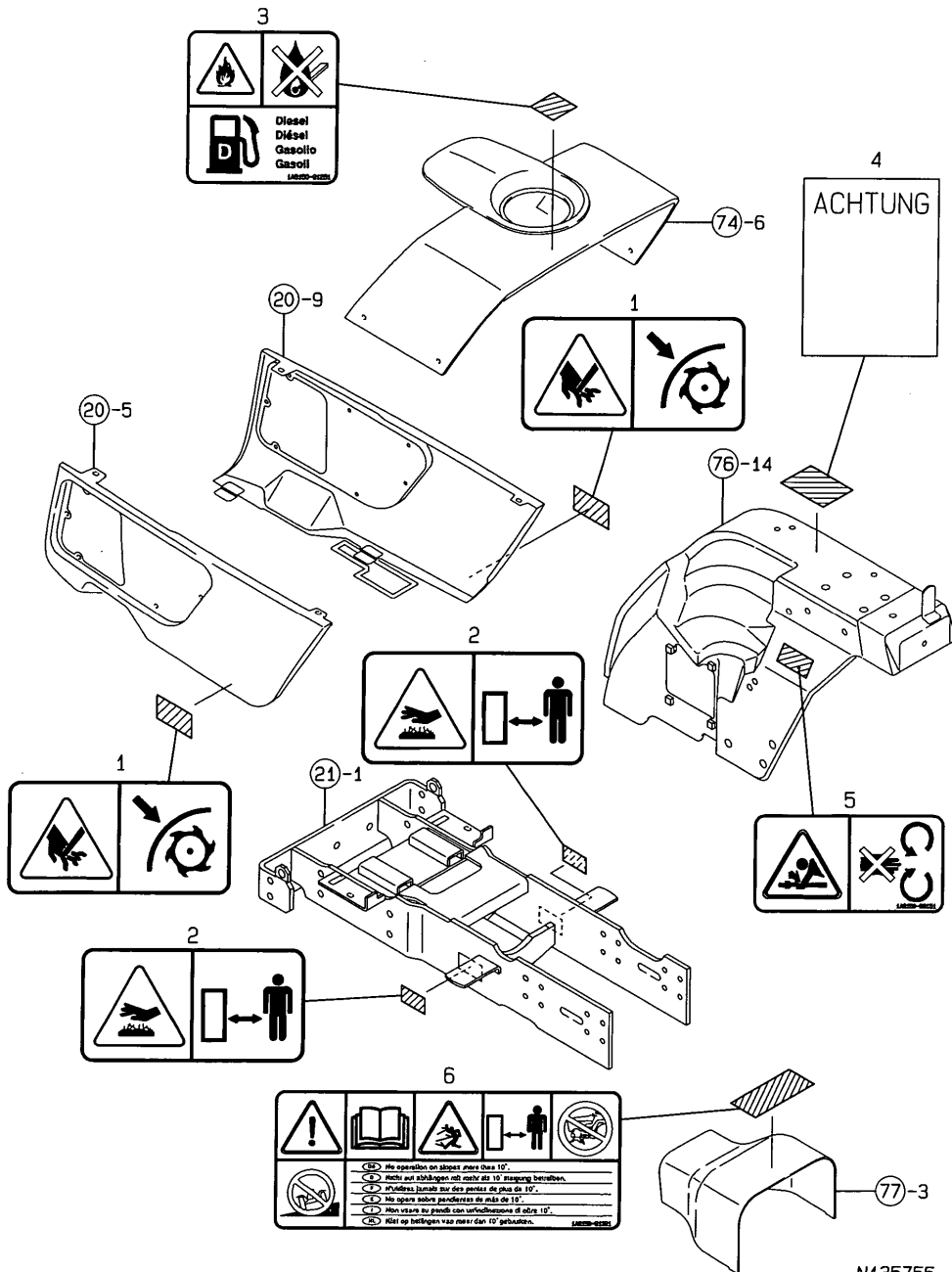
(D)=
(E)=
(F)=

REF.	LEV.	PARTS NO.	DESCRIPTION	QTY						I	R
				(A)	(B)	(C)	(D)	(E)	(F)		
1	1	198421-65030	MARK 50, YANMAR	1	1						
2	1	198162-65110	STRIPE L, SIDE	1	1						
3	1	198162-65120	STRIPE R, SIDE	1	1						
4	1	194555-65130	CUSHION	2	2						
5	1	198421-65160	LABEL TUFF TORQ	1	1						
6	1	194766-65170	MARK(YANMAR 280	2	2						
I	6-1	198162-65380	LABEL, YANMAR	2	2						N
		(A=*2003.04.) (B=*2003.04.)									
7	1	198165-65170	LABEL, AIR CLEANER	1	1						
8	1	1A6640-65220	LABEL, OPERATION	1	1						
9	1	198165-65470	LABEL, HYD. LEVER	1	1						
10	1	1A6640-65510	LABEL, KEY SWITCH	1	1						
11	1	1A6640-65530	LABEL, THROTTLE	1	1						
12	1	1A6630-65570	LABEL, SMOKE	1							
13	1	198165-65580	DECAL, P, SWITCH	1	1						
14	1	194940-65590	MARK, TOP	1	1						
15	1	198165-65590	DECAL, CE	1	1						
16	1	1A6630-65610	NAMEPLATE 170H, MODEL	2							
17	1	194200-65610	NUT 5	2	2						
18	1	1A6640-65660	SEAL	1	1						
19	1	198165-65690	DECAL,	1	1						
20	1	1A6640-65610	NAMEPLATE 200H, MODEL		2						
21	1	1A6640-65570	DECAL, SMOKE		1						

N:Old $\begin{matrix} \text{Yes} \\ \text{No} \end{matrix}$ New, Q:Old $\begin{matrix} \text{No} \\ \text{Yes} \end{matrix}$ New, R:Old $\begin{matrix} \text{Yes} \\ \text{Yes} \end{matrix}$ New, S:Old $\begin{matrix} \text{No} \\ \text{No} \end{matrix}$ New, W:Add, Z:Discontinued, F:Interchangeable by set, K:Qty Change

Fig.80. LABEL

80. LABEL



N135755

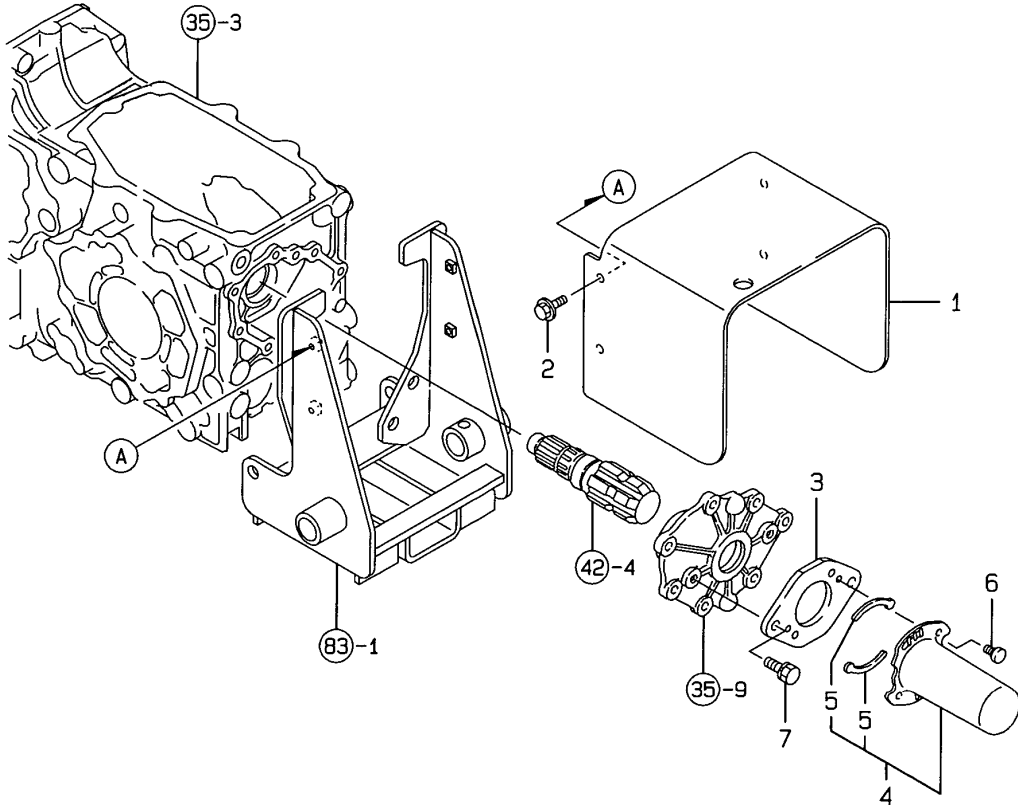
(A)=KE-170H
(B)=KE-200H
(C)=

(D)=
(E)=
(F)=

REF.	LEV.	PARTS NO.	DESCRIPTION	QTY						I	R
				(A)	(B)	(C)	(D)	(E)	(F)		
1	1	198163-65940	CAUTION,SAFETY COVER	2	2						
2	1	198163-65930	CAUTION,MUFFLER	2	2						
3	1	1A6150-91251	LABEL,RAKE CAUTION	1	1						
4	1	198223-65630	DECAL,PINCH	1	1						
5	1	1A6150-93151	LABEL,COVER	1	1						
6	1	1A6150-91321	LABEL,OPERAT.PROCED.	1	1						

Fig.81. PTO GUARD & SHAFT COVER

81. PTO GUARD & SHAFT COVER



OCNP3-G67600 81. PTO GUARD & SHAFT COVER

(A)=KE-170H
(B)=KE-200H
(C)=

(D)=
(E)=
(F)=

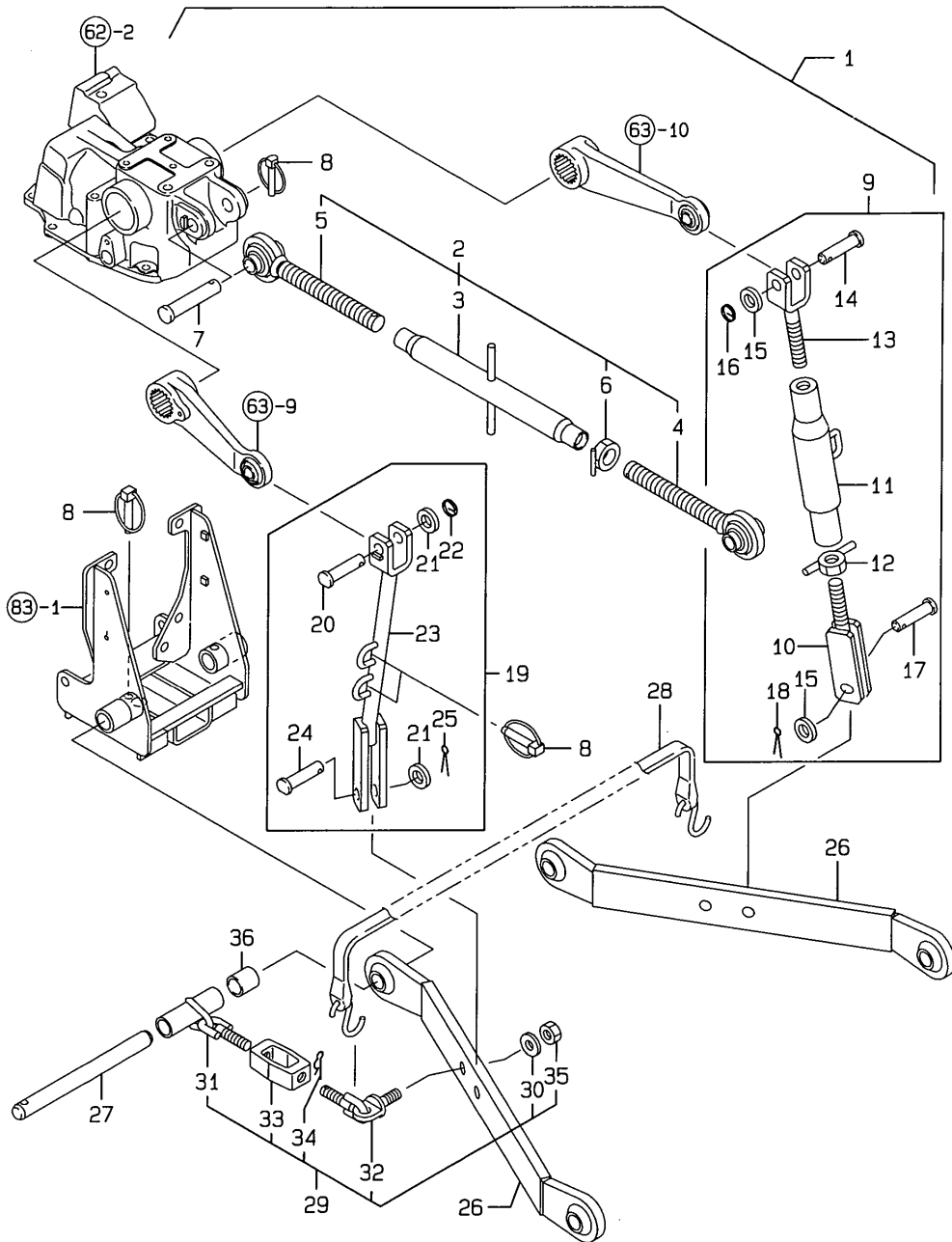
REF.	LEV.	PARTS NO.	DESCRIPTION	QTY						I	R
				(A)	(B)	(C)	(D)	(E)	(F)		
1	1	1A6640-75510	COVER,P.T.O.GUARD	1	1						
2	1	26018-060162	BOLT M6X16	4	4						
3	1	198165-24660	PLATE	1	1						
4	1	194850-26850	COVER ASSY, SHAFT	1	1						
5	2	194850-26870	SPRING, SHIFT COVER	2	2						
6	1	194250-32530	PIN, COVER HOOK	2	2						
7	1	26016-080202	BOLT M 8X 20	2	2						

Fig.82. THREE POINTS HITCH

(A)=KE-170H
(B)=KE-200H
(C)=

(D)=
(E)=
(F)=

82. THREE POINTS HITCH



REF.	LEV.	PARTS NO.	DESCRIPTION	QTY						I	R
				(A)	(B)	(C)	(D)	(E)	(F)		
1	1	198165-71101	THREE POINT KIT,ASSY	1	1						
2	2	198165-71110	LINK,ASSY UPPER	1	1						
3	3	198165-71140	TURNBUCKLE	1	1						
4	3	198165-71180	END R.H.,TOP LINK	1	1						
5	3	198165-71190	END L.H.,TOP LINK	1	1						
6	3	198165-71200	NUT, LOCK	1	1						
7	2	198165-71120	LINK PIN, UPPER	1	1						
8	2	198165-71130	PIN,CMP LINTCH	5	5						
9	2	198165-72111	LINK R,ASSY LIFT	1	1						
10	3	198165-72120	PLATE CMP,LINK	1	1						
11	3	198165-72130	TURNBUCKLE,CMP	1	1						
12	3	198165-72140	NUT, LOCK	1	1						
13	3	198165-72150	JOINT, CMP	1	1						
14	3	198165-72170	PIN, LIFT	1	1						
15	3	198165-72180	WASHER	2	2						
16	3	198165-72190	LINK	1	1						
17	3	198165-72250	PIN	1	1						
18	3	198165-72260	COTTER PIN	1	1						
19	2	198165-72211	LINK L,ASSY LIFT	1	1						
20	3	198165-72170	PIN, LIFT	1	1						
21	3	198165-72180	WASHER	2	2						
22	3	198165-72190	LINK	1	1						
23	3	198165-72220	PLATE,CMP LINK	1	1						
24	3	198165-72250	PIN	1	1						
25	3	198165-72260	COTTER PIN	1	1						
26	2	198165-73111	LINK,LOWER	2	2						
27	2	198165-73120	PIN HINGE,LOWER LINK	2	2						
28	2	198165-73310	STRAPP,LOWER LINK	1	1						
29	2	198165-74610	CHAIN,ASSY	2	2						
30	3	198165-72180	WASHER	2	2						
31	3	198165-74630	COLLAR,CMP	2	2						
32	3	198165-74640	ANKER,CMP	2	2						
33	3	198165-74650	TURNBUCKLE	2	2						
34	3	198165-74660	SNAP RING	2	2						
35	3	198165-74670	NUT	2	2						
36	2	198165-74620	COLLAR,HINGE PIN	2	2						

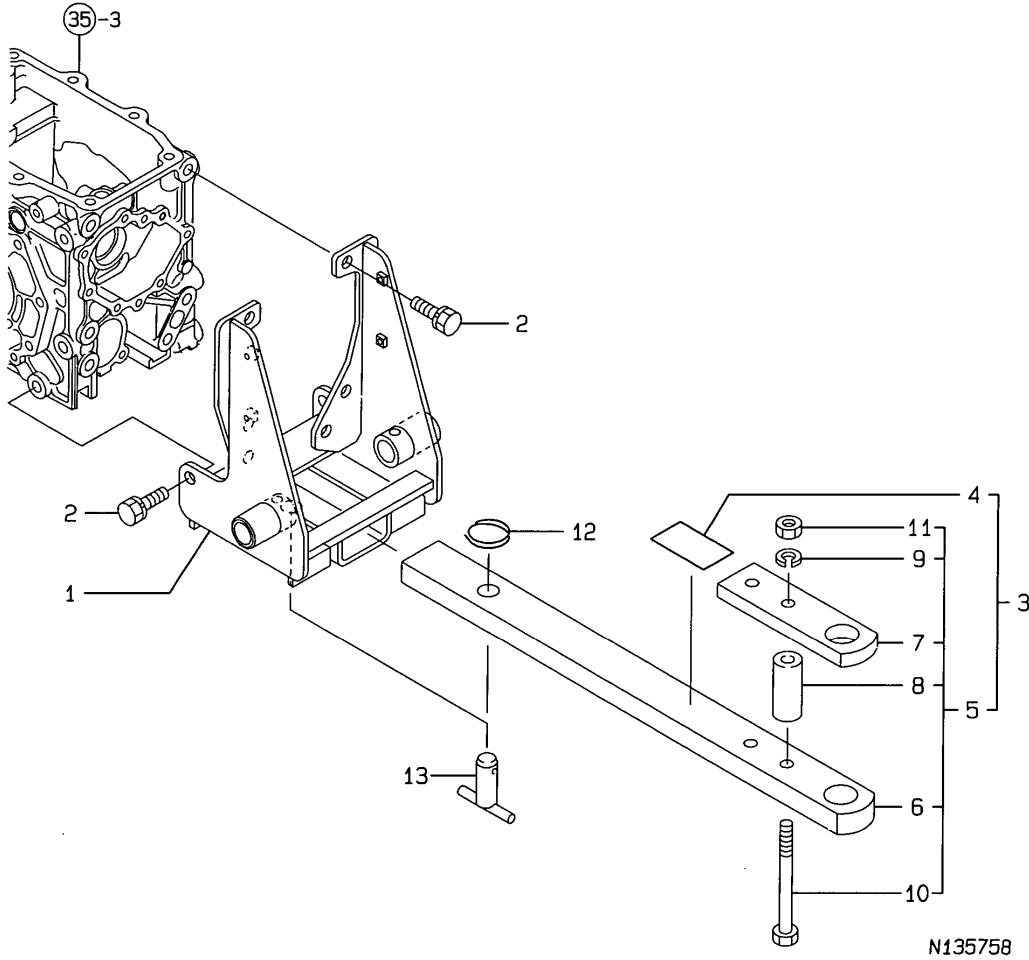
Fig.83. DRAW BAR HITCH

0CNP3-G67600 83. DRAW BAR HITCH

(A)=KE-170H
(B)=KE-200H
(C)=

(D)=
(E)=
(F)=

83. DRAW BAR HITCH



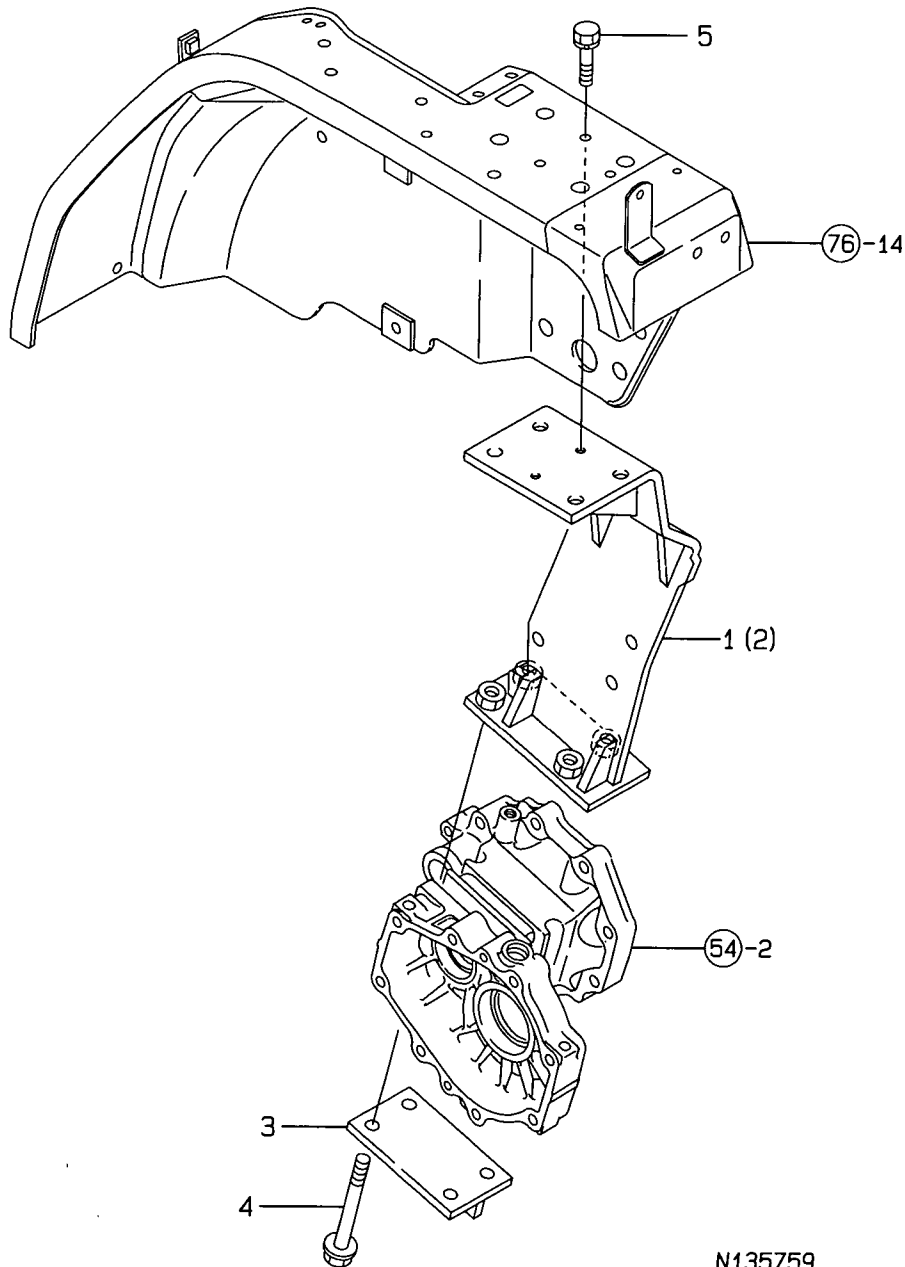
REF.	LEV.	PARTS NO.	DESCRIPTION	QTY						I	R
				(A)	(B)	(C)	(D)	(E)	(F)		
1	1	198165-75400	HITCH,CMP REAR	1	1						
2	1	26013-120302	BOLT W/WASHER M12X30	8	8						
3	1	1A6640-75100	DRAWBAR KIT	1	1						
4	2	1A6640-65410	LABEL,DRAWBAR	1	1						
5	2	198165-75200	DRAWBAR,COMP	1	1						
6	3	198165-75210	DRAWBAR	1	1						
7	3	198165-75250	CLEVIS (49)	1	1						
8	3	198165-75260	SPACER,CLEVIS (49)	2	2						
9	3	22217-120000	SPRING WASHER	2	2						
10	3	26116-121302	BOLT M12X130 PLATED	2	2						
11	3	26716-120002	NUT 12	2	2						
12	1	194145-75250	RING	1	1						
13	1	198165-75720	PIN,DRAW-BAR	1	1						

Fig.84. ROPS

84 . ROPS

(A)=KE-170H
(B)=KE-200H
(C)=

(D)=
(E)=
(F)=

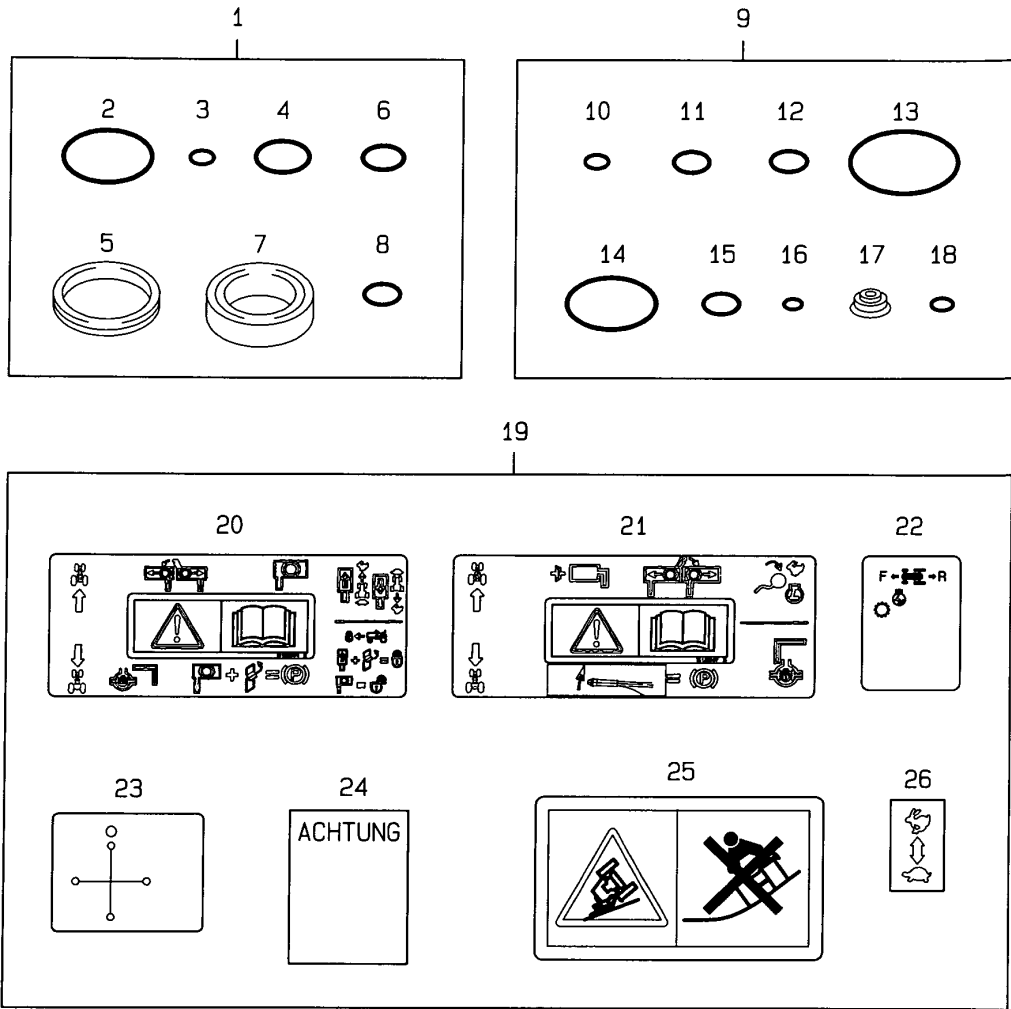


REF.	LEV.	PARTS NO.	DESCRIPTION	Q'TY						
				(A)	(B)	(C)	(D)	(E)	(F)	
1	1	1A6640-85200	FRAME L, LOWER	1	1					
2	1	1A6640-85250	FRAME R, LOWER	1	1					
3	1	198165-85300	PLATE,CMP LOWER	2	2					
4	1	198165-85950	BOLT M12X130 PLATED	8	8					
5	1	26016-080252	BOLT M 8X 25	4	4					

N135759

Fig.85. OPTION

85. OPTION



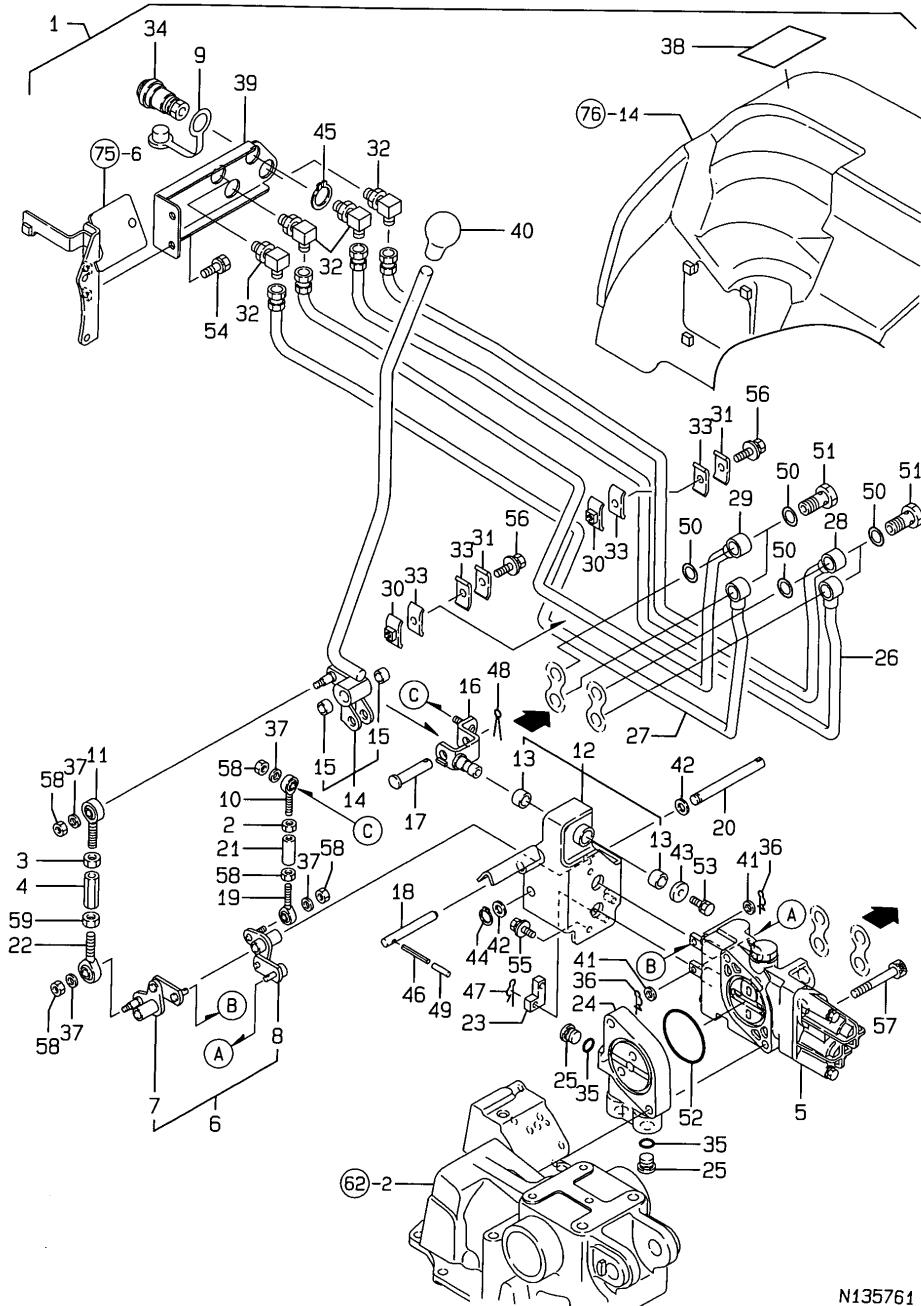
(A)=KE-170H
(B)=KE-200H
(C)=

(D)=
(E)=
(F)=

REF.	LEV.	PARTS NO.	DESCRIPTION	QTY						I	R	
				(A)	(B)	(C)	(D)	(E)	(F)			
I	1	1	198165-42450	SEAL SET	1	1						
I	2	2	198165-42390	O-RING 50	1	1						
I	3	2	198165-42420	O-RING 9	2	2						
I	4	2	198165-44160	O-RING	1	1						
I	5	2	198165-44220	RING,BACK-UP	1	1						
I	6	2	198165-44270	O-RING 17	1	1						
I	7	2	198165-44450	SEAL,354507 OIL	2	2						
I	8	2	198165-47250	O-RING	1	1						
I	9	1	198165-45950	SEAL SET	1	1						
I	10	2	198165-45220	O-RING 11.11	1	1						
I	11	2	198165-45240	O-RING 14	1	1						
I	12	2	198165-45250	O-RING 12.42	3	3						
I	13	2	198165-45320	O-RING 58.75	1	1						
I	14	2	198165-45330	O-RING 48.89	2	2						
I	15	2	198165-45410	O-RING 12.37	2	2						
I	16	2	198165-45420	O-RING 3.68	1	1						
I	17	2	198165-45520	COVER,RUBBER	1	1						
I	18	2	198165-45640	O-RING 8.73	1	1						
	19	1	198165-65150	DECAL KIT	1	1						
	20	2	198165-65220	LABEL,CONTROL G HM	1	1						
	21	2	198167-65240	DECAL,OPERATION	1	1						
	22	2	198165-65280	LABEL,SPPED	1	1						
	23	2	198220-65410	LABEL, SCV LEVER	1	1						
	24	2	198223-65630	DECAL,PINCH	1	1						
	25	2	198165-65640	DECAL,WARNING	1	1						
	26	2	198165-65690	DECAL,	1	1						

Fig.86. SUB BALVE

86. SUB VALVE



N135761

(A)=KE-170H
(B)=KE-200H
(C)=

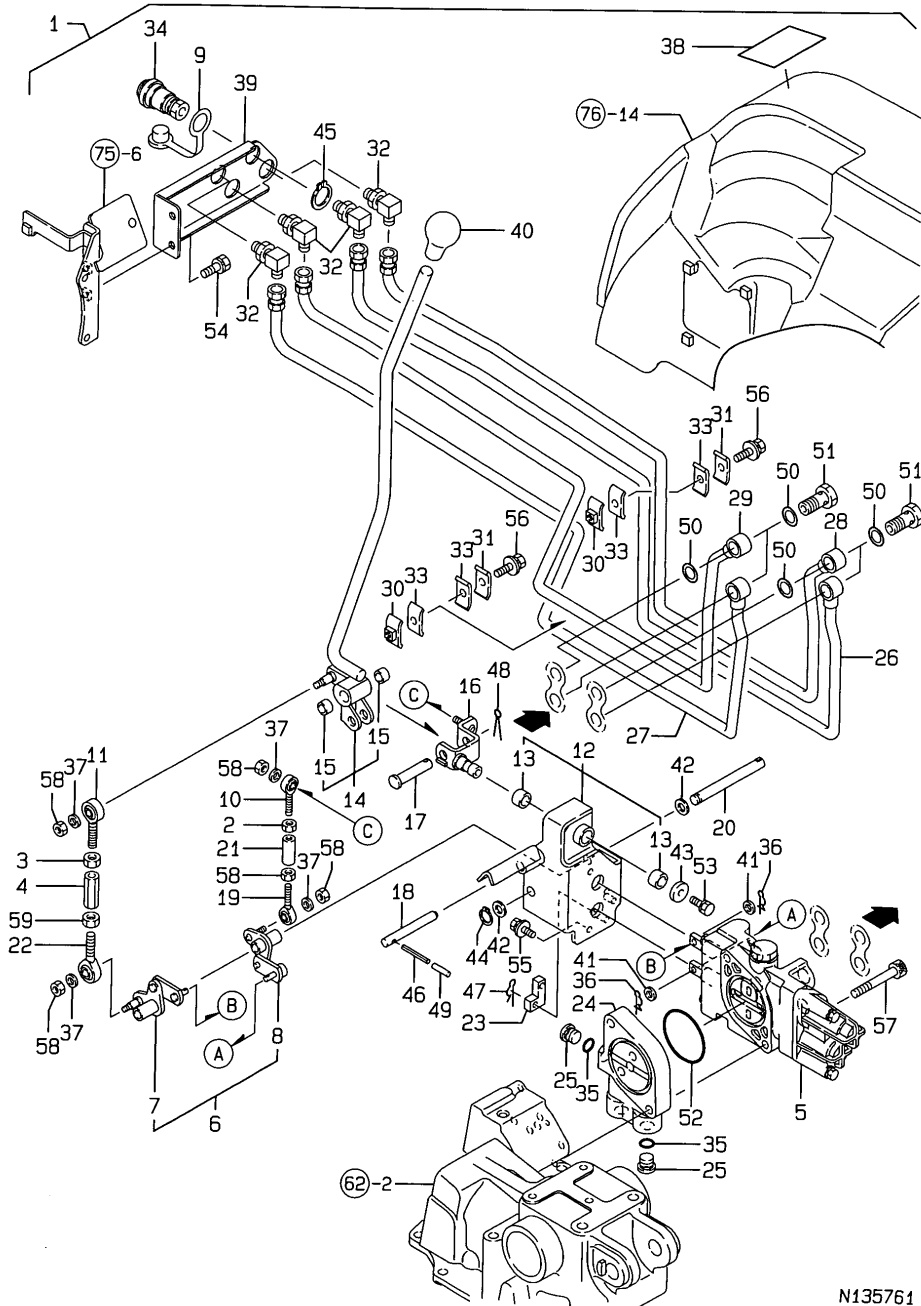
(D)=
(E)=
(F)=

REF.	LEV.	PARTS NO.	DESCRIPTION	QTY						I	R
				(A)	(B)	(C)	(D)	(E)	(F)		
1	1	1A6640-46000	SCV KIT	1	1						
2	2	194130-01390	NUT M6	1	1						
3	2	194990-20170	NUT W/WASHER 8	1	1						
4	2	192157-33780	NUT	1	1						
5	2	198165-46110	S.C.V, CMP	1	1						
6	2	198165-46250	SCV LINK KIT	1	1						
7	3	198165-46802	LINK	1	1						
8	3	198165-46852	LINK	1	1						
9	2	198223-46280	DUST PLUG	4	4						
10	2	198165-46470	ROD END 6	1	1						
11	2	198165-46480	ROD END 8	1	1						
12	2	198165-46490	HOLDER, LEVER	1	1						
13	3	24550-012100	BUSH 12X10	2	2						
14	2	198165-46591	LEVER, SCV	1	1						
15	3	24550-010100	BUSH 10X10, DRY	2	2						
16	2	198165-46651	LEVER, CMP B	1	1						
17	2	198165-46780	PIN, LEVER B	1	1						
18	2	1A6640-46840	PIN, LOCK	1	1						
19	2	198165-46880	ROD-END, 6	1	1						
20	2	198165-46910	SHAFT, LINK CAM	1	1						
21	2	198165-46961	ROD B, LINK	1	1						
22	2	198165-46980	ROD-END	1	1						
23	2	198165-46991	LINK, C	1	1						
24	2	198165-48550	PLATE, AUX	1	1						
25	2	198165-48560	PLUG, 9/16	3	3						
26	2	198165-48611	PIPE, SCV 1	1	1						
27	2	198165-48621	PIPE, SCV 2	1	1						
28	2	198165-48631	PIPE, SCV 3	1	1						
29	2	198165-48641	PIPE, SCV 4	1	1						
30	2	198165-48650	CLAMP A, SCV PIPE	2	2						
31	2	198165-48660	CLAMP B, SCV PIPE	2	2						
32	2	198165-48670	ELUBO, 1/4X9/16	4	4						
33	2	198165-48680	PAD, CLAMP RUBBER	4	4						
34	2	198165-48710	CAPULER, SVC QUICK	4	4						
35	2	194850-49290	PACKING 6-1	3	3						
36	2	1C6281-52310	PIN 6, COME-OFF SNAP	2	2						
37	2	1C6320-56150	ROLLER 6.5X10.5X3	4	4						
38	2	198220-65410	LABEL, SCV LEVER	1	1						
39	2	198165-48750	MAUNT, CAPULER	1	1						
40	2	194990-85561	KNOB	1	1						
41	2	22137-060000	WASHER 6, POLISHED	2	2						
42	2	22137-100000	WASHER 10, POLISHED	2	2						
43	2	22157-060000	WASHER 6	1	1						
44	2	22242-000100	CIRCLIP 10	1	1						
45	2	22242-000220	CIRCLIP 22	4	4						
46	2	22351-040040	SPRING PIN 4X40	1	1						
47	2	22372-060000	SNAP PIN 6	1	1						
48	2	22417-200160	COTTER PIN 2.0X16	1	1						
49	2	23062-040020	HOSE 4* 20	1	1						
50	2	23414-160021	GASKET 16	8	8						
51	2	23857-100000	JOINT BOLT 10	4	4						

N:Old $\begin{matrix} \text{Yes} \\ \text{No} \end{matrix}$ New, Q:Old $\begin{matrix} \text{No} \\ \text{Yes} \end{matrix}$ New, R:Old $\begin{matrix} \text{Yes} \\ \text{No} \end{matrix}$ New, S:Old $\begin{matrix} \text{No} \\ \text{Yes} \end{matrix}$ New, W:Add, Z:Discontinued, F:Interchangeable by set, K:Q'ty Change
++ CONTINUE ++

Fig.86. SUB BALVE

86. SUB VALVE



OCNP3-G67600 86. SUB BALVE

(A)=KE-170H
(B)=KE-200H
(C)=

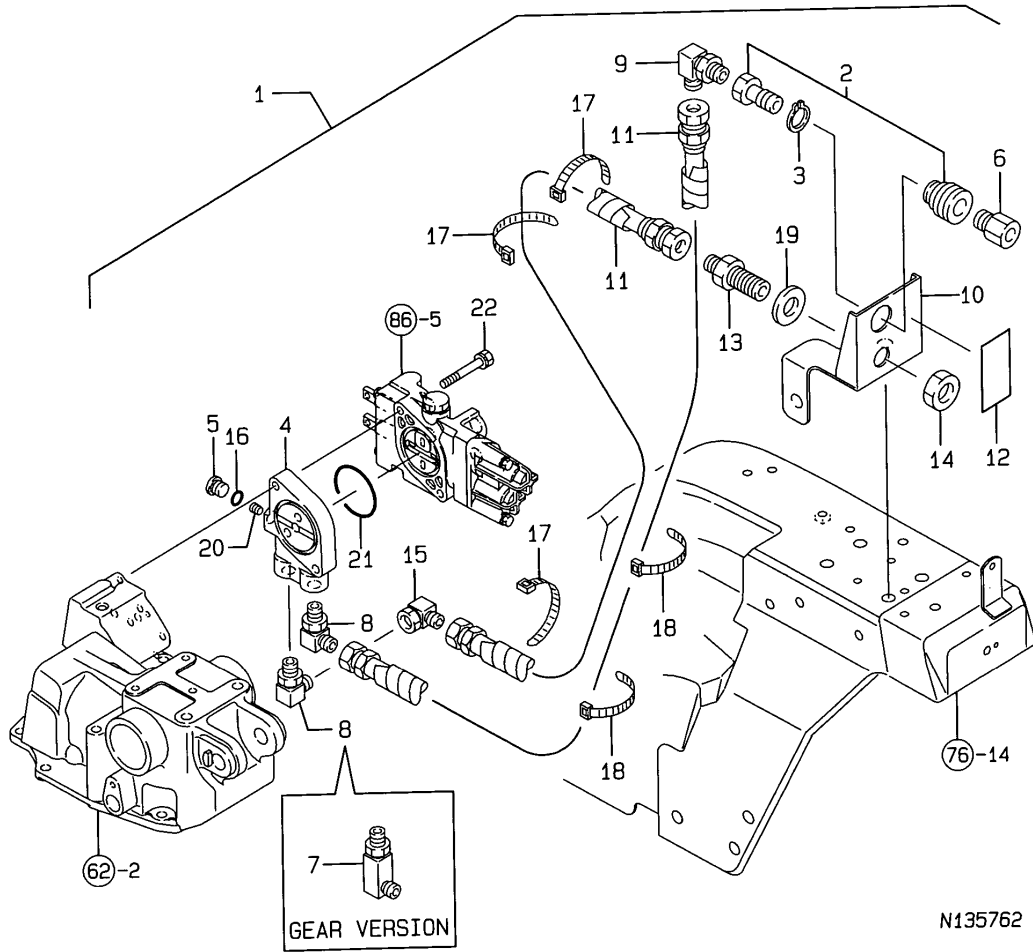
(D)=
(E)=
(F)=

REF.	LEV.	PARTS NO.	DESCRIPTION	Q'TY						I	R
				(A)	(B)	(C)	(D)	(E)	(F)		
52	2	24321-000550	O-RING 1A G-55.0	1	1						
53	2	26013-060162	BOLT M 6X 16	1	1						
54	2	26013-080162	BOLT W/WASHER M8X16	2	2						
55	2	26018-060162	BOLT M6X16	3	3						
56	2	26018-080352	BOLT M8X35	2	2						
57	2	26450-080652	BOLT M 8X 65	2	2						
58	2	26716-060002	NUT 6	5	5						
59	2	26716-080002	NUT M 8	1	1						

N135761

Fig.87. REAR HYDRAULIC

87. REAR HYDRAULIC



OCNP3-G67600 87. REAR HYDRAULIC

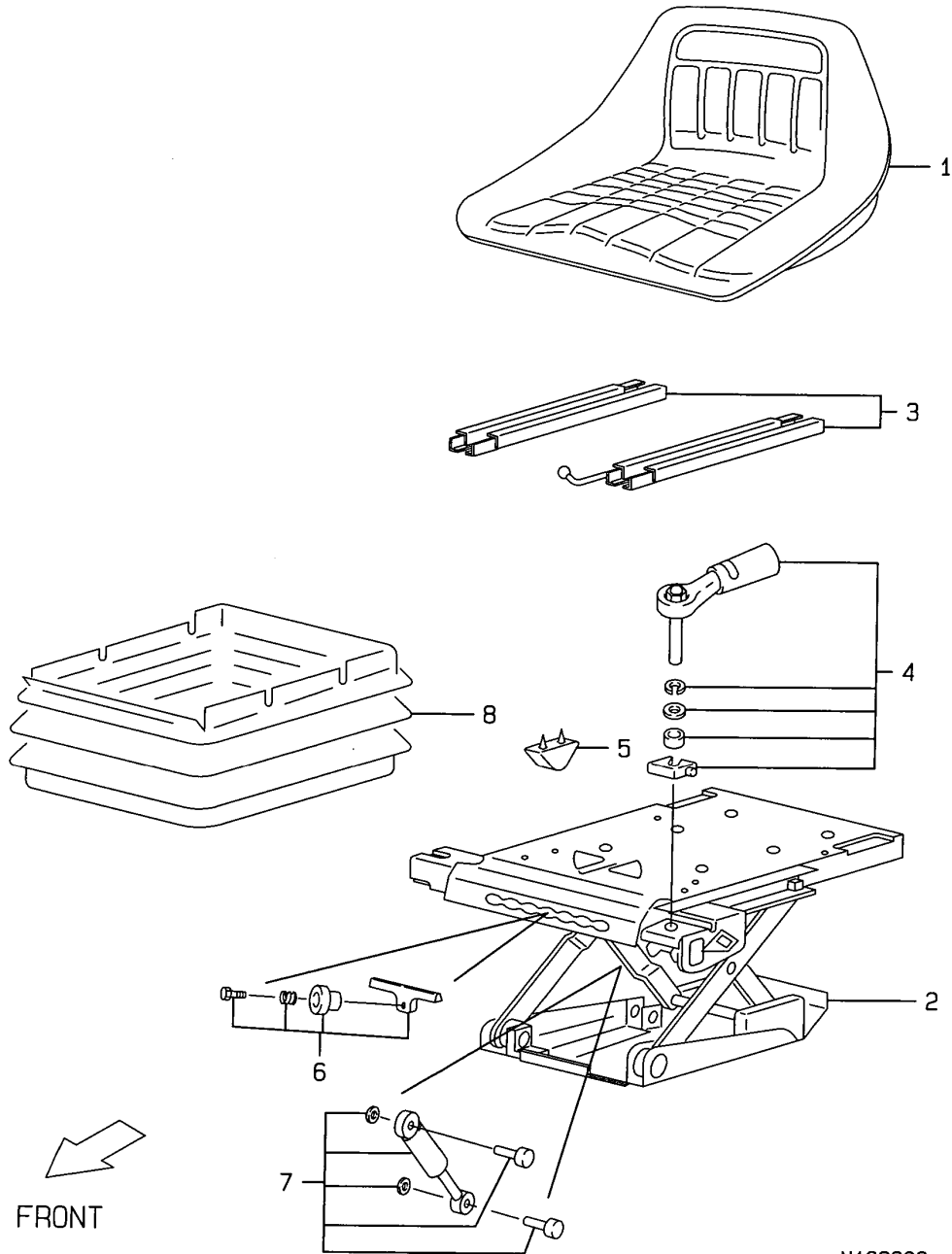
(A)=KE-170H
(B)=KE-200H
(C)=

(D)=
(E)=
(F)=

REF.	LEV.	PARTS NO.	DESCRIPTION	QTY						I	R
				(A)	(B)	(C)	(D)	(E)	(F)		
1	1	198165-48800	R.AUX HYDRO KIT	1	1						
2	2	198240-46250	HYD. QUICK COUPLER	1	1						
3	2	198240-46260	SNAP RING	1	1						
4	2	198165-48550	PLATE, AUX	1	1						
5	2	198165-48560	PLUG, 9/16	1	1						
6	2	198165-48820	HYD.QUICK COUPLER	1	1						
7	2	198165-48830	CONNECTOR	1	1						
8	2	198165-48840	CONNECTOR	2	2						
9	2	198165-48850	CONNECTOR	1	1						
10	2	198165-48870	BRACKET	1	1						
11	2	198165-48880	HOSE	2	2						
12	2	198165-48890	DECAL,R.AUX	1	1						
13	2	198165-48910	CONNECTOR	1	1						
14	2	198165-48920	NUT 13/16	1	1						
15	2	198165-48940	CONNECTOR	1	1						
16	2	194850-49290	PACKING 6-1	1	1						
17	2	194250-51660	BAND 250	3	3						
18	2	1E6102-84970	BAND 140,WIRE LOCK	2	2						
19	2	22137-200000	WASHER 20,POLISHED	1	1						
20	2	23871-010000	PLUG PT1/8,SCREW	1	1						
21	2	24321-000550	O-RING 1A G-55.0	1	1						
22	2	26013-080502	BOLT M 8X 50	2	2						

Fig.88. SEAT(PARTS OF FIELD SUPPLY

88. SEAT(PARTS OF FIELD SUPPLY



(A)=KE-170H
(B)=KE-200H
(C)=

(D)=
(E)=
(F)=

REF.	LEV.	PARTS NO.	DESCRIPTION	Q'TY						I	R
				(A)	(B)	(C)	(D)	(E)	(F)		
1	1	198174-63100	SEAT	1	1						
2	1	198174-63200	SUSPENDER CMP	1	1						
3	1	198174-63210	AJUSTER ;1	1	1						
4	1	198174-63220	AJUSTER ;2	1	1						
5	1	198174-63230	STOPPER	1	1						
6	1	198174-63240	AJUSTER ;3	1	1						
7	1	198174-63250	DANPER	1	1						
8	1	198174-63260	COVER ;SUSPENTION	1	1						

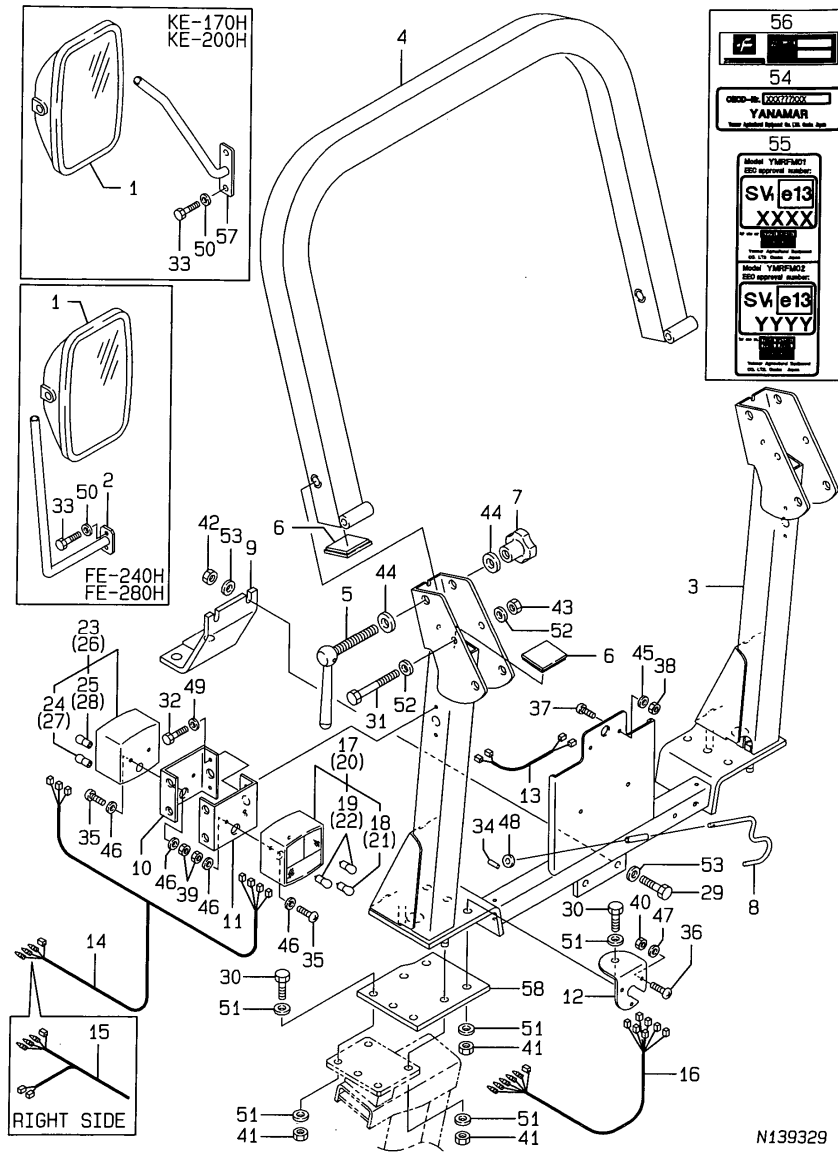
N139328

Fig.89. SAFETY FRAME(PARTS OF FIELD SU

(A)=KE-170H
(B)=KE-200H
(C)=

(D)=
(E)=
(F)=

89. SAFETY FRAME(PARTS OF FIED SUP



Remarks
(1)FOR MODEL FE-240H,280H
(2)FOR MODEL KE-170H,200H
(3)FOR LEFT SIDE LAMPS
(4)FOR RIGHT SIDE LAMPS

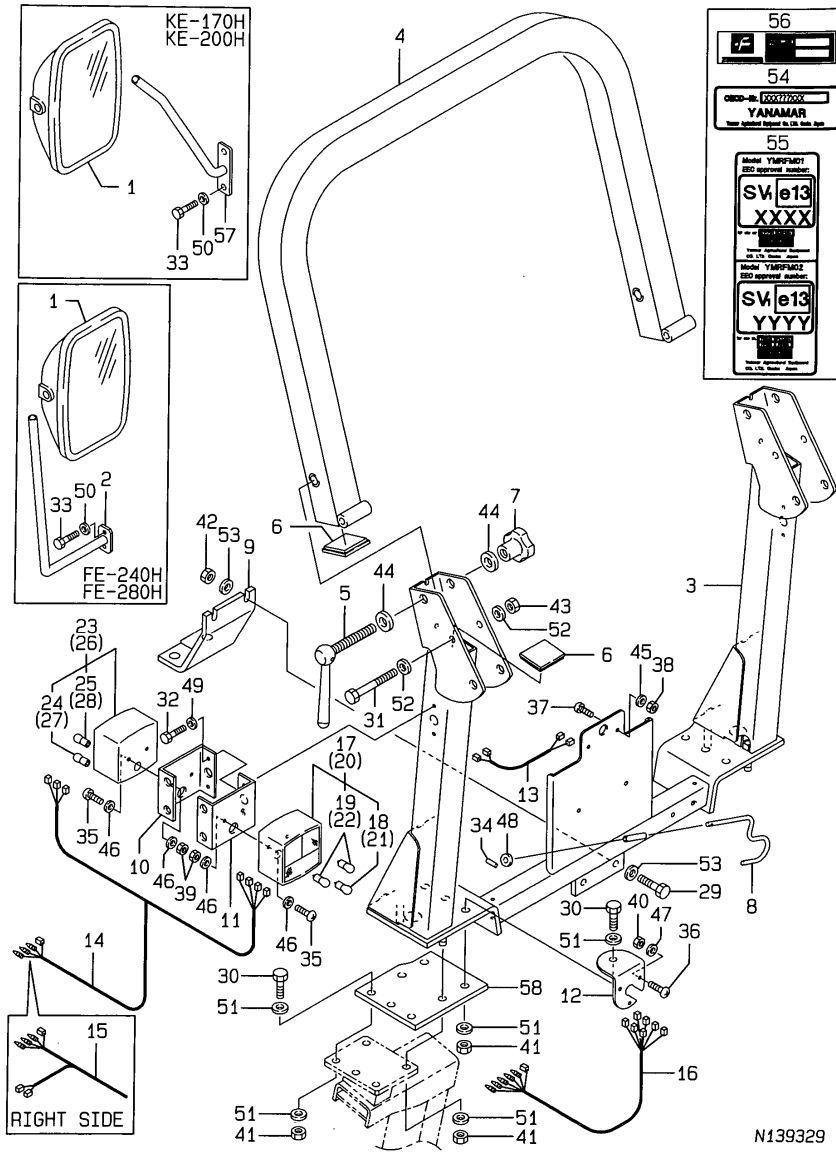
REF.	LEV.	PARTS NO.	DESCRIPTION	QTY						I	R
				(A)	(B)	(C)	(D)	(E)	(F)		
1	1	198174-64100	BACK MILLOR	1	1						
2	1	198174-64110	STAY ;BACK MILLOR	1	1						1
3	1	198174-85110	UPPER FRAME ; UNDER	1	1						
4	1	198174-85120	UPPER FRAME ; UPPER	1	1						
5	1	198174-85130	GRIP HANDOLL	2	2						
6	1	198174-85150	GROMEET 60X 60	4	4						
7	1	198174-85170	KNOB KU-80	2	2						
8	1	198174-85210	HOOK	1	1						
9	1	198174-85220	HOLDER	1	1						
10	1	198174-85270	LAMP PLATE ; LEFT	2	2						
11	1	198174-85280	LAMP PLATE ; RIGHT	2	2						
12	1	198174-85290	LAMP PLATE	1	1						
13	1	198174-85510	WIRE HARNESS ;1	1	1						
14	1	198174-85520	WIRE HARNESS ;2	1	1						
15	1	198174-85530	WIRE HARNESS ;3	1	1						
16	1	198174-85550	WIRE HARNESS ;4	1	1						
17	1	198174-85610	LAMP (A) ;LEFT	1	1						3
18	2	198174-85660	LAMP 10W-12V	1	1						3
19	2	198174-85670	LAMP 21W-12V	2	2						3
20	1	198174-85620	LAMP (A) ;RIGHT	1	1						4
21	2	198174-85660	LAMP 10W-12V	1	1						4
22	2	198174-85670	LAMP 21W-12V	2	2						4
23	1	198174-85630	LAMP (B) ;LEFT	1	1						3
24	2	198174-85660	LAMP 10W-12V	1	1						3
25	2	198174-85670	LAMP 21W-12V	1	1						3
26	1	198174-85640	LAMP (B) ;RIGHT	1	1						4
27	2	198174-85660	LAMP 10W-12V	1	1						4
28	2	198174-85670	LAMP 21W-12V	1	1						4
29	1	198174-85710	BOLT 12X 35	2	2						
30	1	198174-85720	BOLT 12X 40	10	10						
31	1	198174-85730	BOLT 12X100	2	2						
32	1	198174-85740	BOLT 6X 25	4	4						
33	1	198174-85740	BOLT 6X 25	2	2						
34	1	198174-85760	PIN 3X 12	1	1						
35	1	198174-85770	SCREW 5X 20	8	8						
36	1	198174-85780	SCREW 5X 35	3	3						
37	1	198174-85790	SCREW 4X 16	2	2						
38	1	198174-85810	NUT 4	2	2						
39	1	198174-85820	NUT 5	8	8						
40	1	198174-85820	NUT 5	3	3						
41	1	198174-85830	NUT 12	14	14						
42	1	198174-85830	NUT 12	2	2						
43	1	198174-85840	NUT 12	2	2						
44	1	198174-85850	WASHER 16	4	4						
45	1	198174-85860	WASHER 4	2	2						
46	1	198174-85870	WASHER 5	16	16						
47	1	198174-85870	WASHER 5	3	3						
48	1	198174-85880	WASHER 6	1	1						
49	1	198174-85880	WASHER 6	4	4						
50	1	198174-85880	WASHER 6	2	2						
51	1	198174-85890	WASHER 12	20	20						

Fig.89. SAFETY FRAME(PARTS OF FIELD SU

(A)=KE-170H
(B)=KE-200H
(C)=

(D)=
(E)=
(F)=

89. SAFETY FRAME(PARTS OF FIED SUP



REF.	LEV.	PARTS NO.	DESCRIPTION	QTY						I	R
				(A)	(B)	(C)	(D)	(E)	(F)		
52	1	198174-85890	WASHER 12	4	4						
53	1	198174-85890	WASHER 12	4	4						
54	1	198174-85910	LABEL ;OECD	1	1						
55	1	198174-85920	LABEL ;EEC	1	1						
56	1	198174-85930	LABEL ;SERIAL	1	1						
57	1	198174-64130	STAY ;BACK MILLOR	1	1						2
58	1	198174-85250	PLATE	2	2						

Remarks

- (1)FOR MODEL FE-240H,280H
- (2)FOR MODEL KE-170H,200H
- (3)FOR LEFT SIDE LAMPS
- (4)FOR RIGHT SIDE LAMPS

Part Number Index

All parts are stipulated in the order of part numbers.

(Depending on the area in which the part is used.)

This index will display the location of the part according to each part number.

PARTS No. INDEX

PARTS No.	Fig.	Ref.No.
101304-59020	14	2
102103-55520	19	12
104200-55321	19	15
104200-55330	19	16
104200-55750	19	18
104211-11370	4	25
104264-59030	14	3
		6
104500-55710	19	20
105010-11230	4	40
		44
105025-59550	13	42
105027-12570	5	18
105225-21501	8	16
105225-23200	8	46
105546-51330	11	25
105582-59150	14	7
106430-59560	14	5
110250-55610	19	13
114250-53130	13	11
114250-53400	13	13
114350-22301	8	39
118400-03060	4	59
119131-18320	6	10
119209-35030	9	30
119232-61510	12	28
119232-61540	12	49
119233-12700	5	20
119247-77100	73	9
119255-53100	13	7
119260-07900	4	68
119260-34810	9	14
119260-59520	13	40
119260-59530	13	41
119285-66080	12	52
119305-35150	9	17
119462-55620	19	10
119462-59190	14	9
119600-01050	1	9
119600-01722	3	8
119600-11450	4	28
		31
119600-11460	4	29
		32
119600-35081	9	29
119600-61100	12	4
119600-61200	12	5
119600-61541	12	43
119600-61900	12	50
119600-66840	12	71

PARTS No.	Fig.	Ref.No.
119610-66700	12	86
119620-01200	1	27
119620-01343	1	28
119620-01620	3	17
119620-01800	2	4
119620-02020	1	10
119620-02450	7	4
119620-03020	4	54
119620-03031	4	55
119620-11100	4	16
119620-11110	4	18
119620-11120	4	20
119620-11180	4	21
119620-11200	4	33
119620-11240	4	34
119620-11260	4	37
119620-11280	4	38
119620-11310	4	58
119620-11350	4	49
119620-11801	4	11
119620-13110	6	2
119620-14100	7	7
119620-14200	7	1
119620-14401	7	2
119620-21941	8	14
119620-22090	8	24
119620-22300	8	38
119620-22900	8	49
119620-22950	8	53
119620-23910	8	44
119620-25102	7	11
119620-25912	7	13
119620-42020	10	12
119620-42320	10	10
119620-51101	11	4
119620-51170	11	7
119620-51180	11	8
119620-51190	11	9
119620-51250	11	10
119620-51300	11	22
119620-51340	11	26
119620-51350	11	27
119620-51370	11	28
119620-51450	11	29
119620-51461	11	30
119620-51510	11	32
119620-51650	11	34
119620-51660	11	35
119620-51670	11	36
119620-51680	11	37

PARTS No.	Fig.	Ref.No.
119620-51700	11	38
119620-53000	13	3
119620-53080	13	6
119620-53120	13	10
119620-53140	13	12
119620-59700	13	44
119620-59811	13	25
119620-59821	13	29
119620-59831	13	33
119620-77201	16	2
119620-77380	16	4
119620-77421	16	8
119620-77440	16	13
119620-77450	16	14
119620-77461	16	15
119620-77471	16	16
119620-77480	16	20
119620-77490	16	29
119620-77710	16	17
119620-79200	16	9
119620-79210	16	10
119620-79220	16	11
119620-79230	16	12
119620-79240	16	5
119620-79250	16	6
119620-79260	16	18
119620-79270	16	19
119620-79280	16	21
119620-79290	16	22
119620-79300	16	23
119620-79310	16	24
119620-79320	16	25
119620-79330	16	26
119620-79340	16	27
119620-79350	16	28
119620-79360	16	7
119621-21680	8	13
119621-42003	10	1
119623-01330	1	29
119623-01950	2	28
119623-11100	4	17
119623-21700	8	2
119623-22500	8	29
119623-22900	8	50
119623-22950	8	54
119624-02410	1	25
119624-32040	2	7
119626-01600	3	1
119626-11000	4	5
119626-13100	6	1

PARTS No.	Fig.	Ref.No.
119626-13510	6	6
119626-21580	8	18
119626-21700	8	23
119626-26690	7	38
119626-34810	9	33
119626-44510	10	24
119626-44600	10	25
119626-44741	10	17
119626-55690	19	14
119626-66050	12	61
119626-77011	15	4
119626-77330	16	31
119626-77900	15	2
119626-77910	15	3
119629-14580	7	3
119629-49070	17	9
119629-49080	17	10
119632-61200	12	14
119642-42350	10	16
119644-21200	8	8
119645-66020	12	60
119645-77820	4	66
119650-01770	3	10
119650-13620	17	2
119650-26001	7	27
119650-59010	14	1
119650-77902	73	10
119650-77910	73	11
119650-77930	73	13
119652-12550	5	5
119652-12601	5	6
119652-21590	8	17
119653-21660	8	12
119653-59540	13	37
119653-66500	12	81
119654-42290	10	15
119655-12560	5	17
119657-11350	4	52
119660-01492	2	17
119660-01510	2	20
119660-01551	2	23
119660-01562	2	24
119660-01570	2	25
119660-01590	2	1
119660-01640	3	4
119660-01821	7	17
119660-01911	2	5
119660-11120	4	19
119660-12101	5	1
119660-12111	5	2

PARTS No. INDEX

PARTS No.	Fig.	Ref.No.
119660-21651	8	11
119660-21710	8	1
119660-25022	7	9
119660-25052	7	10
119660-32001	9	1
119660-32020	9	11
119660-35102	9	15
119660-35113	9	16
119660-35300	9	18
119660-49530	10	20
119660-51500	11	31
119660-51530	11	33
119660-52020	2	27
119660-61052	12	18
119660-61060	12	2
119660-61071	12	3
119660-61121	12	11
119660-61140	12	12
119660-61150	12	13
119660-61300	12	9
119660-61341	12	10
119660-61460	12	19
119660-61491	12	27
119660-61651	12	44
119660-61901	12	51
119668-12510	5	14
119668-12520	5	15
119668-26010	7	32
119687-22080	8	25
119807-11770	4	53
119808-12540	5	16
119810-55340	19	17
119865-12600	5	7
121250-44901	10	29
121450-01560	2	21
121450-42450	10	28
121454-44590	17	17
121465-59950	12	74
121520-01851	2	26
121575-66830	12	70
121750-59090	13	38
124060-21600	8	22
124064-55510	19	11
124066-59100	13	39
124085-02220	3	6
124160-01650	4	62
124160-01751	2	15
124160-11340	4	23
124160-11360	4	63
124160-39450	9	32

PARTS No.	Fig.	Ref.No.
124160-77020	68	15
124190-34801	9	13
124240-01883	7	31
124465-44950	10	30
		31
124550-59820	13	45
124550-66370	12	62
124732-59562	13	43
124766-59050	14	4
124950-11340	4	24
129052-77920	73	12
129100-01580	3	16
	8	3
129100-61930	12	59
129107-13540	6	7
129107-44590	17	4
129150-35350	9	26
129150-49080	17	8
129150-59120	13	20
129150-59131	13	23
129150-91400	2	36
129155-51280	12	15
129155-61480	12	22
129155-61830	13	2
129155-77801	4	65
129350-26490	7	29
129350-49541	10	21
129350-49800	10	22
171056-49120	10	32
171350-61450	12	63
171353-44760	10	18
172026-81740	74	35
174307-51700	12	29
178070-10401	7	32 A
192152-26820	40	7
192153-25140	56	2
192154-24670	50	8
192154-29610	49	10
192154-29640	49	11
192154-29700	49	12
192157-24570	50	7
192157-24690	50	1
192157-24750	50	3
192157-24760	36	19
192157-24770	36	20
192157-24780	36	21
192157-24801	36	5
192157-24850	52	23
192157-24950	36	24
192157-25020	52	24

PARTS No.	Fig.	Ref.No.
192157-25040	52	25
192157-25210	52	6
192157-25220	52	7
192157-26440	51	1
192157-26450	51	9
192157-26460	51	2
192157-26470	51	3
192157-26520	51	5
192157-26600	36	27
192157-26610	36	26
192157-26640	36	28
192157-26740	51	6
192157-27510	49	6
192157-27520	49	7
192157-27550	49	8
192157-27600	49	9
192157-33780	86	4
192159-27700	36	29
192159-27780	36	30
192167-25310	40	1
194080-37781	58	8
		17
	61	21
194130-01390	86	2
194136-12880	30	7
	57	7
194145-61640	75	12
194145-75250	83	12
194150-01370	18	7
194150-45320	65	22
194150-47621	66	13
194151-36670	28	7
	34	6
194151-47760	18	8
194151-57210	73	7
194170-45212	64	20
194170-45220	64	11
194170-45230	64	18
194170-45310	64	4
194170-45321	64	27
194170-45350	64	29
194170-45360	64	30
194170-45370	64	31
194170-45430	64	22
194170-45440	64	32
194170-45550	64	12
194170-45560	64	13
194170-45610	65	2
194180-25930	49	5
194195-45620	65	3

PARTS No.	Fig.	Ref.No.
194195-45640	65	5
194195-45650	65	6
194195-46260	65	8
194197-21170	35	1
194197-27681	46	9
	47	2
	48	1
194200-65610	79	17
194205-42280	62	20
194205-63550	78	1
194208-47530	66	11
194215-12341	22	4
	32	1
194250-32530	36	33
	81	6
194250-51660	68	14
	87	17
194274-13570	21	3
194300-13340	32	4
		7
194300-21460	34	4
194300-25100	34	17
194300-31560	53	7
194300-31570	53	8
194300-31620	53	9
194300-37570	61	10
	76	6
194305-24970	36	59
194305-25160	37	2
194306-13140	42	1
194310-46350	62	11
194310-46380	62	12
194310-46730	62	13
194310-61610	76	10
194311-28230	48	4
194312-46630	65	15
194312-46750	35	14
194312-51220	68	5
194314-11880	28	1
194314-12720	28	2
194322-24980	36	60
194330-62530	77	12
194361-25681	40	2
194405-83910	41	30
194420-27810	47	8
194420-62260	73	8
194440-51620	68	13
194447-13490	25	5
194447-13860	23	2
	56	1

PARTS No. INDEX

PARTS No.	Fig.	Ref.No.
194464-01190	18	5
	48	23
194505-25600	41	3
194516-13770	26	9
	56	6
194516-13780	26	11
	56	7
194521-41570	7	32 B
194555-46640	65	16
194555-65130	79	4
194555-77910	35	15
194630-43230	62	21
194640-25390	41	2
194640-46410	65	26
194640-46420	65	27
194670-25370	26	25
194681-14750	57	2
		11
194681-14760	57	3
		12
194681-14770	57	4
		13
194740-00322	61	1
194766-65170	79	6
194802-22250	24	6
194802-22260	24	7
194802-22270	24	8
194802-62310	75	18
194850-13660	25	7
194850-24990	35	13
194850-26390	42	6
194850-26710	44	8
194850-26720	44	9
194850-26850	43	6
	81	4
194850-26870	43	7
	81	5
194850-42180	62	7
194850-42190	62	8
194850-45330	64	28
194850-45700	65	7
194850-49230	65	9
194850-49290	70	2
	86	35
	87	16
194855-24020	25	10
	35	2
	49	1
	54	1
194855-24150	42	3

PARTS No.	Fig.	Ref.No.
194855-24290	36	2
194856-25330	39	1
194940-45520	64	33
194940-52150	70	5
194940-65590	79	14
194990-20170	61	3
	86	3
194990-22040	68	2
194990-22050	2	10
	12	1
	68	3
194990-22130	20	14
	74	1
		2
	76	1
194990-22140	76	2
		3
194990-85561	86	40
195450-13140	36	1
198129-24930	36	58
198136-27950	58	14
198153-51700	70	31 -1
198162-00640	17	5
198162-52110	70	4
198162-52150	70	8
198162-61370	74	11
198162-61410	74	13
198162-61670	75	14
198162-62630	76	19
	77	13
198162-65110	79	2
198162-65120	79	3
198162-65380	79	6 -1
198163-65930	80	2
198163-65940	80	1
198164-15750	31	1
198164-15760	31	4
198164-15770	31	5
198164-15780	31	2
198164-15790	31	3
198164-17450	31	11
198164-29040	50	10
198164-29050	50	11
198165-00600	17	3
198165-00680	17	12
198165-00720	17	13
198165-00950	17	16
198165-01110	18	1
198165-01130	18	3
198165-01150	18	4

PARTS No.	Fig.	Ref.No.
198165-04110	19	1
198165-04140	19	3
198165-04311	19	4
198165-04350	19	5
198165-04370	19	6
198165-04380	19	7
	69	1
198165-04410	19	27
198165-04420	19	28
198165-04430	19	29
198165-04440	19	31
198165-04460	19	32
198165-11350	26	1
198165-11360	21	2
198165-11500	21	4
198165-11510	21	5
198165-11540	21	6
198165-12310	22	1
198165-12320	32	3
198165-12420	32	6
198165-13100	23	5
198165-13120	23	1
198165-13310	24	1
198165-13320	24	2
198165-13350	24	3
198165-13511	25	1
198165-13521	25	2
198165-13531	25	3
	26	24
198165-13600	25	6
198165-13620	25	8
198165-13630	25	9
198165-13650	34	1
198165-13700	26	2
198165-13730	26	5
198165-13740	26	6
198165-13750	26	7
198165-13760	26	8
198165-13770	26	10
198165-13814	26	3
198165-13815	26	27
198165-13840	26	4
198165-13910	27	1
198165-13920	27	2
198165-14120	28	4
198165-14130	28	5
198165-14140	28	6
198165-14610	24	5
198165-14620	29	1
198165-14630	29	3

PARTS No.	Fig.	Ref.No.
198165-14860	30	3
		12
198165-14870	30	5
		14
198165-14890	30	9
198165-17310	31	8
198165-17350	31	7 A
198165-17411	31	9
198165-17421	31	10
198165-17461	31	12
198165-17470	31	14
198165-17481	31	15
198165-17501	31	16
198165-17540	32	2
198165-17711	32	9
198165-17731	33	3
198165-17741	33	4
198165-17751	33	5
198165-17781	32	10
198165-17790	33	6
198165-21490	34	5
198165-24120	35	9
198165-24160	35	11
198165-24440	25	11
	26	13
	36	16
198165-24490	25	12
	26	14
	36	17
198165-24660	81	3
198165-25810	39	6
198165-25840	39	7
198165-25851	35	4
198165-25870	35	5
198165-26150	41	4
198165-26180	41	7
198165-26190	41	8
198165-26210	41	12
198165-26220	42	4
198165-26230	42	5
198165-26240	41	16
198165-26270	41	19
198165-26400	43	2
198165-26410	43	3
198165-26420	43	4
198165-26490	43	5
198165-27750	47	5
198165-27820	47	10
198165-28240	48	5
198165-28330	48	12

PARTS No. INDEX

PARTS No.	Fig.	Ref.No.
198165-31400	53	2
198165-32311	53	14
198165-32320	53	15
198165-32610	54	2
198165-32620	54	3
198165-32630	54	4
198165-32640	54	5
198165-33120	55	2
198165-33410	56	3
198165-33420	56	4
198165-33510	56	5
198165-34110	56	8
198165-34140	56	9
198165-34800	57	9
198165-36330	60	3
198165-36430	60	10
198165-37340	61	5
198165-37681	61	13
198165-37690	61	15
198165-37760	61	19
198165-37770	61	20
198165-37840	61	23
198165-42120	62	6
198165-42390	85	2
198165-42420	85	3
198165-42450	85	1
198165-44160	85	4
198165-44220	85	5
198165-44270	85	6
198165-44450	85	7
198165-45220	85	10
198165-45240	85	11
198165-45250	85	12
198165-45320	85	13
198165-45330	85	14
198165-45410	85	15
198165-45420	85	16
198165-45520	85	17
198165-45640	85	18
198165-45950	85	9
198165-46110	86	5
198165-46250	86	6
198165-46470	86	10
198165-46480	86	11
198165-46490	86	12
198165-46591	86	14
198165-46651	86	16
198165-46780	86	17
198165-46802	86	7
198165-46852	86	8

PARTS No.	Fig.	Ref.No.
198165-46880	86	19
198165-46910	86	20
198165-46961	86	21
198165-46980	86	22
198165-46991	86	23
198165-47250	85	8
198165-47360	66	5
198165-47710	76	7
198165-47750	76	8
198165-47760	76	9
198165-48270	67	4
	68	4
198165-48550	86	24
	87	4
198165-48560	86	25
	87	5
198165-48611	86	26
198165-48621	86	27
198165-48631	86	28
198165-48641	86	29
198165-48650	86	30
198165-48660	86	31
198165-48670	86	32
198165-48680	86	33
198165-48710	86	34
198165-48750	86	39
198165-48800	87	1
198165-48820	87	6
198165-48830	87	7
198165-48840	87	8
198165-48850	87	9
198165-48870	87	10
198165-48880	87	11
198165-48890	87	12
198165-48910	87	13
198165-48920	87	14
198165-48940	87	15
198165-50110	70	3
198165-51160	70	31
198165-51310	69	2
198165-51411	68	6
198165-51421	68	7
198165-51450	68	8
198165-51550	68	11
198165-51570	68	12
198165-52100	72	1
198165-52110	72	2
198165-52120	72	3
198165-52140	70	9
198165-52200	70	11

PARTS No.	Fig.	Ref.No.
198165-52250	70	12
198165-52500	73	4
198165-52600	73	5
198165-52701	78	4
198165-53140	71	1
198165-53190	71	2
198165-53510	71	3
198165-53520	71	5
198165-53530	71	4
		6
198165-56610	72	5
198165-56900	72	6
198165-56920	72	7
198165-58010	69	3
198165-58110	74	3
198165-58120	69	4
198165-58130	69	5
198165-61040	75	1
198165-61200	74	10
198165-61400	74	12
198165-61441	74	14
198165-61451	74	15
198165-61501	75	4
198165-61531	75	5
198165-61541	75	6
198165-61550	75	7
198165-61562	75	2
198165-61780	74	19
198165-61790	75	16
198165-61810	74	20
198165-61830	75	17
198165-61840	74	22
198165-61850	74	23
198165-61860	74	24
198165-61910	74	29
198165-61920	74	31
198165-62251	76	13
198165-62410	76	16
198165-62440	76	18
198165-62460	77	7
198165-62480	77	9
198165-63900	78	2
198165-63981	78	5
198165-64050	75	19
198165-64060	75	20
198165-64070	75	21
198165-64250	75	22
198165-64260	75	23
198165-64570	75	3
198165-64701	78	6

PARTS No.	Fig.	Ref.No.
198165-64751	78	7
198165-64810	78	3
198165-65150	85	19
198165-65170	79	7
198165-65220	85	20
198165-65280	85	22
198165-65470	79	9
198165-65580	79	13
198165-65590	79	15
198165-65640	85	25
198165-65690	79	19
	85	26
198165-71101	82	1
198165-71110	82	2
198165-71120	82	7
198165-71130	82	8
198165-71140	82	3
198165-71180	82	4
198165-71190	82	5
198165-71200	82	6
198165-72111	82	9
198165-72120	82	10
198165-72130	82	11
198165-72140	82	12
198165-72150	82	13
198165-72170	82	14
		20
198165-72180	82	15
		21
		30
198165-72190	82	16
		22
198165-72211	82	19
198165-72220	82	23
198165-72250	82	17
		24
198165-72260	82	18
		25
198165-73111	82	26
198165-73120	82	27
198165-73310	82	28
198165-74610	82	29
198165-74620	82	36
198165-74630	82	31
198165-74640	82	32
198165-74650	82	33
198165-74660	82	34
198165-74670	82	35
198165-75200	83	5
198165-75210	83	6

PARTS No. INDEX

PARTS No.	Fig.	Ref.No.
198165-75250	83	7
198165-75260	83	8
198165-75400	83	1
198165-75720	83	13
198165-85300	84	3
198165-85950	84	4
198167-00510	17	1
198167-00670	17	11
198167-00730	17	14
198167-00810	17	15
198167-01120	18	2
198167-14620	29	2
198167-17300	31	7
198167-17660	33	1
198167-17670	33	2
198167-21210	34	3
198167-21410	34	14
198167-22110	34	16
198167-24150	35	10
198167-24300	36	3
198167-24330	36	8
198167-24340	36	9
198167-24350	36	10
198167-24360	36	11
198167-24370	36	12
198167-24380	36	13
198167-24390	36	4
198167-24400	36	14
198167-24410	36	15
198167-24440	49	2
198167-24500	36	18
198167-24530	49	4
198167-24710	50	2
198167-24950	36	25
198167-24960	35	12
198167-25100	37	1
198167-25170	38	1
198167-25710	53	1
198167-25740	39	3
198167-25750	39	4
198167-25770	39	5
198167-26050	40	3
198167-26090	40	4
198167-26110	40	5
198167-26131	40	6
198167-26160	41	5
198167-26170	41	6
198167-26190	41	9
198167-26211	41	13
198167-26220	41	14

PARTS No.	Fig.	Ref.No.
198167-26230	41	15
198167-26240	41	17
198167-26250	41	18
198167-26310	41	20
198167-26330	41	21
198167-26340	41	22
198167-26500	44	1
198167-26510	44	2
198167-26520	44	3
198167-26530	44	4
198167-26540	44	5
198167-26550	44	6
198167-26580	44	7
198167-27450	76	4
198167-27480	46	4
198167-27490	46	5
198167-27510	46	6
198167-27521	46	7
198167-27530	46	8
198167-27580	45	1
198167-27630	45	2
198167-27640	45	3
198167-27650	45	4
198167-27680	45	5
198167-27690	45	6
198167-27720	47	3
198167-27730	47	4
198167-27770	47	6
198167-27780	47	7
198167-27810	47	9
198167-27850	47	11
198167-27930	47	13
198167-28210	48	2
198167-28220	48	3
198167-28240	48	6
198167-28250	48	7
198167-28270	48	8
198167-28280	48	9
198167-28290	48	10
198167-28310	48	11
198167-28370	48	24
198167-29010	50	6
198167-29310	51	8
198167-29330	51	14
198167-29340	51	15
198167-29390	51	16
198167-29410	52	10
198167-29610	52	26
198167-29640	52	27
198167-29710	52	28

PARTS No.	Fig.	Ref.No.
198167-29710	52	35
198167-29750	52	22
		29
198167-29910	67	1
198167-29950	33	7
198167-29970	33	8
198167-29980	33	9
198167-33130	55	3
198167-35450	58	16
198167-35530	59	1
198167-35550	59	2
198167-37350	61	6
198167-37711	61	17
198167-48320	67	5
198167-48340	67	6
198167-51310	69	2 -1
198167-52600	70	20
198167-56300	72	4
198167-61600	75	8
198167-61660	75	13
198167-61680	75	15
198167-61910	77	2
198167-62430	76	17
198167-62450	77	5
198167-62460	77	8
198167-65240	85	21
198174-63100	88	1
198174-63200	88	2
198174-63210	88	3
198174-63220	88	4
198174-63230	88	5
198174-63240	88	6
198174-63250	88	7
198174-63260	88	8
198174-64100	89	1
198174-64110	89	2
198174-64130	89	57
198174-85110	89	3
198174-85120	89	4
198174-85130	89	5
198174-85150	89	6
198174-85170	89	7
198174-85210	89	8
198174-85220	89	9
198174-85250	89	58
198174-85270	89	10
198174-85280	89	11
198174-85290	89	12
198174-85510	89	13
198174-85520	89	14

PARTS No.	Fig.	Ref.No.
198174-85530	89	15
198174-85550	89	16
198174-85610	89	17
198174-85620	89	20
198174-85630	89	23
198174-85640	89	26
198174-85660	89	18
		21
		24
		27
198174-85670	89	19
		22
		25
		28
198174-85710	89	29
198174-85720	89	30
198174-85730	89	31
198174-85740	89	32
		33
198174-85760	89	34
198174-85770	89	35
198174-85780	89	36
198174-85790	89	37
198174-85810	89	38
198174-85820	89	39
		40
198174-85830	89	41
		42
198174-85840	89	43
198174-85850	89	44
198174-85860	89	45
198174-85870	89	46
		47
198174-85880	89	48
		49
		50
198174-85890	89	51
		52
		53
198174-85910	89	54
198174-85920	89	55
198174-85930	89	56
198220-45340	65	1
198220-45350	65	23
198220-45370	65	24
198220-46400	65	25
198220-48140	7	39
	67	3
198220-52180	73	3
198220-52300	70	13

PARTS No. INDEX

PARTS No.	Fig.	Ref.No.
198220-62150	76	11
	77	4
198220-62890	77	16
198220-65410	85	23
	86	38
198221-13360	24	4
198223-46280	86	9
198223-52150	70	10
198223-52330	70	14
198223-52340	70	15
198223-52400	70	16
198223-52510	70	19
198223-57100	73	1
198223-57110	71	7
198223-57200	73	6
198223-65630	80	4
	85	24
198240-46250	87	2
198240-46260	87	3
198240-62451	77	6
198282-57200	73	6 -1
198290-32750	54	7
198360-52320	70	6
198360-52330	70	7
198361-48750	67	7
198421-00640	17	6
198421-00650	17	7
198421-01250	18	6
198421-04430	19	30
198421-13221	23	6
198421-13231	23	7
198421-13240	23	8
198421-13650	42	2
198421-14110	28	3
198421-14630	29	4
198421-24910	36	57
198421-27110	46	1
	47	1
198421-27240	46	2
198421-31510	53	3
198421-31520	53	4
198421-31530	53	5
198421-31550	53	6
198421-32660	54	6
198421-33110	55	1
198421-33140	55	4
198421-33170	55	5
198421-36310	60	1
198421-36321	60	2
		7

PARTS No.	Fig.	Ref.No.
198421-36380	60	4
		8
198421-36410	60	9
198421-37511	61	8
198421-45440	64	26
198421-61470	74	16
198421-61510	74	17
198421-61540	74	18
198421-61620	75	11
	77	1
198421-65030	79	1
198421-65160	79	5
198435-16230	21	7
	32	5
198435-45110	64	3
198435-45260	64	21
198435-45410	64	5
198435-45420	64	6
198531-14750	30	4
		13
1A6150-91251	80	3
1A6150-91321	80	6
1A6150-93151	80	5
1A6630-65570	79	12
1A6630-65610	79	16
1A6640-01460	52	13
1A6640-01650	52	1
		14
1A6640-01660	52	2
1A6640-01670	52	3
1A6640-01680	52	4
1A6640-01690	52	5
1A6640-04130	19	2
1A6640-04450	19	8
1A6640-04460	19	9
1A6640-05310	20	1
1A6640-05350	20	4
1A6640-05360	20	5
1A6640-05400	20	8
1A6640-05410	20	9
1A6640-05510	20	2
1A6640-05610	20	6
1A6640-05660	20	10
1A6640-05710	20	12
1A6640-05760	20	13
1A6640-11090	21	1
1A6640-14710	30	1
1A6640-14730	30	6
1A6640-14750	30	2
		11

PARTS No.	Fig.	Ref.No.
1A6640-14780	30	8
1A6640-14810	30	10
1A6640-21100	34	2
1A6640-24100	35	3
1A6640-25190	38	2
1A6640-25730	39	2
1A6640-27400	46	3
1A6640-27870	47	12
1A6640-29430	52	11
1A6640-29720	52	9
1A6640-34720	57	1
1A6640-34740	57	6
1A6640-34760	57	5
		14
1A6640-34770	57	8
1A6640-34820	57	10
1A6640-35100	58	1
1A6640-35110	58	2
1A6640-35210	58	3
1A6640-35260	58	5
1A6640-35350	58	7
1A6640-35401	58	13
1A6640-35411	58	15
1A6640-37300	61	4
1A6640-37400	61	7
1A6640-37550	61	9
1A6640-37600	61	11
1A6640-37640	61	42
1A6640-37650	61	22
1A6640-37690	61	14
1A6640-37700	61	16
1A6640-37760	61	18
1A6640-42100	62	1
1A6640-42110	62	2
1A6640-42200	62	9
1A6640-42210	62	10
1A6640-43310	63	1
1A6640-43320	63	2
1A6640-43330	63	3
1A6640-43410	63	4
1A6640-44110	63	5
1A6640-44210	63	6
1A6640-44230	63	7
1A6640-44250	63	8
1A6640-44410	63	9
1A6640-44430	63	10
1A6640-44530	63	11
1A6640-45100	64	1
1A6640-45110	64	2
1A6640-45150	64	17

PARTS No.	Fig.	Ref.No.
1A6640-45160	64	19
1A6640-45210	64	10
1A6640-45230	64	16
1A6640-45500	64	7
1A6640-45530	64	8
1A6640-45540	64	9
1A6640-45560	64	34
1A6640-45630	65	4
1A6640-46000	86	1
1A6640-46310	65	12
1A6640-46320	65	13
1A6640-46620	65	14
1A6640-46840	86	18
1A6640-47210	66	1
1A6640-47260	66	2
1A6640-47310	66	3
1A6640-47350	66	4
1A6640-47410	66	6
1A6640-47460	66	8
1A6640-47510	66	9
1A6640-47520	66	10
1A6640-47550	66	12
1A6640-47630	66	14
1A6640-47650	66	15
1A6640-47710	66	16
1A6640-47780	66	17
1A6640-47810	66	18
1A6640-48110	67	2
1A6640-51510	68	9
1A6640-51520	68	10
1A6640-52420	70	17
1A6640-52430	70	18
1A6640-61100	74	4
1A6640-61101	74	4 -1
1A6640-61300	74	6
1A6640-61450	74	7
1A6640-61460	74	8
1A6640-61820	74	21
1A6640-61870	74	25
1A6640-61880	74	26
1A6640-61900	74	27
1A6640-61910	74	28
1A6640-61920	74	30
1A6640-61930	74	32
1A6640-61940	74	33
1A6640-61960	77	22
1A6640-61970	77	30
1A6640-62080	77	3
1A6640-62180	76	12
1A6640-62300	76	14

PARTS No. INDEX

PARTS No.	Fig.	Ref.No.
1A6640-62310	76	15
1A6640-62490	77	10
1A6640-62500	77	11
1A6640-62660	77	14
1A6640-62700	77	15
1A6640-62930	77	17
1A6640-62960	77	18
1A6640-62970	77	19
1A6640-62980	77	20
1A6640-62990	77	21
1A6640-64310	74	34
1A6640-64940	77	31
1A6640-64960	77	23
1A6640-64970	77	24
1A6640-64980	77	32
1A6640-65220	79	8
1A6640-65410	83	4
1A6640-65510	79	10
1A6640-65530	79	11
1A6640-65570	79	21
1A6640-65610	79	20
1A6640-65660	79	18
1A6640-75100	83	3
1A6640-75510	81	1
1A6640-85200	84	1
1A6640-85250	84	2
1A6641-57110	73	23
1A6641-61400	74	13 -1
1A6680-56900	72	6 -1
1A6680-56920	72	7 -1
1A6780-13700	26	2 -1
1A6780-13890	26	16 -1
1A7510-47760	76	9 -1
1C1100-21010	31	6
1C6140-14050	43	1
	61	2
1C6220-32250	42	7
1C6281-52310	86	36
1C6281-52320	18	9
	49	13
	58	9
	61	24
		25
1C6320-56150	86	37
1C6360-82210	74	36
1C6460-07510	70	1
1C6557-82600	61	26
1C6560-06300	68	1
1C6560-13170	41	1
1C6650-35150	76	5

PARTS No.	Fig.	Ref.No.
1C6650-37480	74	5
1C6720-73330	59	3
1C6740-06250	70	27
1C6900-55010	77	29
1C7100-08150	73	1 -1
1D4110-13870	26	12
1E6102-84970	68	16
	72	8
	87	18
1E6190-54080	26	15
	43	8
	48	13
1E6190-54430	38	3
	39	8
	41	23
1E6191-54330	41	11
1E6217-56160	36	22
1E6330-54490	41	29
1E6710-54450	41	25
1E6710-54460	41	27
1E6740-54440	41	24
1E6740-54450	41	26
1E6740-54470	41	28
1E6820-54560	39	9
719255-53100	13	1
719610-01560	1	1
719620-02800	1	19
719620-02870	1	30
719620-02930	1	22
719620-11650	4	39
719620-11660	4	43
719620-22500	8	28
719620-23100	8	41
719620-23600	8	47
719620-23610	8	65
719621-51100	11	1
719623-01560	1	2
719660-11702	4	4
719660-14590	7	18
X0280210331	15	26
X0280335350	15	37
X0280626010	15	15
X0280996180	15	6
X0281007750	15	5
X0282005991	15	9
X0283006960	15	10
X0284105010	15	16
X0284525010	15	30
X0285005750	15	13
X0285105190	15	7

PARTS No.	Fig.	Ref.No.
X0285205030	15	8
X0286105010	15	18
X0286305010	15	20
X0286355010	15	21
X0287405140	15	22
X1289510130	15	38
X1534006130	15	23
X2284007470	15	11
X9055715000	15	24
X9490065670	15	36
X9490138090	15	28
X9490138100	15	29
X9490138110	15	27
X9490423420	15	33
X9490560750	15	32
X9490561001	16	3
X9490562360	15	31
X9490721360	15	25
X9491034320	15	19
X9491034330	15	17
X9491040990	15	14
X9491050100	15	12

PARTS No.	Fig.	Ref.No.
-----------	------	---------



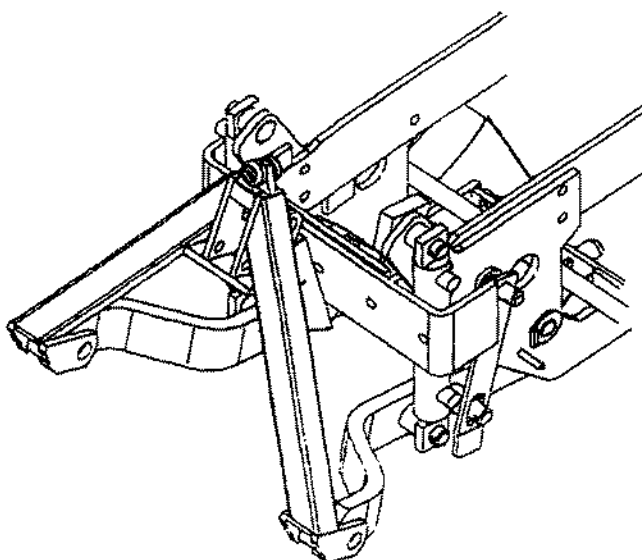
YANMAR CO., LTD.

Ersatzteilliste
Spare part list
Liste de pièces de rechange

Yanmar

Frontaushebung
Maulkupplung

(3510.02)
(3511)



Frontaushebung - Kuppeldreieck (3510.02)
Front lifting system - Triangular coupling assy (3510.02)
Ensemble relevage avant - à trois points (3510.02)

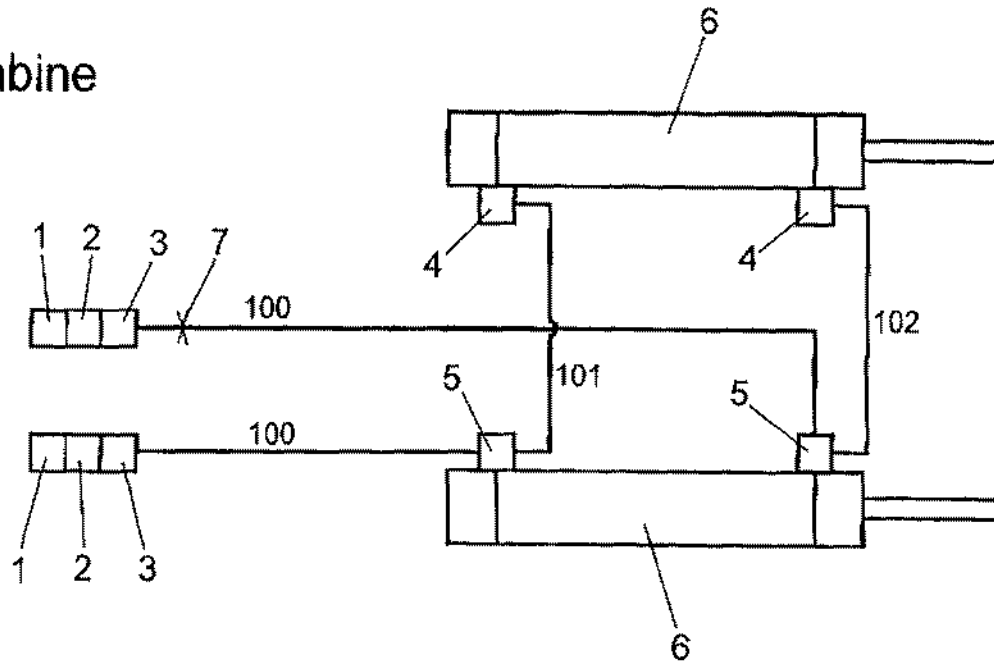
Bild Item Rép.	Best.-Nr. FN Réf. No.	Stck. Qty. Qté.	Teilbezeichnung	Description	Désignation	Abmessungen Measurement Mesurage	DIN ISO
1	05-322	4	6kt-Schraube	Hex. bolt	Vis à 6 pans	M 12x40	939
2	02-788	4	Splint	Cotter pin	Goupille fendue	5x40	94
3	104-355	2	Hydraulikzylinder	Hydraulic cylinder	Cylindre hydraulique		
4		1	6.kt-Schraube	Hex. bolt	Vis à 6 pans	M 12x280	933
5	05-377	9	Scheibe	Washer	Rondelle	B 13	125
6	104-385	1	Flansch, rechts	Flange, R.H.	Flasque, à droite		
7	05-149	9	6kt-Mutter	Hex. nut	Ecrou à 6 pans	M 12	985
8	12-536	1	Sicherungsring	Retaining ring	Circlips	22x1,2	471
9		2	Paßscheibe	Adjusting shim	Cale de réglage	25x35x1	988
10	05-376	2	Scheibe	Washer	Rondelle	B 10,5	125
11	05-150	2	6kt-Mutter	Hex. nut	Ecrou à 6 pans	M 10	985
12	12-369	4	6kt-Schraube	Hex. bolt	Vis à 6 pans	M 10x35	933
13	02-788	1	Splint	Cotter pin	Goupille fendue	5x40	94
14	104-360	1	Flansch, Oberlenker	Flange, top pitman	Flasque direction de en'haut		
15	71-009	5	Klappstecker	Folding plug	Broche	5x32	11023
16	50-022	12	Pressklemme	Press clamp	Pièce de pression	2,5	3033
17	50-021	5	Rundlitzenseil	Round strand rope	Corde circulaire	Ø 2 /800 lg.	
18	104-364	1	Steckbolzen	Socket pin	Boulon à canon		
19	02-591	1	Schmiernippel	Grease nipple	Graisser	AM 8x1	71412
20	104-337	1	Kuppeldreieck	Coupler rack	Triangle d'attelage		
21	92-141	1	Blattfeder	Leaf spring	Ressort		
22	74-127	1	Federstecker	Spring clamp	Broche	2,5	11024
23	92-134	3	Steckbolzen	Plug-in pin	Axe		
24	92-113	2	Abstandsring	Spacer ring	Anneau de distance		
25	92-140	1	Lasche	Plate	Ferrure		
26	05-340	2	Federring	Lock washer	Rondelle frein	6	
27	05-301	2	6kt-Schraube	Hex. bolt	Vis à 6 pans	M 6x16	933
28	104-381	1	Augenschraube	Eye bolt	Vis à oeil		
29	104-310	1	Oberlenker	Top pitman	Direction de en'haut		
30	74-320	4	Scheibe	Washer	Rondelle	A 23	125
31	92-136	1	Gummipuffer	Rubber pad	Amortisseur en caout- chouc		
32		1	Scheibe	Washer	Rondelle		
33		1	Halter	Holder	Support		
34	05-150	2	6kt-Mutter	Hex. nut	Ecrou à 6 pans	M 10	985
36	05-376	2	Scheibe	Washer	Rondelle	B 10,5	125
36	104-387	1	Flansch, links	Flange, L.H.	Flasque, à gauche		
37	104-364	1	Bolzen	Bolt	Boulon		
38	13-993	1	Splint	Cotter pin	Goupille fendue	4x32	94
39	05-376	1	Scheibe	Washer	Rondelle	B 10,5	125
40	04-504	1	Kronenmutter	Castle nut	Ecrou à crenaux	M 20	937
41	104-356	1	Lasche	Holder	Ferrure		
42	90-020	1	Spannstift	Spring dowel sleeve	Goujon de tension	5x40	1481
43	104-386	1	Unterlenker	Under pitman	Direction de dessous		

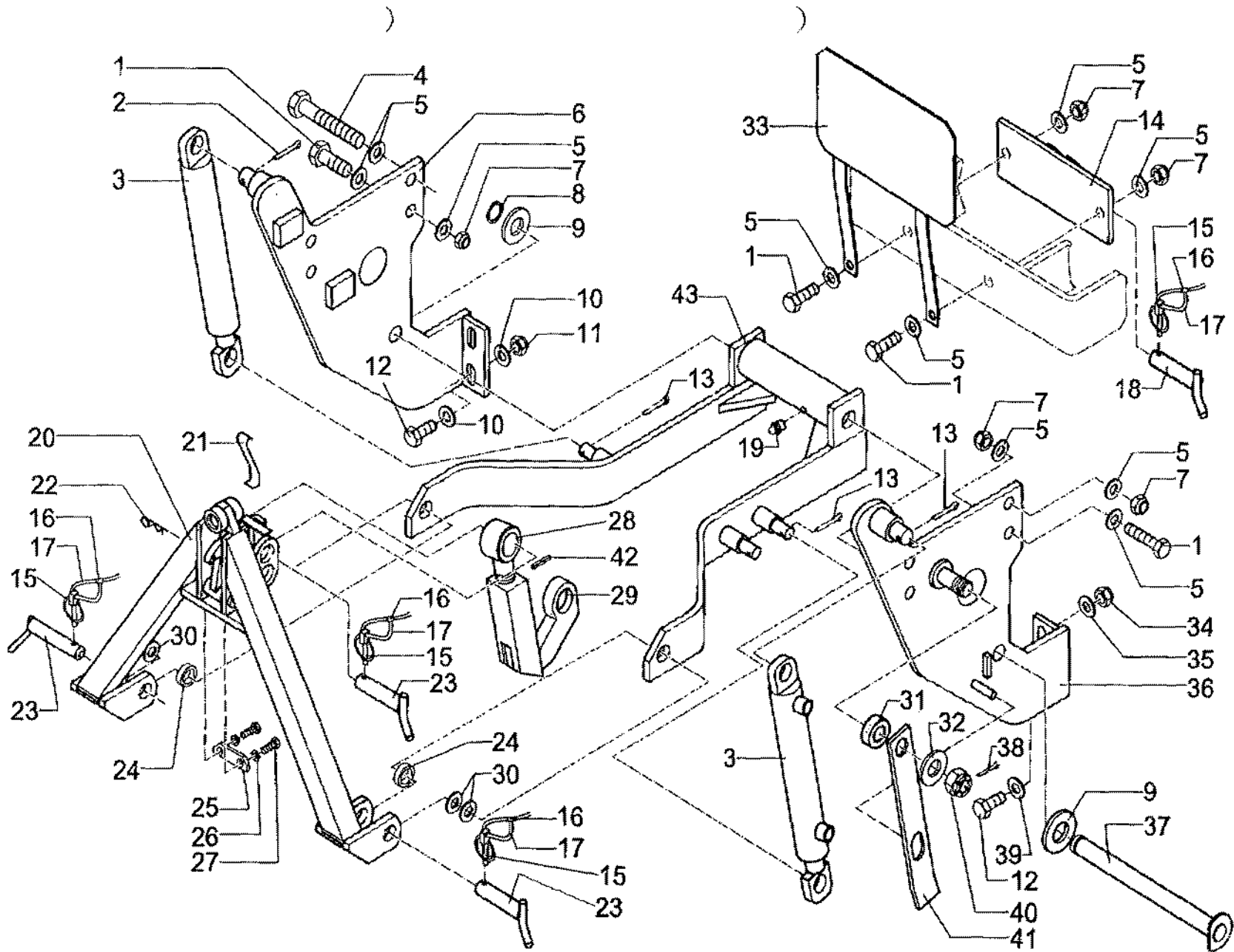
Fahrtrichtung



Frontaushebung

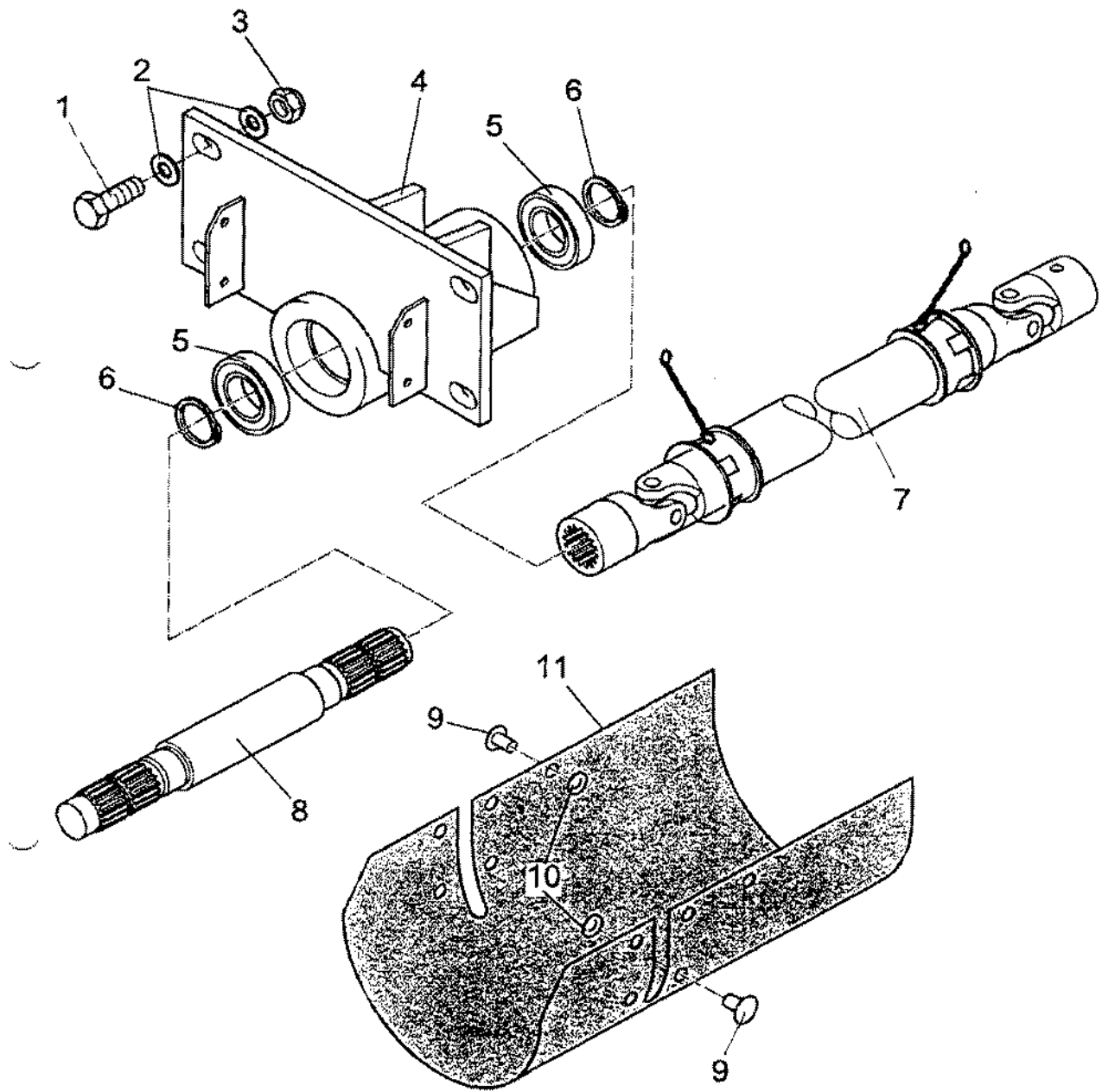
Kabine





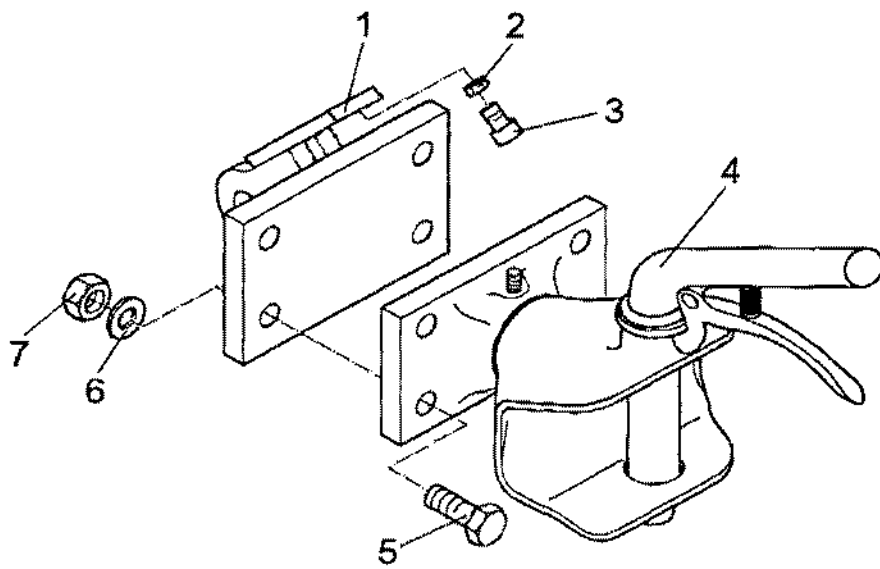
Hydraulik (3510.02)
Hydraulic (3510.02)
Hydraulique (3510.02)

Bild Item Rép.	Best.-Nr. PN Rét. No.	Stck. Qty. Qté.	Teilbezeichnung	Description	Désignation	Abmessungen Measurement Mesurage	DIN ISO
1	104-383	2	Kupplungsmuffe	Coupling sleeve	Manchon de accouplement		
2	105-652	2	Hydraulikstecker	Hydraulic connector	Jonction hydraulique	SVK BG 1 Typ IRV 1/4"	
3		2	Ger.-Einschraubverschraubung	Straight coupling	Embout rectiligne	GE 10 L/1/4"	
4	104-366	2	Hohlschraube	Hollow screw	Vis à creux	M 14x1,5	7643
5	104-367	2	Hohlschraube	Hollow screw	Vis à creux	M 14x1,5	7643
6	104-355	2	Hydraulikzylinder	Hydraulic cylinder	Cylindre hydraulique		
7	87-205	1	Drosselscheibe	Flow reducing	Pièce d'entrangement	Ø 10/12	
100	104-368	2	Hydraulikschlauch	Hydraulic hose	Tuyau de hydraulique	900 mm lg	
101	104-369	1	Hydraulikschlauch	Hydraulic hose	Tuyau de hydraulique	770 mm lg	
102	104-370	1	Hydraulikschlauch	Hydraulic hose	Tuyau de hydraulique	770 mm lg	



Gelenkwellenlager (3510.02)
Cardan shaft bearing (3510.02)
Palier de arbre de cardan (3510.02)

Bild Item	Best.-Nr. PN	Stck. Qty.	Teilbezeichnung	Description	Désignation	Abmessungen Measurement Mesurage	DIN ISO
Rép.	Réf. No.	Qté.					
1	12-369	4	6kt-Schraube	Hex. bolt	Vis à 6 pans	M 10x35	933
2	05-376	8	Scheibe	Washer	Rondelle	B 10,5	125
3	05-150	4	6kt-Mutter	Hex. nut	Ecrou à 6 pans	M 10	985
4	104-388	1	Lagergehäuse	Case bearing	Corps de palier		
5	07-755	2	Kugellager	Ball bearing	Roulement à billes	6205-2 RS	625
6	02-246	1	Sicherungsring	Retaining ring	Circlips	25x1,2	471
7		1	Gelenkwelle	Cardan shaft	Arbre de cardan		
8	104-343	1	Profilwelle	Profile shaft	Arbre profilé		
9		10	Blindniet	Blind rivet	Rivet	5x10	7337
10	55-552	10	Scheibe	Washer	Rondelle	5,3-140	9021
11	104-353	1	Gummiabdeckung	Covering	Capot		



Maukupplung (3511)
Trailer coupling (3511)
Accouplement de attelage (3511)

Bild Item Rép.	Best.-Nr. PN Réf. No.	Stok Qty. Qté.	Teilbezeichnung	Description	Désignation	Abmessungen Measurement Mesurage	DIN ISO
1		1	Anhängebock	Trailer coupling	Accouplement de fixation		
2	05-337	1	6kt-Mutter	Hex. nut	Ecrou à 6 pans	M 12	934
3	87-326	1	Zylinderschraube	Hex. socket head cap screw	Vis à tête cylindrique creux	M 12x40	912
4	62-228	1	Anhängekupplung	Trailer coupling	Accouplement de attelage		
5	73-145	1	6kt.-Schraube	Hex. bolt	Vis à 6 pans	M 14x45	933
6	05-344	1	Federring	Lock washer	Rondelle frein	14	
7	05-338	1	6kt-Mutter	Hex. nut	Ecrou a 6 pans	M 14	934